

TOSHIBA

FILE NO. 030-200208

SERVICE MANUAL

COLOUR TELEVISION

C01P Chassis

42WT29B
50WT29B

TABLE OF CONTENTS

CHAPTER 1 GENERAL ADJUSTMENTS

SAFETY INSTRUCTIONS	3
CRT ASSEMBLY REPLACEMENT AND MOUNTING	4
PICTURE TUBE COMPONENTS ADJUSTMENT	6
SERVICE POSITION	9
SERVICE MODE	10
DESIGN MODE	13
ELECTRICAL ADJUSTMENT	14
CONVERGENCE ADJUSTMENT	15
SCREEN AND MIRROR ALIGNMENTS	24
CIRCUIT CHECKS	25

CHAPTER 2 SPECIFIC INFORMATIONS

SETTING & ADJUSTING DATA	26
LOCATION OF CONTROLS	27
MECHANICAL DISASSEMBLY	29
CHASSIS AND CABINET REPLACEMENT PARTS LIST	35
PC BOARDS LAYOUT TOP VIEW	66
PC BOARDS BOTTOM VIEW	67
TERMINAL VIEW OF TRANSISTORS	80
CIRCUIT BLOCK DIAGRAM	82
SPECIFICATIONS	END

APPENDIX:

CIRCUIT DIAGRAM

SAFETY INSTRUCTIONS

WARNING: BEFORE SERVICING THIS CHASSIS, READ THE “X-RAY RADIATION PRECAUTION”, “SAFETY PRECAUTION” AND “PRODUCT SAFETY NOTICE” INSTRUCTIONS BELOW.

X-RAY RADIATION PRECAUTION

1. Excessive high voltage can produce potentially hazardous X-RAY RADIATION. To avoid such hazards, the high voltage must not be above the specified limit. The nominal value of the high voltage of this receiver is (A) kV at zero beam current (minimum brightness) under a (C) V AC power source. The high voltage must not, under any circumstances, exceed (B) kV.

Refer to table-1 for high voltage (A), (B) & AC voltage (C).
(See SETTING & ADJUSTING DATA on page 26)
2. The only source of X-RAY RADIATION in this TV receiver is the picture tube. For continued X-RAY RADIATION protection, the replacement tube must be exactly the same type tube as specified in the parts list.
3. Some part in this receiver have special safety-related characteristics for X-RAY RADIATION protection. For continued safety, parts replacement should be undertaken only after referring to the PRODUCT SAFETY NOTICE below.

Each time a receiver requires servicing, the high voltage should be checked following the HIGH VOLTAGE CHECK procedure in this manual. It is recommended that the reading of the high voltage be recorded as a part of the service record. It is important to use an accurate and reliable high voltage meter.

SAFETY PRECAUTION

WARNING : Service should not be attempted by anyone unfamiliar with the necessary precautions on this receiver. The following are the necessary precautions to be observed before servicing this chassis.

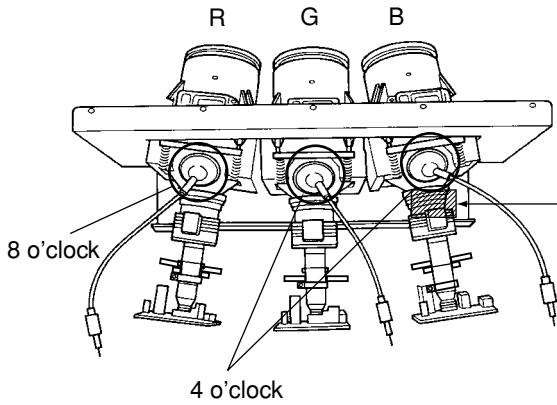
1. An isolation transformer should be connected in the power line between the receiver and the AC line before any service is performed on the receiver.
2. Always discharge the picture tube anode to the CRT conductive coating before handling the picture tube. The picture tube is highly evacuated and if broken, glass fragments will be violently expelled. Use shatter proof goggles and keep picture tube away from the unprotected body while handling.
3. When replacing a chassis in the cabinet, always be certain that all the protective devices are put back in place, such as; non-metallic control knobs, insulating covers, shields, isolation resistor-capacitor network etc.

PRODUCT SAFETY NOTICE

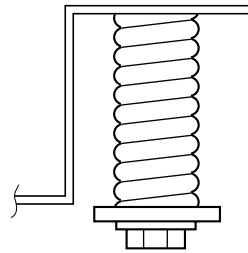
Many electrical and mechanical parts in this chassis have special safety-related characteristics. These characteristics are often passed unnoticed by a visual inspection and the protection afforded by them cannot necessarily be obtained by using replacement components rated for higher voltage, wattage, etc. Replacement parts which have these special safety characteristics are identified in this manual and its supplements; electrical components having such features are identified by the international hazard symbols on the schematic diagram and the parts list. Before replacing any of these components, read the parts list in this manual carefully. The use of substitute replacement parts which do not have the same safety characteristics as specified in the parts list may create shock, fire, X-ray radiation or other hazards.

CRT ASSEMBLY REPLACEMENT AND MOUNTING

CAUTION : DO NOT LOOSEN THE HEX HEAD BOLTS WITH SPRINGS (12 PCS), BECAUSE THOSE ARE FOR SEALING OF CRT COOLANT.

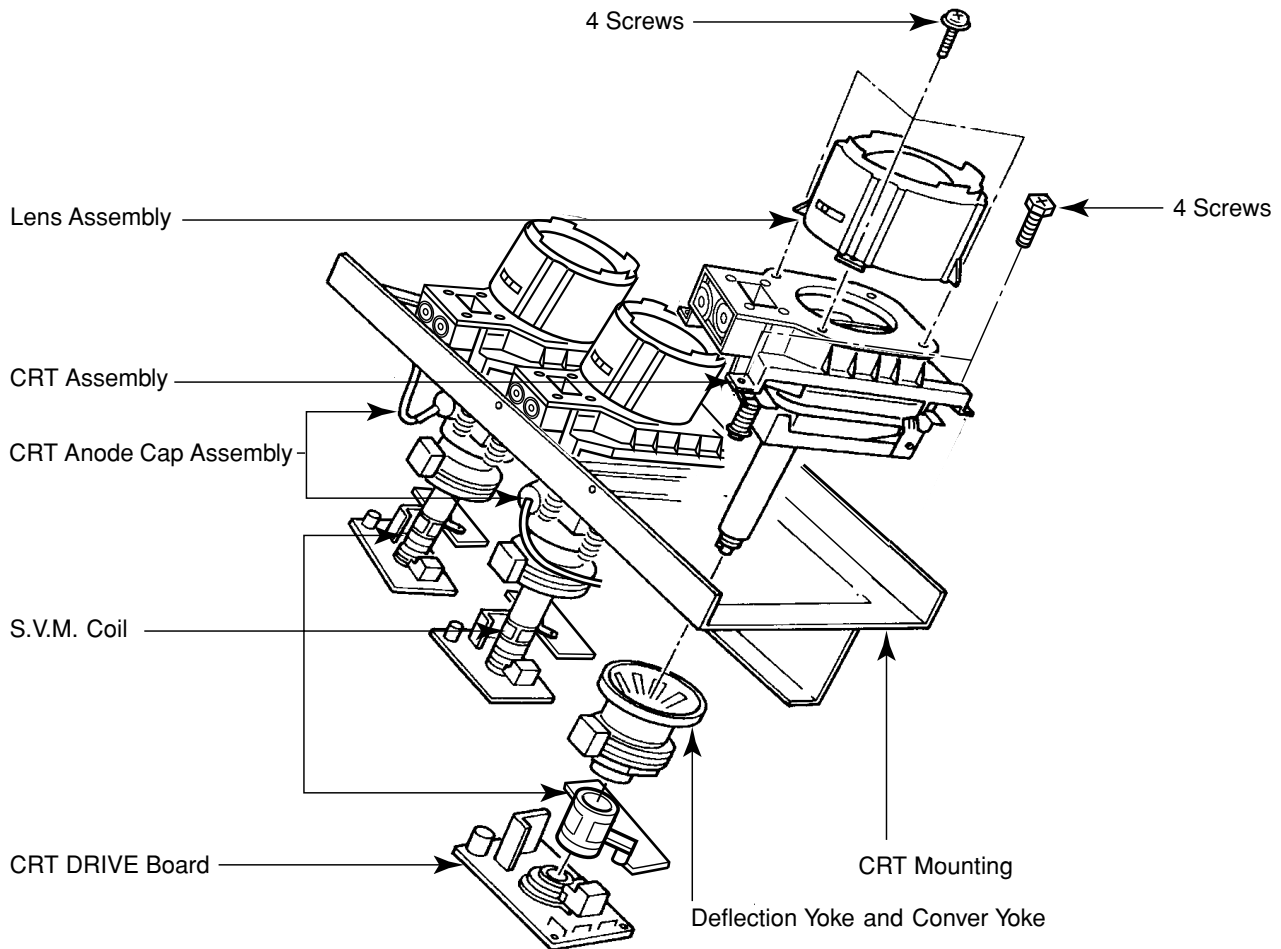


Attention Serviceman



The Hex Head Bolts with Springs. (see sketch) used on CRT assembly, are **“NOT”**

Adjustment Screws
DO NOT LOOSEN-FLUID LEAKAGE WILL OCCUR.



Lens and Neck Components View

TO REMOVE CRT (Same procedure for R, G, B)

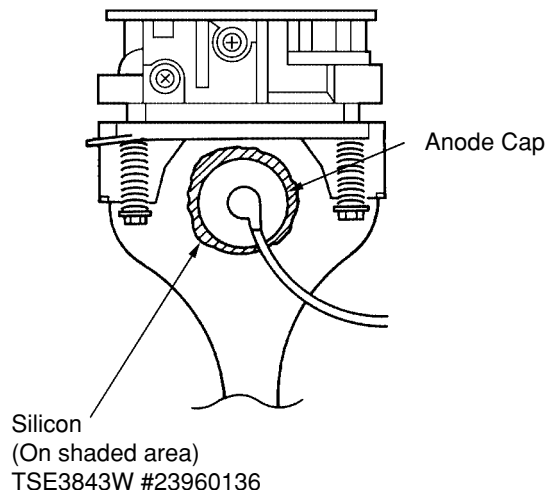
1. Remove CRT DRIVE Board, S. V. M. COIL and DEF. YOKE from CRT.
2. Remove Lens Assembly.
3. Detach CRT Anode Cap from CRT.
4. Remove CRT Assembly from CRT Mounting.

CRT REPLACEMENT (Same procedure for R, G, B)

Reverse the removal procedures except the followings.

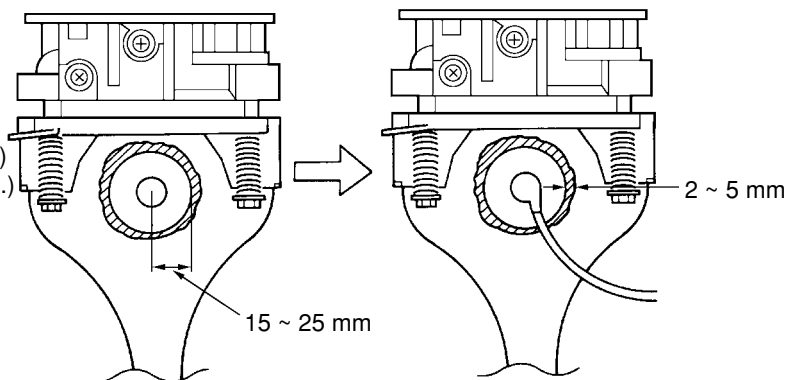
1. Anode Cable should be replaced with new one. See "SERVICING PRECAUTIONS" shown below.
2. Install silicon (T461B) to the CRT, replace the Anode cable and put enough silicon again on around the Anode Cap as illustrated.

CAUTION: Align the Anode cable as illustrated on page 4.



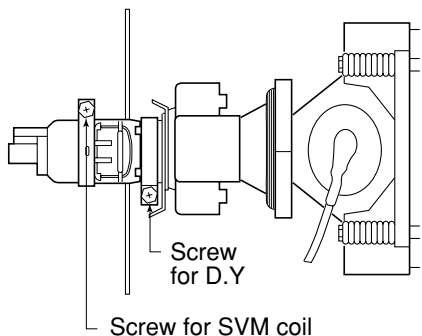
ADJUSTING PROCEDURE IN REPLACING CRT

1. R.G.B. CUTOFF (SCREEN VR) ADJUSTMENT (page 6.)
 2. R.G.B. FOCUS ADJUSTMENT (page 6.)
 3. PICTURE TILT ADJUSTMENT (page 7.)
 4. USER CONVERGENCE CENTER CHECK (Refer to owner's manual.)
 5. CENTERING ADJUSTMENT (page 7.)
 6. CONVERGENCE ADJUSTMENT (page 15.)
 7. WHITE BALANCE ADJUSTMENT (page 14.)
- Adjustments are complete.

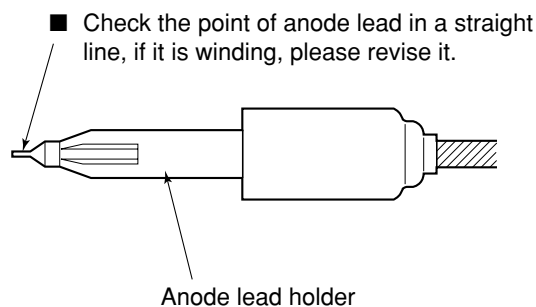


SERVICING PRECAUTIONS

- Do not use a magnetized screw driver for screws of Deflection Yoke and Velocity Modulation Coil to avoid magnetization of electron gun. Magnetization of electron gun will degrade basic function and result in unbalance of right and left shift of user static convergence, and result in no variable quantity.



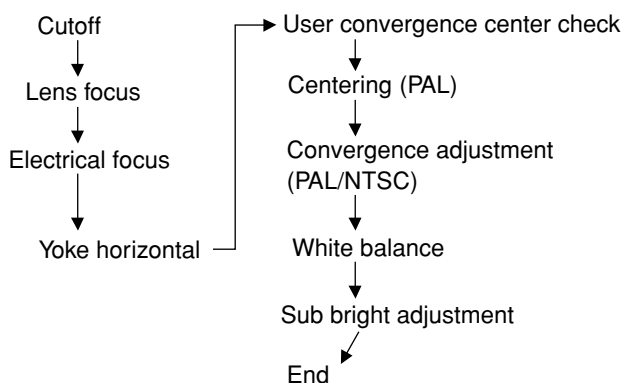
- When replacing the anode cap assembly (CRT) or anode lead assembly (F.B.T.), remove the anode lead holder from old one and attach the holder again to new anode lead.



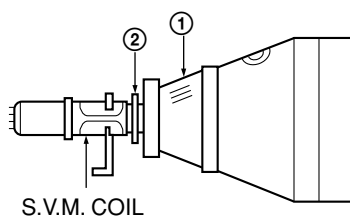
WARNING: BEFORE SERVICING THIS CHASSIS, READ THE "X-RAY RADIATION PRECAUTION", "SAFETY PRECAUTION" AND "PRODUCT SAFETY NOTICE" ON PAGE 3 OF THIS MANUAL.

PICTURE TUBE COMPONENTS ADJUSTMENT

ADJUSTING PROCEDURE IN REPLACING CRT



DESCRIPTION OF NECK COMPONENTS



- ① Deflection yoke and convergence yoke.
The position on the neck is required most front (CRT funnel side) and the screw is fastened after rotating yoke adjusting picture tilt.
- ② Centering magnet
After adjusting picture tilt, picture position is finally fixed by this magnet.
In order to get maximum margin of user convergence control for center of screen, this magnet have to be used for center convergence adjustment.

PREPARATION

Operate the receiver for at least 5 minutes.

R, G, B CUTOFF (SCREEN VR) ADJUSTMENT

1. Adjust before replace the screen assembly.
2. Set user control to reset position.
(CONTRAST → Max
BRIGHTNESS, COLOR, TINT → Center.)
3. Call up the adjustment mode display, then select the item RCUT.
4. Adjust the data of items **RCUT**, **GCUT**, and **BCUT** to "40H".
5. Press the button on Remote. (Y-MUTE : ON)
6. Gradually rotate R, G and B screen volume of FOCUS PAC clockwise or counterclockwise until the raster appears slightly on the CRT through the each lens, and leave them.
(Lookin to the lens in order to check the raster.)
7. Press the button on Remote. (Return to Normal Picture)

RGB FOCUS ADJUSTMENT

1. Call-up the adjustment mode (see page 10)
2. Press button on the remote controller in order to display the internally-generated cross-hatch (See TEST SIGNAL SELECTION on page 11.)
3. Expose only RED by covering the GREEN and BLUE lenses with caps.
4. Loosen the RED lens fixing screws (refer to Fig. a), and adjust the RED lens focus to obtain the sharpest point while observing the middle and peripheral sections of the screen.

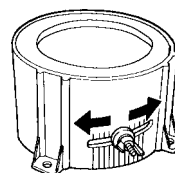


Fig. a

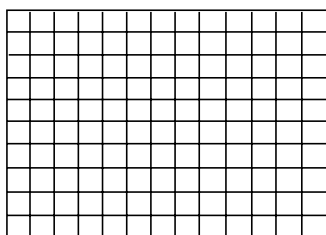
5. Use the focus VR of "R" of the focus pack in order to adjust the electric focus in the middle and peripheral sections of the screen to its sharpest level.
6. Check the RED focus of the whole screen and if necessary repeat steps 4 and 5.
7. Fix the RED lens by tightening its fixing screws.
8. Expose only GREEN by covering the RED and BLUE lenses with caps.
9. Display the internally-generated cross-hatch signal.
10. Adjust the GREEN lens focus on the left border of the screen to its sharpest level, then check the focus on the right border, and if it is at its sharpest level, fix it in that position by tightening the lens screws.

- (1) If the horizontal line toward the right border is red-flared, turn the lens screw slightly right in order to balance it with the left border. (After adjustment, the left border tends to be slightly green-flared, and the right border tends to be slightly red-flared.)
- (2) If the horizontal line toward the right border is green-flared, turn the lens screw slightly left in order to balance it with the left border. (After adjustment, the left border tends to be slightly red-flared, and the right border tends to be slightly green-flared.)

Note: The aim of the above-described adjustment procedure for the Green lens focus is to obtain the best lens focus after 2 - 3 hours of warming up taking into account the focus drift; it applies if the warming up time before the adjustment is less than 30 minutes. (The horizontal line in the screen middle section tends to be slightly red-flared.)

In case of warming up of more than 2 hours under a condition that the large anode current is running through the projection tube so that for example the all-white pattern appears, adjust to obtain the sharpest focus while observing the whole screen like in the RED case.

11. Press \ominus button on the remote controller in order to display the internally-generated black cross-hatch. (See TEST SIGNAL SELECTION on page 11.)
12. Use the focus VR of "G" of the focus pack in order to adjust the electric focus in the middle section of the screen to its sharpest level.



Note: Normally the most clearly visible point of the scanning line is the sharpest point of the Green focus, however as the characteristics vary depending on the projection tube, the sharpest focus points of the vertical and horizontal lines may not match each other, thus when you turn the focus VR, if the picture tends to be tremendously unstable (rolls horizontally or vertically), adjust the balance of the vertical and horizontal lines to its best position.

13. Check the GREEN focus of the whole screen and if necessary repeat steps 10 and 11.
14. Fix the GREEN lens by tightening up its fixing screws.
15. Expose only BLUE by covering the RED and GREEN lenses with caps.
16. Press \ominus button on the remote controller in order to display the internally-generated cross-hatch (See TEST SIGNAL SELECTION on page 11.)
17. Loosen the BLUE lens fixing screws (refer to Fig. a), and adjust the BLUE lens focus while observing the middle and peripheral screen sections.
18. Press \ominus button on the remote controller in order to display the internally-generated black cross-hatch (See TEST SIGNAL SELECTION on page 11.)
19. Use the focus VR of "B" of the focus pack in order to adjust the focus in the middle section of the screen to its sharpest level.
(The point of the Blue focus becomes sharpest when the brightness level of BLUE is lowest, the cross-hatch is clearly visible.)

Note: Keep in mind that only the BLUE electric focus is adjusted with the black cross-hatch.

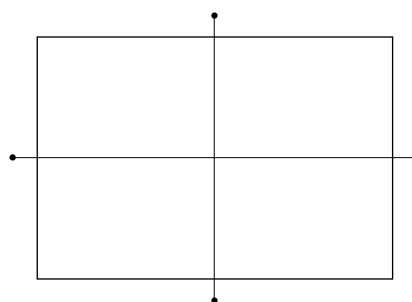
20. Check the BLUE focus of the whole screen and if necessary repeat steps 17 and 19.
21. Fix the BLUE lens by tightening its fixing screws.

TILT ADJUSTMENT

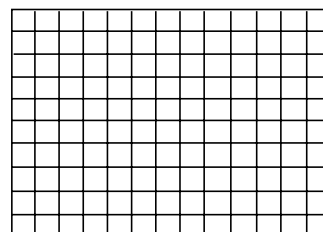
Rotate R, G, B deflection yoke so that picture becomes horizon, then fasten screw.

CENTERING ADJUSTMENT

1. Stretch a thread between two center of screen edge (top and bottom, left and right).



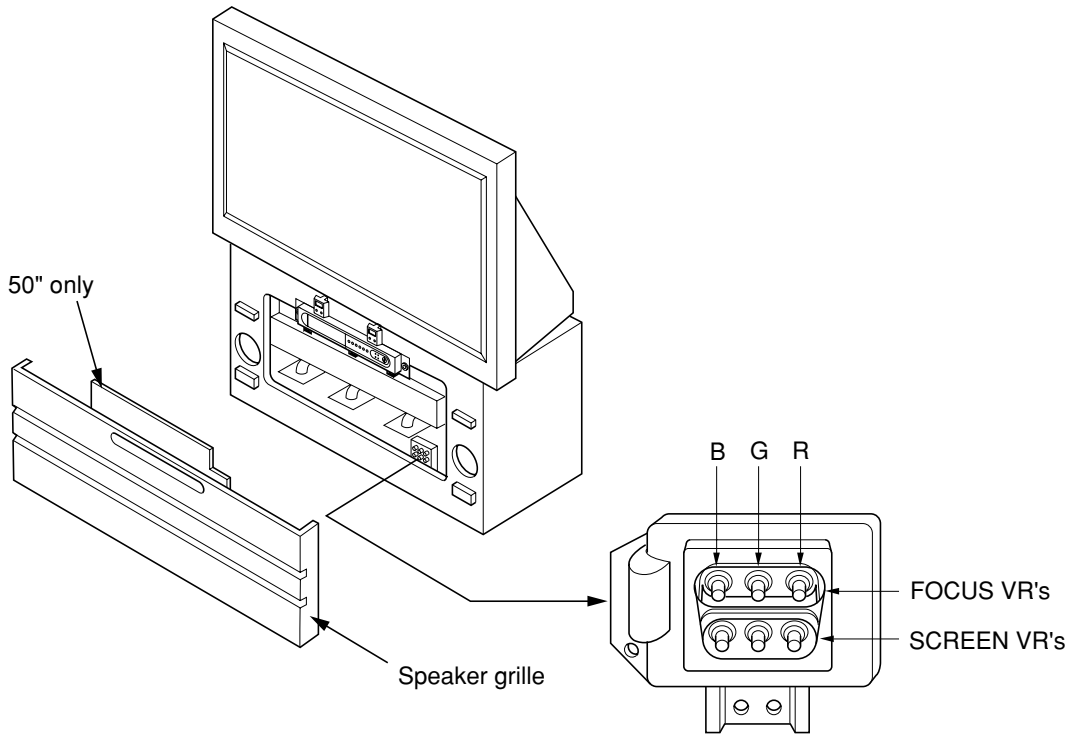
2. Select the adjustment mode. (See page 10.)
3. Press \ominus button on the Remote Control to display the black cross-hatch.



4. Adjust G centering magnet so that the cross-hatch pattern center comes to screen center.
5. Perform HEIGHT adjustment. (See page 14.)
6. Perform WIDTH adjustment. (See page 14.)
7. Check whole quality of green line.
8. Adjust R, B centering magnet so that the cross-hatch pattern center comes to screen center.

LOCATION OF SCREEN AND FOCUS VR'S

To remove the Speaker grille and Front panel.



REPLACEMENT OF HIGH VOLTAGE CABLE

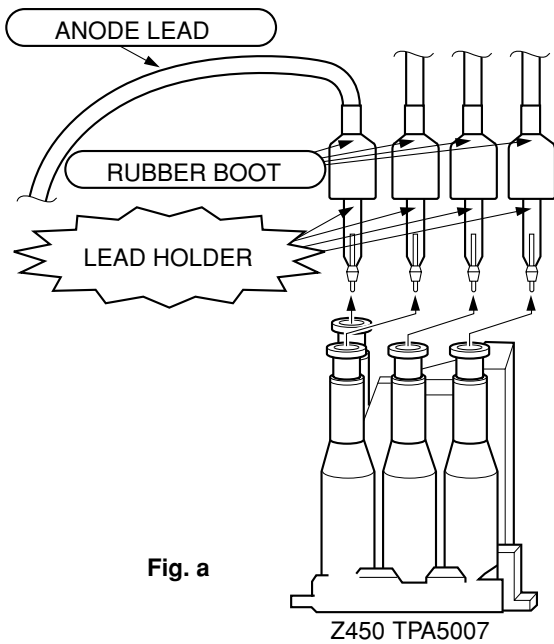


Fig. a

1. When replacing Anode Lead or Anode Cap with new one, remove Lead Holder from old lead as shown in figure below, and put it on new lead. Do not throw away Lead Holder.

NOTE : THE LEAD HOLDER IS ATTACHED TO TPA5007 (Z450), BUT IS NOT ATTACHED TO ANODE LEAD AND ANODE CAP. RUBBER BOOT IS ATTACHED TO ANODE LEAD AND ANODE CAP.

2. Detaching Lead Holder

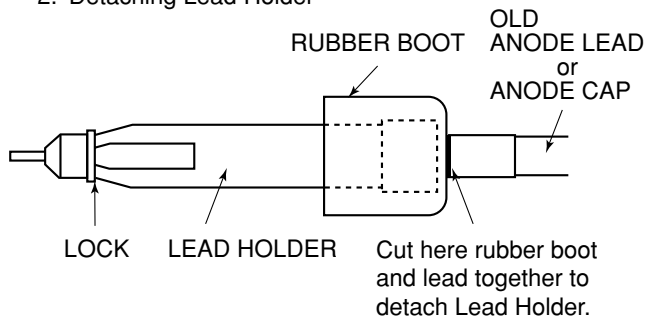


Fig. b

WARNING: BEFORE SERVICING THIS CHASSIS, READ THE "X-RAY RADIATION PRECAUTION", "SAFETY PRECAUTION" AND "PRODUCT SAFETY NOTICE" ON PAGE 3 OF THIS MANUAL.

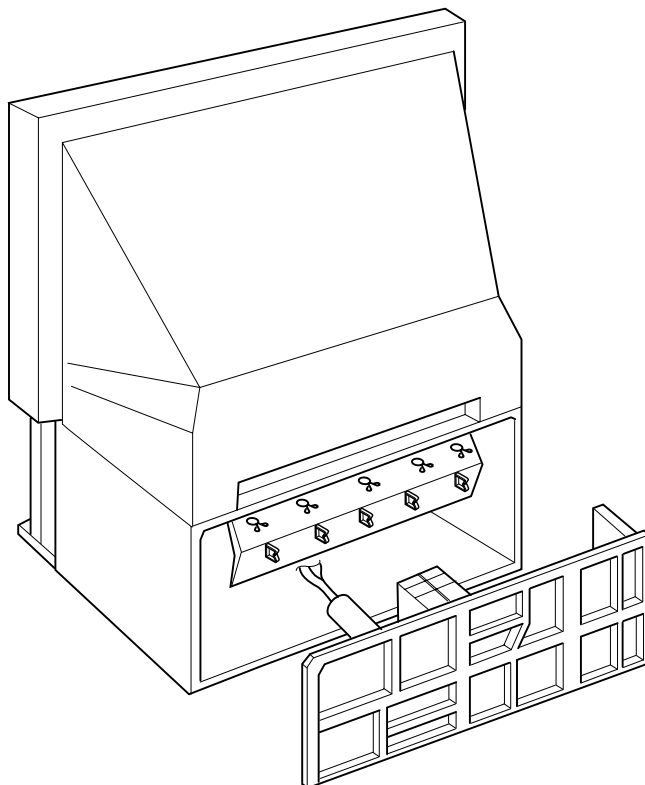
SERVICE POSITION

In order to assure the performance, processed wires shall be replaced after the repair work.

Work procedures are as follows:

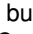


1. Remove the back board.
2. Remove lead wires.
3. Draw out the chassis.
4. Rest the chassis against the back cabinet, chassis as shown bellow.

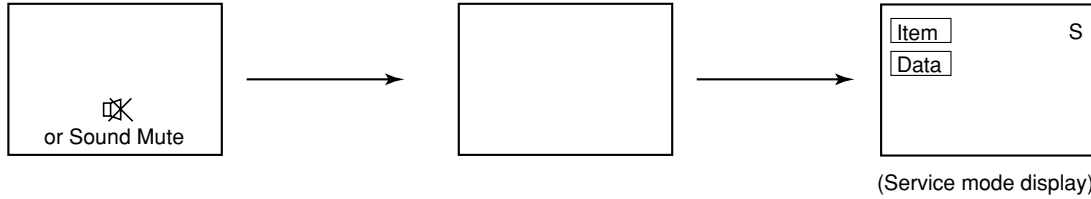
After repair work finished, replace it in the opposite procedure.



SERVICE MODE

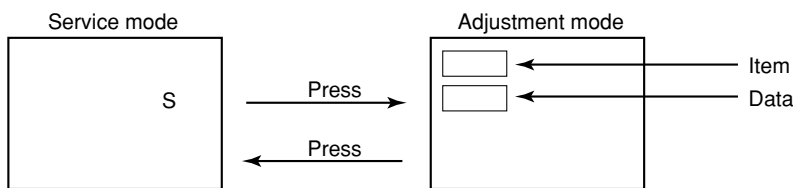
1. ENTERING TO SERVICE MODE

- 1) Press  button once on Remote Control.
- 2) Press  button again to keep pressing.
- 3) While pressing the  button, press MENU button on TV set.



2. DISPLAYING THE ADJUSTMENT MENU

- 1) Press MENU button on TV.



3. KEY FUNCTION IN THE SERVICE MODE

The following key entry during display of adjustment menu provides special functions.

Screen adjustment mode ON/OFF:	-/- (INFO) button (on Remote)
Test signal selection :	↻ button (on Remote)
Selection of the adjustment items :	Channel ▲/▼ (on TV or Remote)
Change of the data value :	Volume ▲/– (on TV or Remote)
Adjustment menu mode ON/OFF :	MENU button (on TV)
Initialization of the memory (QA02) :	CALL + Channel button on TV (▲)
Reset the count of operating protect circuit to "00":	CALL + Channel button on TV (▼)
"RCUT" selection :	1 button
"GCUT" selection :	2 button
"BCUT" selection :	3 button
"SCNT" selection :	4 button
"COLP" selection :	5 button – – – – Color thickness correction
"TNTC" selection :	6 button
Convergence adj :	YELLOW button
Self diagnostic display ON/OFF :	9 button

note: Displayed differently as shown below, depending on the setting of the receiving color system.
 COLP (PAL)
 COLC (NTSC)
 COLS (SECAM)

CAUTION : Never try to perform initialization unless you have changed the memory IC.

4. SELECTING THE ADJUSTING ITEMS

- 1) Every pressing of CHANNEL ▲ button in the service mode changes the adjustment items in the order of table-2. (▼ button for reverse order)

Refer to table-2 for preset data of adjustment mode.
(See SETTING & ADJUSTING DATA on page 26)

5. ADJUSTING THE DATA

- 1) Pressing of VOLUME ▲/– button will change the value of data in the range from 00H to FFH. The variable range depends on the adjusting item.

6. EXIT FROM SERVICE MODE

- 1) Pressing POWER button to turn off the TV once.

■ INITIALIZATION OF MEMORY DATA OF QA02

After replacing QA02, the following initialization is required.

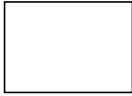
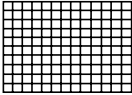
1. Enter the service mode, then select any register item.
2. Press and hold the CALL button on the Remote, then press the CHANNEL ▲ button on the TV. The initialization of QA02 has been completed.
3. Check the picture carefully. If necessary, adjust any adjustment item above.
Perform "Auto search Memory" on the owner's manual.

CAUTION: Never attempt to initialize the data unless QA02 has been replaced.

7. TEST SIGNAL SELECTION

- 1) Every pressing of –◀ button on the Remote Control changes the built-in test patterns on screen as described below in SERVICE MODE.

Signal off ———▶ PAL signals (5 patterns)
 ▲ ——— NTSC signals (5 patterns) ◀ ———

Signals	Picture
<ul style="list-style-type: none"> • Red raster • Green raster • Blue raster • All White 	
<ul style="list-style-type: none"> • Black cross-hatch 	

* The signals marked with ■ are not usable to display in the Test signal for some model.

8. SELF DIAGNOSTIC FUNCTION

- 1) Press "9" button on Remote Control during display of adjustment menu in the service mode.
The diagnosis will begin to check if interface among IC's are executed properly.
- 2) During diagnosis, the following displays are shown.

	<SELF CHECK>	
①	2300	*****
②	TIME	: 000000
③	POWER	: 00
④	BUS CONT	: OK
⑤	BLOCK	: UV V1 V2 V3 V4

- ① Part number of microcomputer (QA01)
- ② Total hour of turn the TV on. (Unit: H)
- ③ Operation number of protecting circuit ----"00" is normal.
When indication is other than "00", overcurrent apt to flow, and circuit parts may possibly be damaged.
- ④ BUS CONT ----"OK" is normal.
When indication shows "Q○○○ NG", the device with the number may possibly be damaged.
- ⑤ BLOCK
UV : TV reception mode
V1 : VIDEO 1 input mode (←1)
V2 : VIDEO 2 input mode (←2)
V3 : VIDEO 3 input mode
V4 : VIDEO 4 input mode

* The items marked with ■ are not usable to display in the SELF DIAGNOSTIC FUCTION for some model.

Indicated color of mode now selected : Green and Red
Indicated color of other modes : Black

Green : Normal

Red : The microcomputer operates to provide judgement of no video signal. The red color is still indicated though the signal is input, failure may exist in input signal line including QV01.

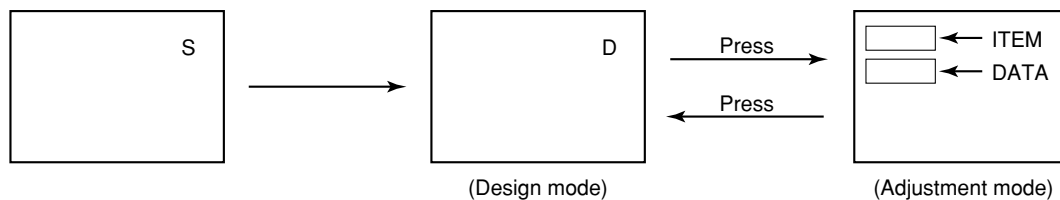
NOTE: (1) In case that "on timer" indicator is blinking with interval of 0.5 seconds; it means protecting circuit (Current limiter) is operating, and circuit components may possibly be damaged. Check related components.

(2) In case that "on timer" indicator is blinking with interval of 1 second; Protecting circuit does not operate, but a part of Bus line does not operate normally. Check Bus line.

DESIGN MODE

1. ENTERING TO DESIGN MODE

- 1) Select the Service mode.
- 2) While pressing CALL button on Remote and press MENU button on TV.
- 3) Press MENU button on TV.



When QA02 is initialized, items "OPT0", "OPT1" and "OPT2" of DESIGN MODE are set to the data of the representative model of this chassis family.

Therefore, because ON-SCREEN specification remains in the state of the representative of model. This model is required to reset the data of items "OPT0", "OPT1" and "OPT2".

2. SELECTING THE ADJUSTING ITEMS

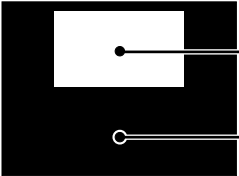
Every pressing of CHANNEL ▼ button in the design mode changes the adjustment items in the order of table-3. (▲ button for reverse order)

Refer to table-3 for data of design mode.
(See SETTING & ADJUSTING DATA on page 26)

3. ADJUSTING THE DATA

Pressing of VOLUME ▲ or ▼ button will change the value of data.

ELECTRICAL ADJUSTMENT

ITEM	ADJUSTMENT PROCEDURE
WIDTH (WID) (Picture size wide)	<ol style="list-style-type: none"> 1. Call up the adjustment mode display, then select the item WID. 2. Press the VOLUME ▼ button to get the picture so the left or right edges of raster begins to lack. 3. Press the VOLUME ▲ button to advance the data by 11 steps. Note : Check the horizontal picture position is correct.
HEIGHT (HIT) (Picture size wide)	<ol style="list-style-type: none"> 1. Call up the adjustment mode display, then select the item HIT. 2. Press the VOLUME ▼ button to get the picture so the top or bottom of raster begins to lack. 3. Press the VOLUME ▲ button to advance the data by 9 steps. Note : Check the vertical picture position is correct.
WHITE BALANCE (RCUT) (GCUT) (BCUT) (RDRV) (BDRV)	<p>Black and White pattern</p>  <p>High light area Adjust "RDRV" or "BDRV" to be white.</p> <p>Low light area Fine adjust "RCUT", "GCUT" or "BCUT" to be black.</p> <ol style="list-style-type: none"> 1. Set user control to reset position. (CONTRAST → Max BRIGHTNESS, COLOR, TINT → Center.) 2. Call up the adjustment mode display, then select the item RCUT. 3. Adjust the data of items RCUT, GCUT, and BCUT to "40H". 4. Press the -/-- (INFO) button on Remote. (Y-MUTE : ON) 5. Gradually rotate R, G and B screen volume of FOCUS PAC clockwise or counterclockwise until the raster appears slightly on the CRT through the each lens, and leave them. (Lookin to the lens in order to check the raster.) 6. Press the -/-- (INFO) button on Remote. (Return to Normal Picture) 7. Press the ⊖ button on Remote, and select the Black and White pattern. 8. Adjust the data of items RCUT, GCUT and BCUT for proper white-balanced picture in low light area. 9. Adjust the data of items RDRV and BDRV for proper white-balanced picture in high light area. 10. Check the white balance in both low and high light areas. If necessary, perform again steps from 8 to 9.

CONVERGENCE ADJUSTMENT

1. SCREEN ADJUSTMENT

The adjustment is carried out on four screens; 4 : 3 and 16 : 9 screens in both PAL and NTSC modes. When making the adjustments, feed an external signal to make an synchronization.

Note:

The convergence circuit is a circuit to eliminate screen distortion and can not make a drastic correction such as to correct entire screen size. An excessive correction may actuate the protection circuit. So a care will be necessary.

Before proceeding to the adjustment for each screen, always perform the adjustments for vertical size (HIT) and horizontal size (WID) with the main deflection data changed.

Order of the adjusting screens is PAL 4 : 3 → PAL 16 : 9 → NTSC 4 : 3 → NTSC 16 : 9.

The menu order is 1~7 when the vertical sync is 50 Hz. (In this case, item 8~12 are not displayed)

The menu order is 8~12 when the vertical sync is 60 Hz. (In this case, item 1~7 are not displayed)

1-1. Entering the Adjustment Menu

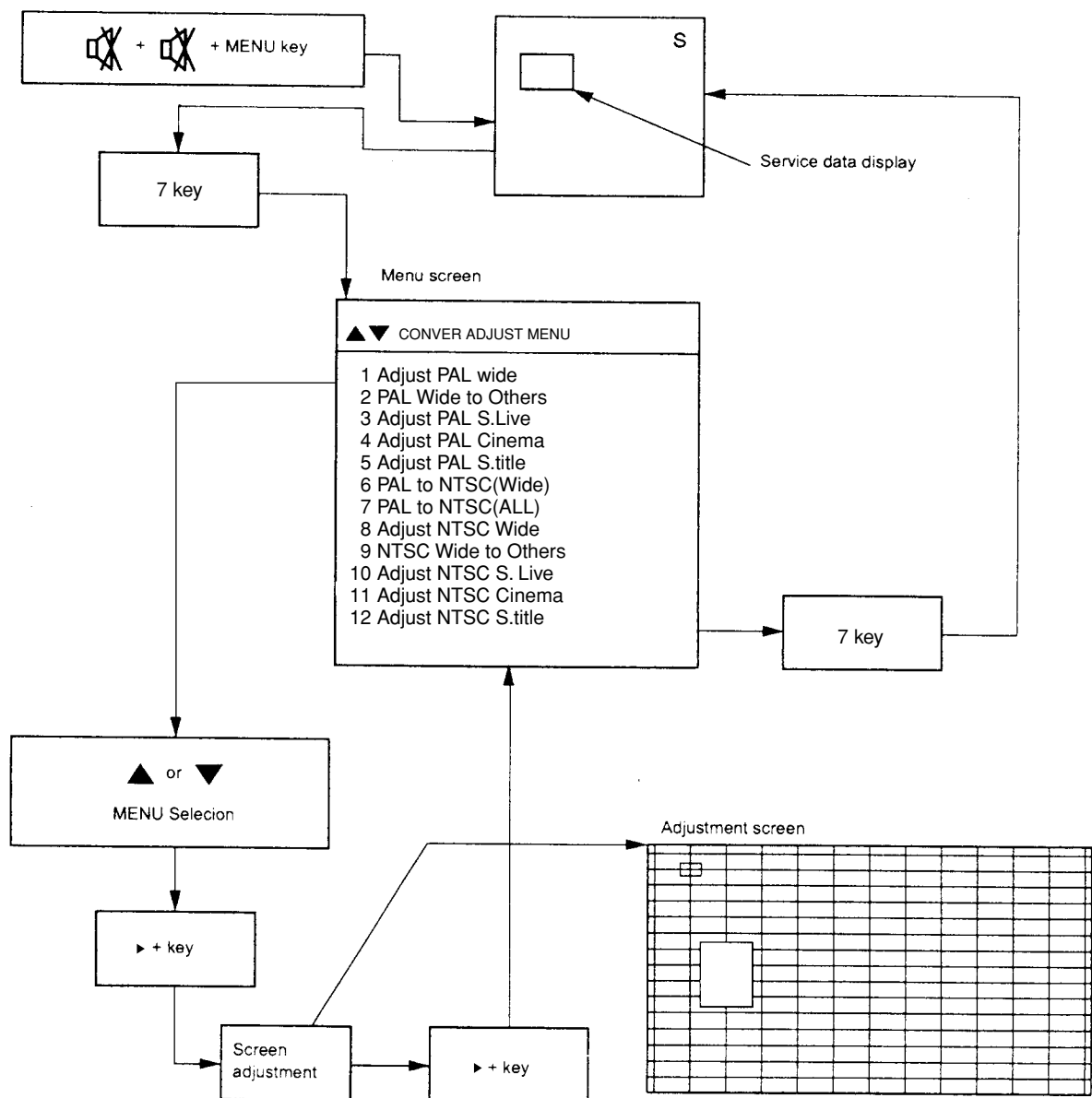
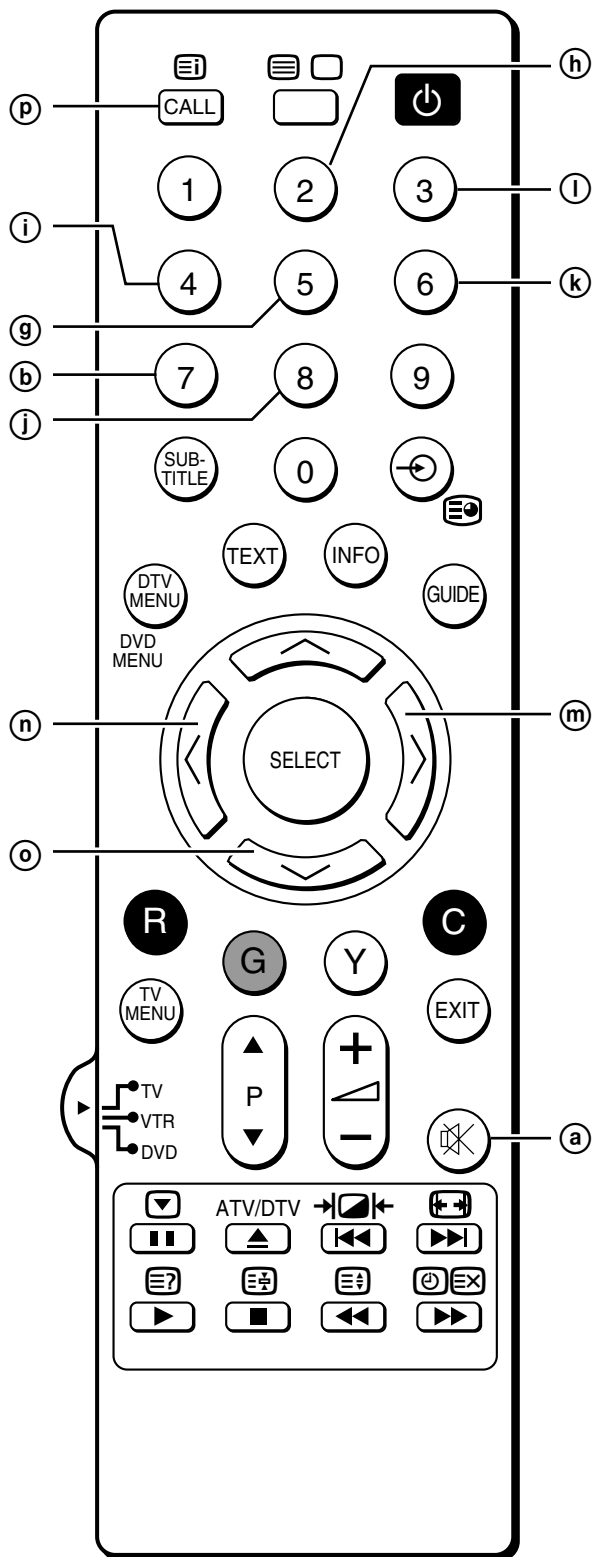


Fig. 1

1-2. Remote Control Key



- (a) key Push this key twice and the set console menu key to enter the service mode.
- (b) 7 key Push 7 key to enter and cancel the convergence menu.
- (g) 5 key Cursor shift / data change mode change-over.
- (h) 2 key Cursor up / adjusting point up.
- (i) 4 key Cursor left / adjusting point left
- (j) 8 key Cursor down / adjusting point down
- (k) 6 key Cursor right / adjusting point right
- (l) 3 key Cursor colour change (Adjusting colour selection).
- (m) key Execution key on convergence menu.
- (n) key Up key on convergence menu.
- (o) key Down key on convergence menu.

Fig. 2

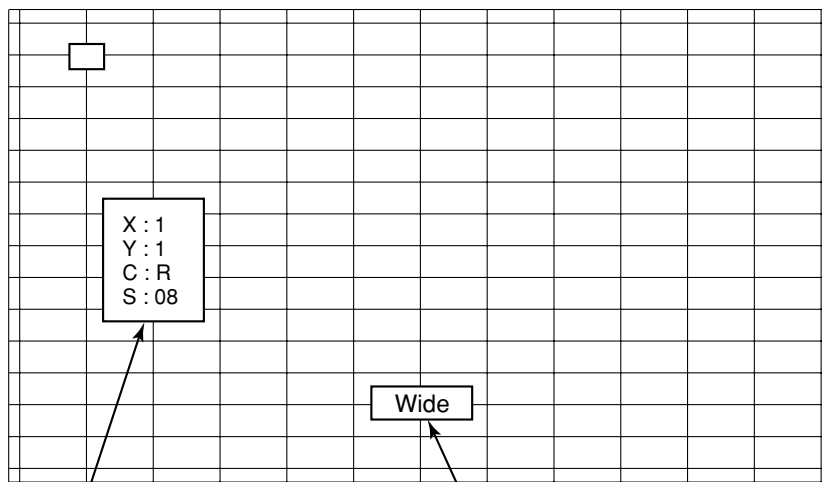
1-3. Adjusting Screen

1) Adjusting menu

NO	Item	Description
1	Adjust PAL Wide	Used for manual adjustment of the Wide/4:3 screen in the PAL mode. Returns to the original screen data screen before data conversion, explained below.
2	PAL Wide to others	Automatically saves approximate supplementary data for the other PAL screens based on the PAL Wide/4:3 screen data. First, the PAL Wide/4:3 screen data are converted to Super Live and the values are saved. Next, the data are converted to Cinema and the values are saved. Finally, the data are converted to Subtitle and the values are saved, and then the operation ends. Manually check the other screen modes as described below and make corrections if distortion, etc., is present. Please be aware that all PAL screens are re-adjusted when this menu is selected and executed.
3	Adjust PAL S.Live	Used for manual adjustment of the PAL Super Live screen. Select this mode for Super Live screen color matching and distortion adjustment. Use the specified dimensions when adjusting.
4	Adjust PAL Cinema	Used for manual adjustment of the PAL Cinema screen. Select this mode for Cinema screen color matching and distortion adjustment. Use the specified dimensions when adjusting.
5	Adjust PAL S.title	Used for manual adjustment of the PAL S.title screen. Select this mode for S.title screen color matching and distortion adjustment. Use the specified dimensions when adjusting.
6	PAL to NTSC (Wide)	PAL Wide/4:3 screen data is calculated, converted to NTSC Wide/4:3 approximate data and saved. To assure accurate adjustments, select the manual mode explained below and check, then apply color matching and distortion adjustments.
7	PAL to NTSC (All)	Data for all PAL screens is converted to approximate data for the NTSC screens and saved. To assure accurate adjustments, select the manual mode explained below and check, then apply color matching and distortion adjustments.
8	Adjust NTSC Wide	Used for manual adjustment of the NTSC Wide/4:3 screen. Select this mode for Wide/4:3 screen color matching and distortion adjustment. Use the specified dimensions when adjusting.
9	NTSC Wide to others	Approximate supplementary data for the other NTSC screens is automatically saved based on the NTSC Wide/4:3 screen data. First, the NTSC Wide/4:3 screen data are converted to Super Live and the values are saved. Next, the data are converted to Cinema and the values are saved. Finally, the data are converted to Subtitle and the values are saved, and then the operation ends. Manually check the other screen modes as described below and make corrections if distortion, etc., is present. Please be aware that all NTSC screens are re-adjusted when this menu is selected and executed.

NO	Item	Description
10	Adjust NTSC S.Live	Used for manual adjustment of the NTSC Super Live screen. Select this mode for Super Live screen color matching and distortion adjustment. Use the specified dimensions when adjusting.
11	Adjust NTSC Cinema	Used for manual adjustment of the NTSC Cinema screen. Select this mode for Cinema screen color matching and distortion adjustment. Use the specified dimensions when adjusting.
12	Adjust NTSC S.title	Used for manual adjustment of the NTSC Subtitle screen. Select this mode for Subtitle screen color matching and distortion adjustment. Use the specified dimensions when adjusting.

2) Adjustment Screen



Displayed when the cursor blinks and cleared when the cursor lights steady.

- X Cursor horizontal position display
- Y Cursor vertical position display
- C Cursor color select display
- S Menu select display

Displayed when the cursor blinks and cleared when the cursor lights steady.
Displays the current screen mode.

3) Adjustment Sequence

When the initial screen opens, X = 1, Y = 1, C = R and S = [Select Menu] are displayed as the defaults. The cursor can now be moved up, down, left and right using the (2), (8), (4) and (6) keys of the remote control. Select the desired adjustment and press the (5) key; the cursor will light steady and the screen display will be cleared. Again press the (2), (8), (4) and (6) keys of the remote control to adjust the shape of the screen. When adjustment has been completed, press the (+) key to return to the Adjustment Menu. When all of the screen adjustments have been completed, turn off the main power supply of the set to reset the menu.

2. Case Study

In many cases, color matching problems can be solved by returning the HIT and WID data for main deflection to the initial adjustment values. Convergence cannot be re-adjusted in the following cases.

2-1 When the CRT has been replaced

Main deflection re-adjustment and color matching are necessary when the CRT has been replaced. Use the following procedure.

1. Replace the blue and red CRTs.
2. Perform the blue and red yoke horizontal adjustments in relation to the green CRT. Press the yokes and speed modulation coils + alignments onto the CRTs and fasten after making sure that there are no gaps.
3. Adjust the blue and red alignments (refer to the detailed alignment adjustment item).
4. Use centering magnets to center the blue and red CRTs in relation to the green CRT.
5. Adjust the main deflection HIT and WID data, using the most accurate location in relation to the green as data.
6. Use convergence to match the colors for each screen. Green will not work at this time.
7. When the convergence adjustments have been completed for all screens, then replace the green CRT.

Repeat the procedures in steps 2 - 5 for the green CRT but this time use convergence to match the colors using red and blue as reference.

2-2 When replacing the convergence unit

Generally, all of the screens must be re-adjusted when the convergence unit is replaced, but the process can be greatly shortened by using the following method.

1. Replace the memory (Q711, Q712, Q713) of the new unit with the memory (Q711, Q712, Q713) of the defective unit. This makes it possible to quickly reproduce the previous screen status when installed in the set.
2. Install the new unit with the old memory in the set and turn on the power. The entire screen will move linearly in either the vertical or horizontal direction.
3. Use centering magnets to re-adjust the green, red and blue centers.
4. There is possibility of color mismatching or differences in screen size when the various screens are checked. In such case, adjust the main deflection and apply a slight amount of convergence color matching.

2-3 When none of the above cases apply (rare case)

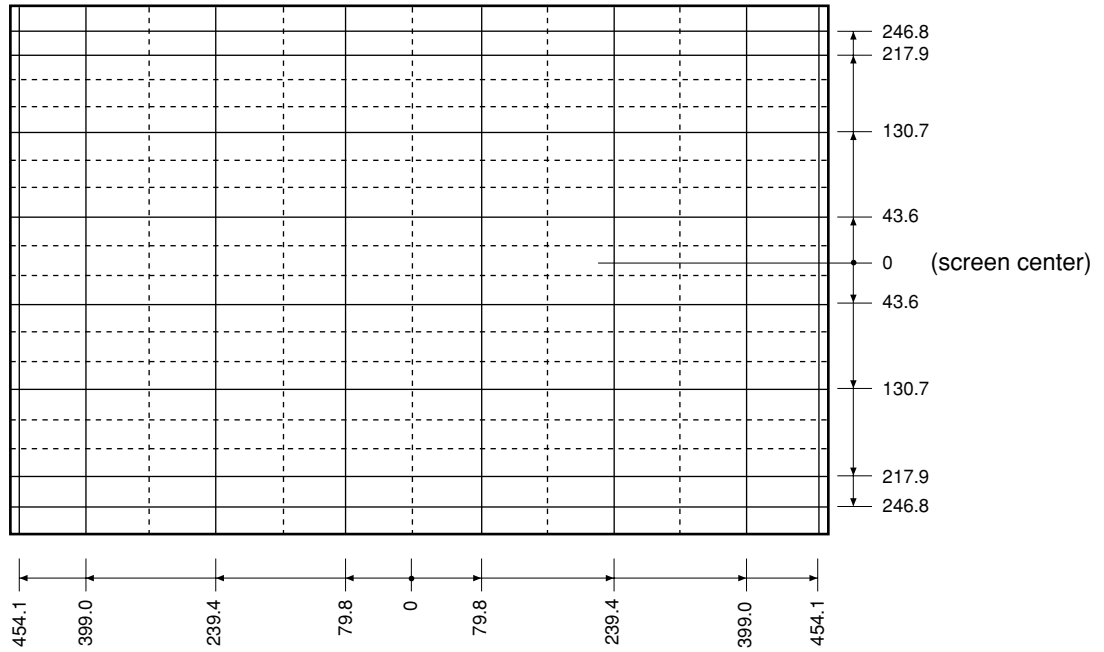
An unexpected situation or major operational error, etc., could be considered but it is recommended that all screens be matched starting from the beginning. If the initial positions of the centering magnets are unknown, disconnect the connectors for the convergence sub-yoke outputs one at a time, adjust the CRT centering and then start the following adjustments.

1. Make sure that there is plenty of room for the static cross convergence to be moved left, right, up and down. If sufficient space is not available, move to an appropriate location and then re-adjust the centering.
2. Enter the convergence adjustment mode and call out the menu. (Leave the PAL signal connected.)
3. Select 1. Adjust PAL Wide and adjust the PAL mode Wide/4:3 screen manually in accordance with the dimension diagram.
4. When the Wide/4:3 screen adjustment has been completed, return to the Main Menu and select 2. PAL Wide to others.
The screen will change automatically and the Wide, Cinema and Subtitle screens will be created automatically.
5. Next, select 3. Adjust PAL S.Live and mainly adjust in the horizontal direction in accordance with the dimension diagram.
6. Next, select 4. Adjust PAL Cinema and fine adjust to remove any Cinema screen distortion.
7. Next, select 5. Adjust PAL Subtitle and fine adjust to remove any Subtitle screen distortion.
8. Next, select 7. PAL to NTSC (ALL), then calculate and copy the data for all PAL screens in the NTSC mode. At this time, the calculations and screen shape changes will be performed automatically and the NTSC screen data corresponding to the PAL screens will be transferred.
9. Select in sequence 8. Adjust NTSC Wide, 10. Adjust NTSC S.Live, 11. Adjust NTSC Cinema and 12. Adjust NTSC Subtitle, check the respective NTSC screen modes and, if necessary, adjust for any distortion.

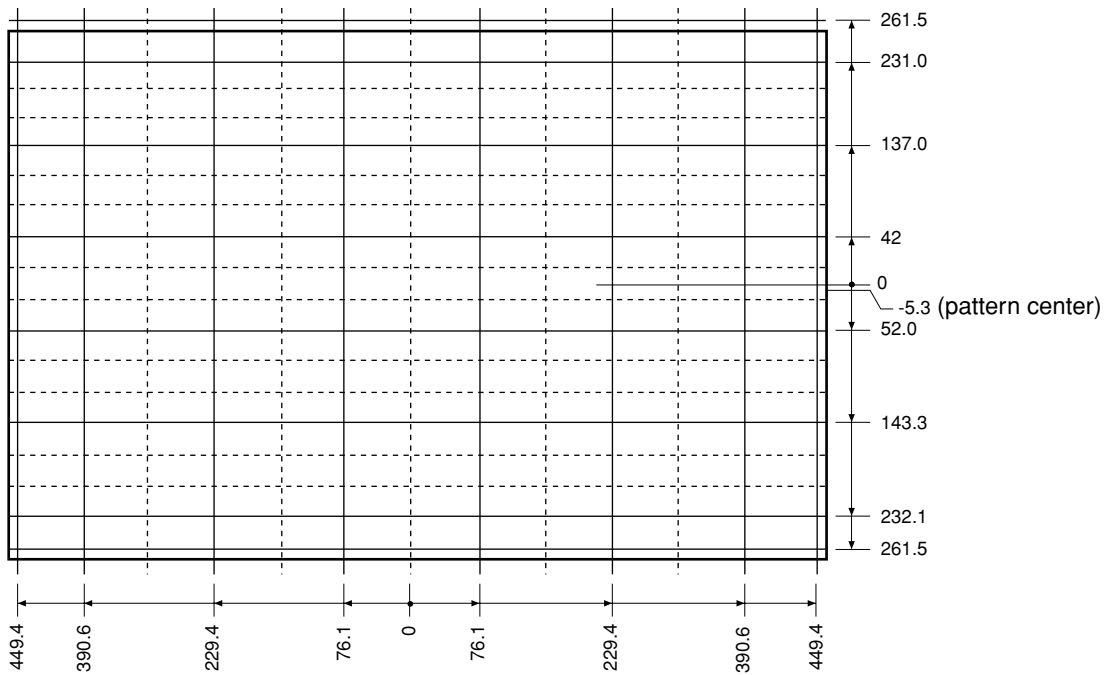
All of the screens can be adjusted with the above process but make every effort not to change the factory data unless absolutely necessary. Try not to change the convergence data any more than necessary.

3 Screen adjustment dimensions

3-1 WIDE/4:3 (PAL mode)



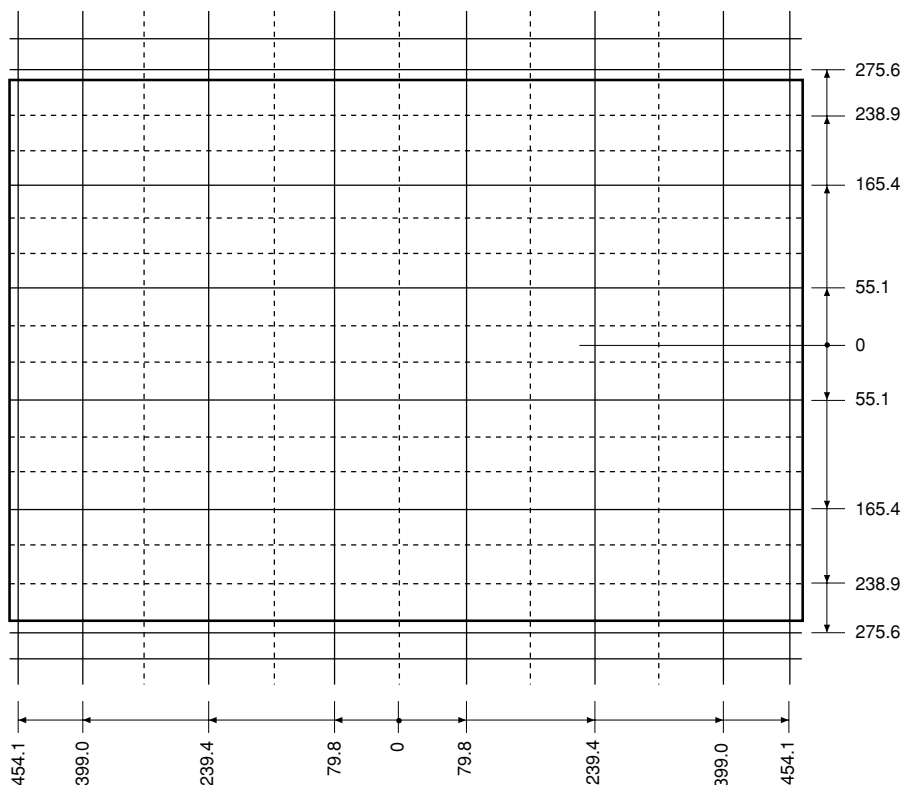
3-2 Super Wide (PAL mode)



Caution: Do not perform the VLIN adjustment.

3-3 Cinema (PAL mode)

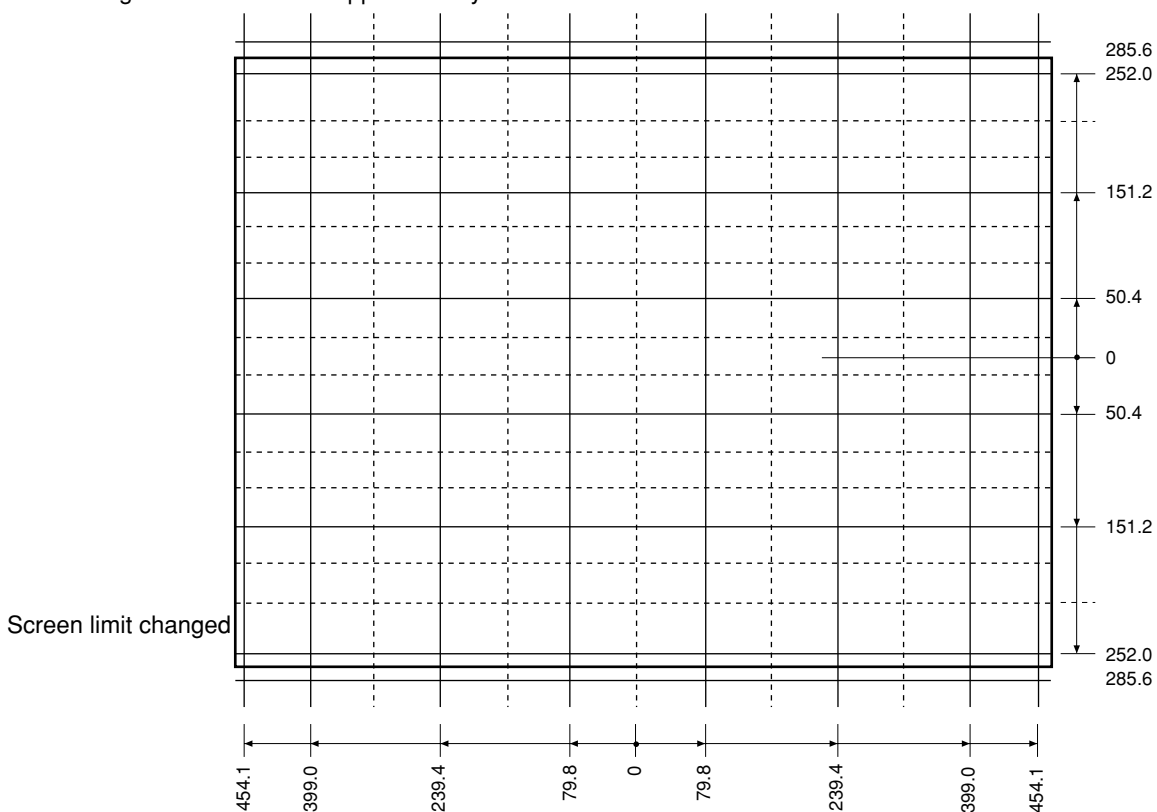
Note: The cursor will move outside the screen limits in the Cinema mode; therefore, be careful to consider the position of the cursor displayed on the screen when making adjustments.



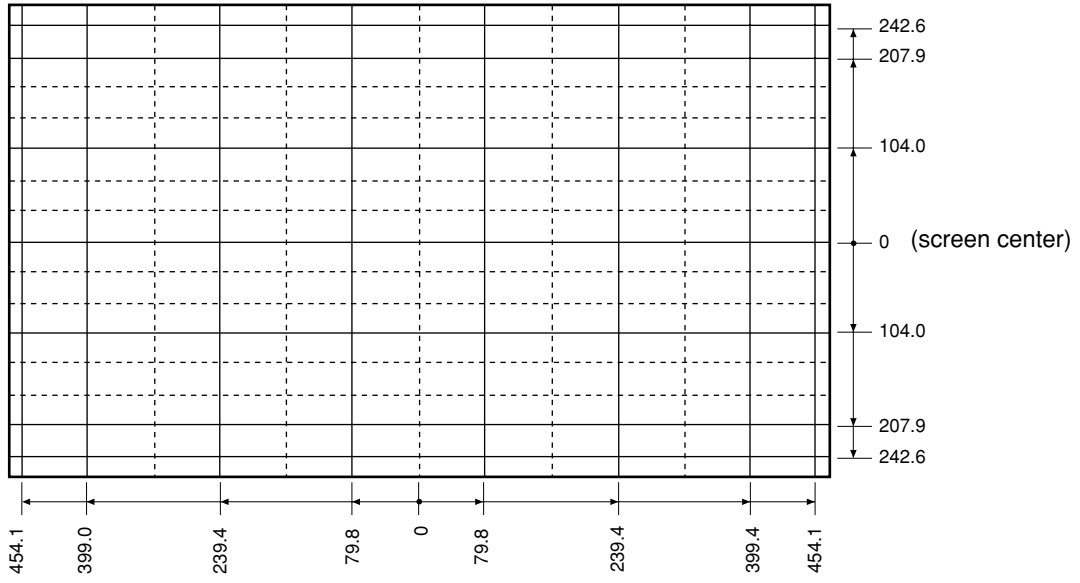
3-4 Subtitle (PAL mode)

Note: The cursor will move outside the screen limits in the Subtitle mode; therefore, be careful to consider the position of the cursor displayed on the screen when making adjustments.

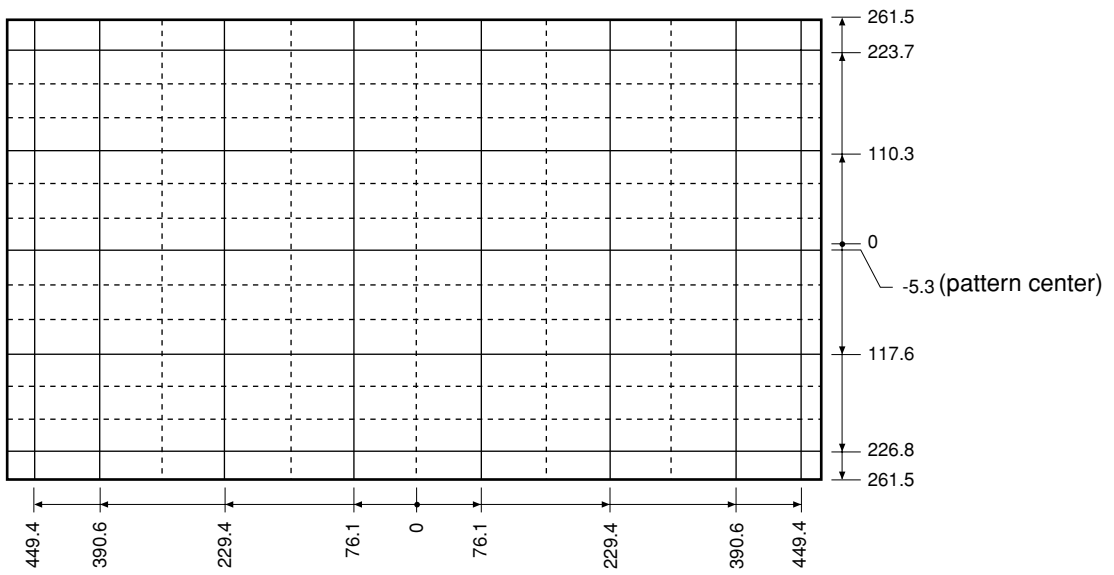
Note: Please be aware that the Subtitle screen convergence pattern center is located at the center of the screen but the image center is located approximately 13mm above that.



3-5 WIDE/4:3 (NTSC mode)



3-6 Super Live (NTSC mode)

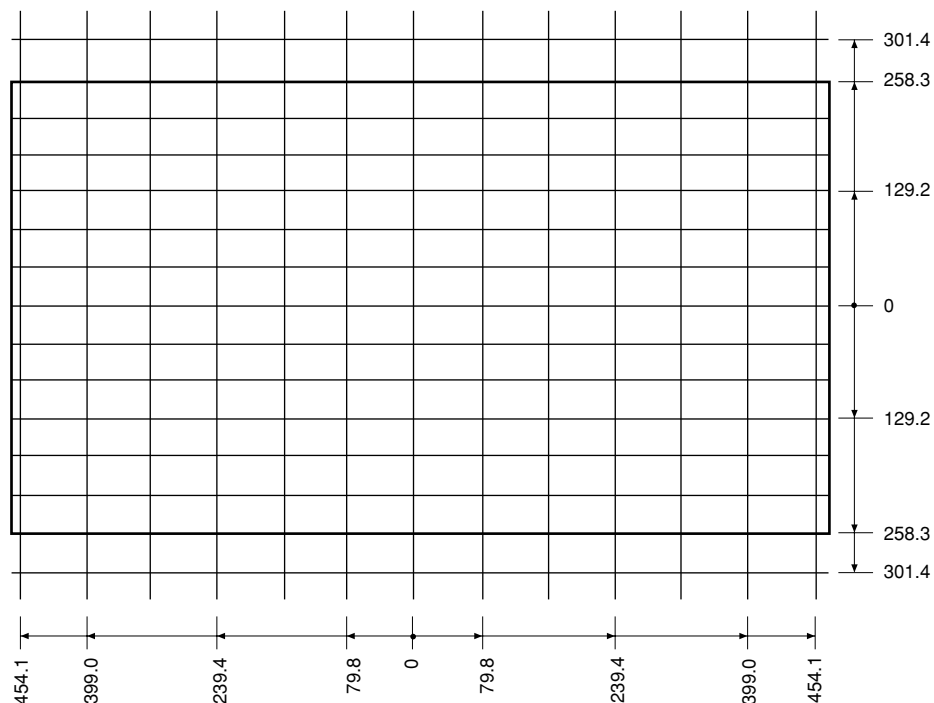


Caution: Do not perform the VLIN adjustment.

3-7 Cinema (NTSC mode)

Note: The cursor will move outside the screen limits in the Cinema mode; therefore, be careful to consider the position of the cursor displayed on the screen when making adjustments.

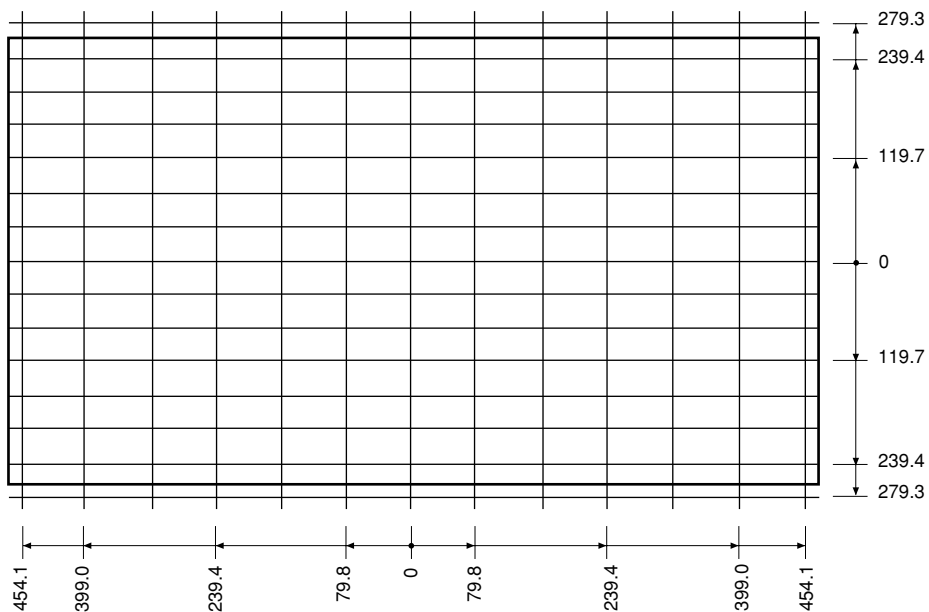
Note: Please be aware that the Cinema screen convergence pattern center is located at the center of the screen but the image center is located approximately 13mm above that.



3-8 Subtitle (NTSC mode)

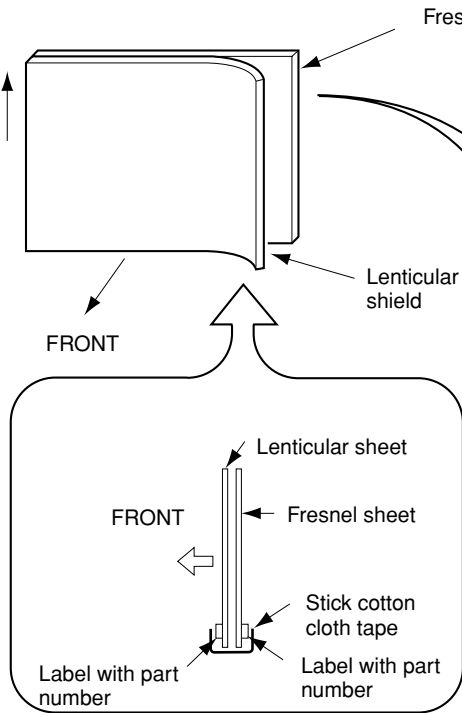
Note: The cursor will move outside the screen limits in the Subtitle mode; therefore, be careful to consider the position of the cursor displayed on the screen when making adjustments.

Note: Please be aware that the Subtitle screen convergence pattern center is located at the center of the screen but the image center is located approximately 32mm above that.

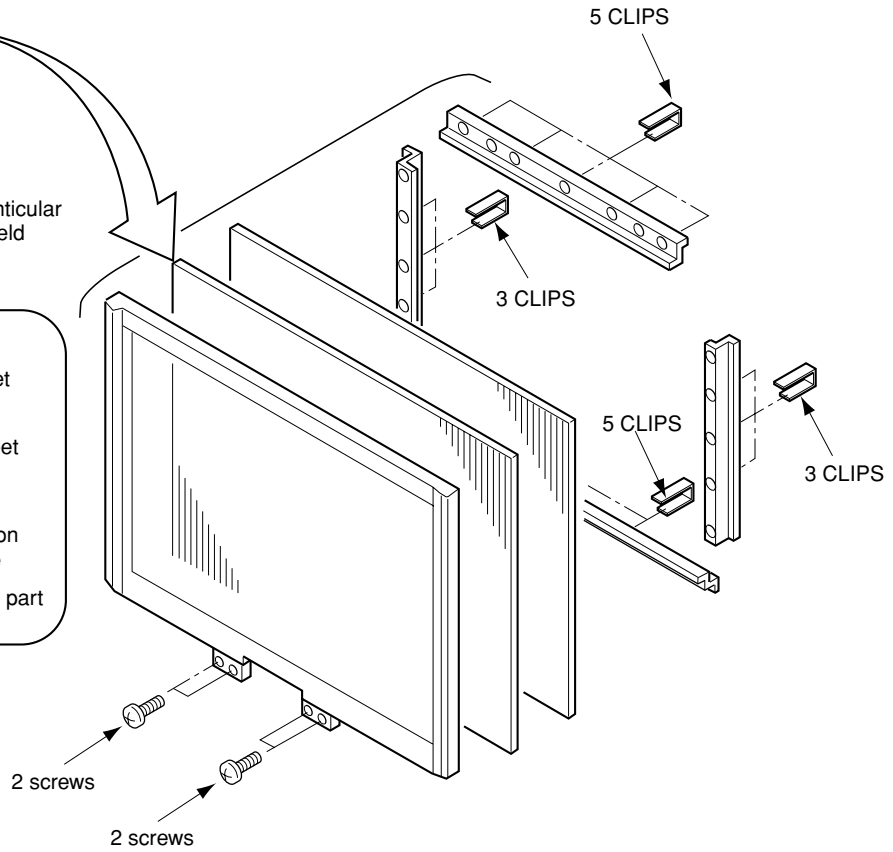


SCREEN AND MIRROR ALIGNMENTS

ASSEMBLING OF FRONT SCREEN



MOUNTING OF FRONT SCREEN



* Please refer to Mechanical Disassembly on page 29 for 42".

CAUTION : Do not hold the optical system parts (lens and mirror) with bare hand to avoid fingerprints on the surface of those parts.

HOW TO CLEAN LENS AND MIRROR

1. Be sure to remove sand dust with an air brush, etc.
2. When it is stained slightly, breathe upon it and wipe away with the specified cleaning cloth.
For other stains than the above, wipe the stains away with the specified cloth into which a cleaning liquid has been soaked.

Cleaning liquid..... **LENS LUSTER**
(Manufactured by Edmund Scientific Co.),
etc.

HOW TO CLEAN SCREEN

When cleaning the screen, use a soft cloth so as not to damage the screen.

1. Wipe the screen with a dry cloth to remove moisture on the screen.

Note : Absolutely do not use detergent, water, alcohol, benzene, thinner, etc. for cleaning in order not to wipe away the black print on the surface.

CIRCUIT CHECKS

HIGH VOLTAGE CHECK

CAUTION: There is no HIGH VOLTAGE ADJUSTMENT on this chassis. Checking should be done following the steps below.

1. Connect an accurate high voltage meter to the anode of the picture tube.
2. Turn on the receiver. Set the BRIGHTNESS and CONTRAST to minimum (zero beam current).
3. High voltage must be measured below (B) kV.

Refer to table-1 for high voltage (B).
(See SETTING & ADJUSTING DATA on page 26)

4. Vary the BRIGHTNESS to both extremes to be sure the high voltage does not exceed the limit under any conditions.

CAUTION:

When the following parts fail, check the High Voltage after replacing.

Location No.	Name	Name
T461	Flyback Trans.	TFB3089AD
C440	Capacitor	2200pF, $\pm 3\%$
C443	Capacitor	4700pF, $\pm 3\%$
C444	Capacitor	8200pF, $\pm 3\%$
C467	Capacitor	12000pF, $\pm 5\%$
C468	Capacitor	12000pF, $\pm 5\%$

ANODE VOLTAGE MEASURING METHOD

CAUTION: Take extra precaution when measuring this high voltage. High voltages are also present in surrounding circuit boards (CRT DRIVE assembly, DEFLECTION assembly, and POWER SUPPLY assembly).

1. Disconnect the FBT anode cable as outlined below. Measure high voltage at the point where the cable enters the FBT.
2. Holding the rubber cover firmly, turn it counterclockwise and check that the lock has been disengaged. (See Fig. b on page 8.)
3. Determine the extent of the rubber cover before disconnecting the cable.
4. Pull straight up the anode cable to disconnect.
5. When reconnecting the cable, proceed in the reverse order.
After reconnecting, tug on the cable to check that it is secure.

CHAPTER 2 SPECIFIC INFORMATIONS

SETTING & ADJUSTING DATA

【 SAFETY INSTRUCTIONS 】

		42", 50"
HIGH VOLTAGE AT ZERO BEAM:	(A)	33.0 kV
MAX HIGH VOLTAGE:	(B)	34.5 kV
AC VOLTAGE	(C)	220~240 V

Table-1

【 SERVICE MODE 】

ADJUSTING ITEMS AND DATAS IN THE SERVICE MODE:

Item	Adjustment	Reference data	Item	Adjustment	Reference data
RCUT	R CUTOFF (B/W)	40H	VPOS	V-POSITION	07H
GCUT	G CUTOFF (B/W)	40H	HIT	HEIGHT	31H
BCUT	B CUTOFF (B/W)	40H	VLIN	V-LINEARITY	11H
RDRV	R DRIVE	40H	VSC	V-S CORRECTION	0EH
BDRV	B DRIVE	40H	VPS	V-SHIFT	1CH
BRTC	SUB BRIGHT CEN	80H	WID	PICTURE WIDTH	22H
COLP	SUB COLOR CEN PAL	05H	PARA	E-W PARABOLA	11H
COLS	SUB COLOR CEN SECAM	08H	CNR	E-W CORNER	00H
SCNT	SUB CONTRAST	08H	TRAP	TRAPEZIUM	20H
SRY	SECAM R-Y	07H	VFC	V-F CORRECTION	0FH
SBY	SECAM B-Y	04H	VCEN	V-POSITION (RASTER)	80H
HPOS	50Hz H-POSITION	64H	OPT3	DESTINATION SEL	01H

Table-2

【 DESIGN MODE 】

ADJUSTING ITEMS AND DATAS IN THE DESIGN MODE:

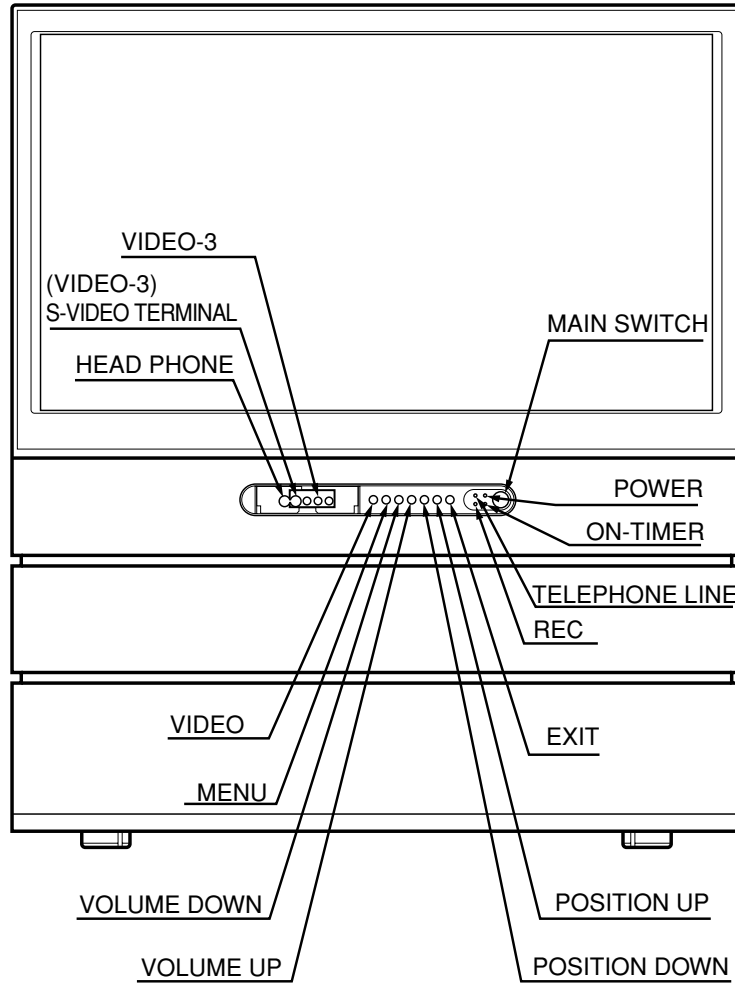
Item	Name of adjustment	Preset Data	42", 50"	Remarks
OPT0	OPTION 0	90H	90H	
OPT1	OPTION 1	7FH	7FH	
OPT2	OPTION 2	10H	10H	
OPT3	OPTION 3	01H	01H	
OPT4	OPTION 4	02H	02H	

Table-3

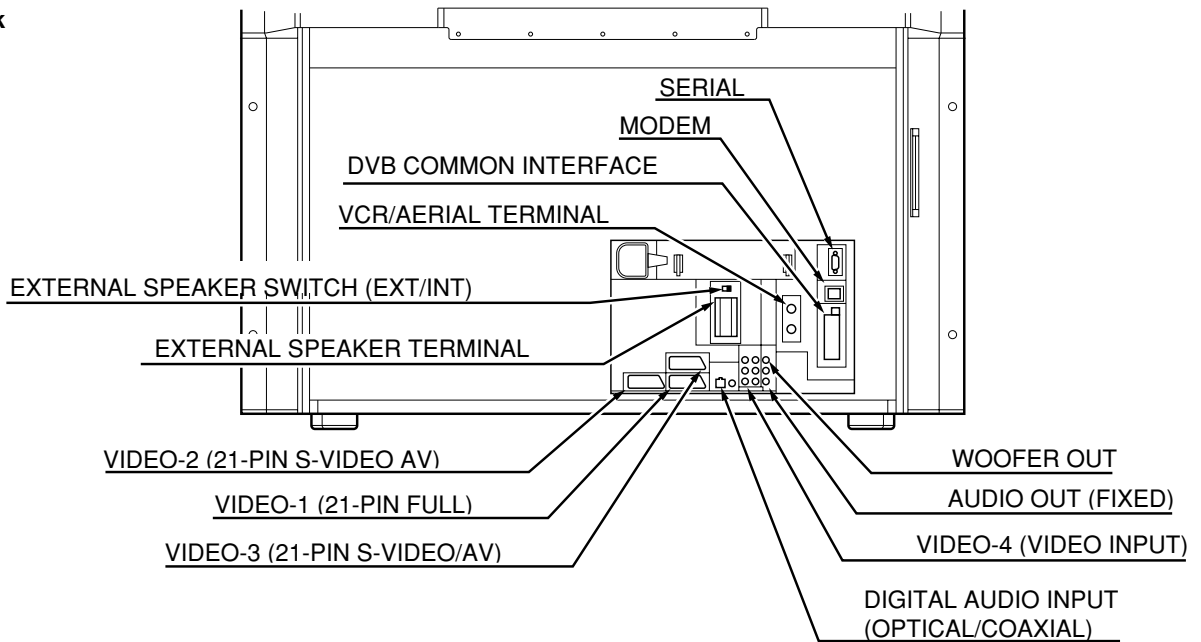
LOCATION OF CONTROLS

(Representative: 42WT29B)

Front

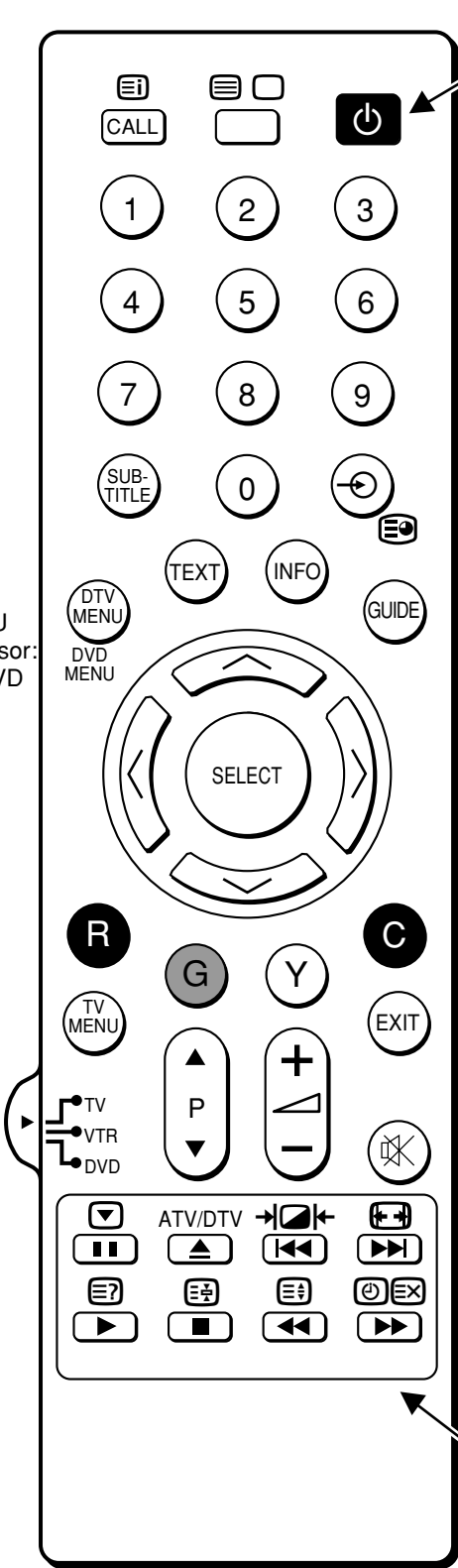


Back




SPECIFIC INFORMATIONS


Remote Controller



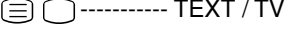
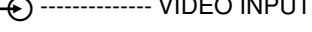
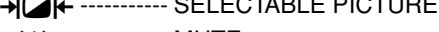
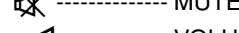

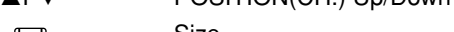




Power Key: TV, VCR, DVD

Note:

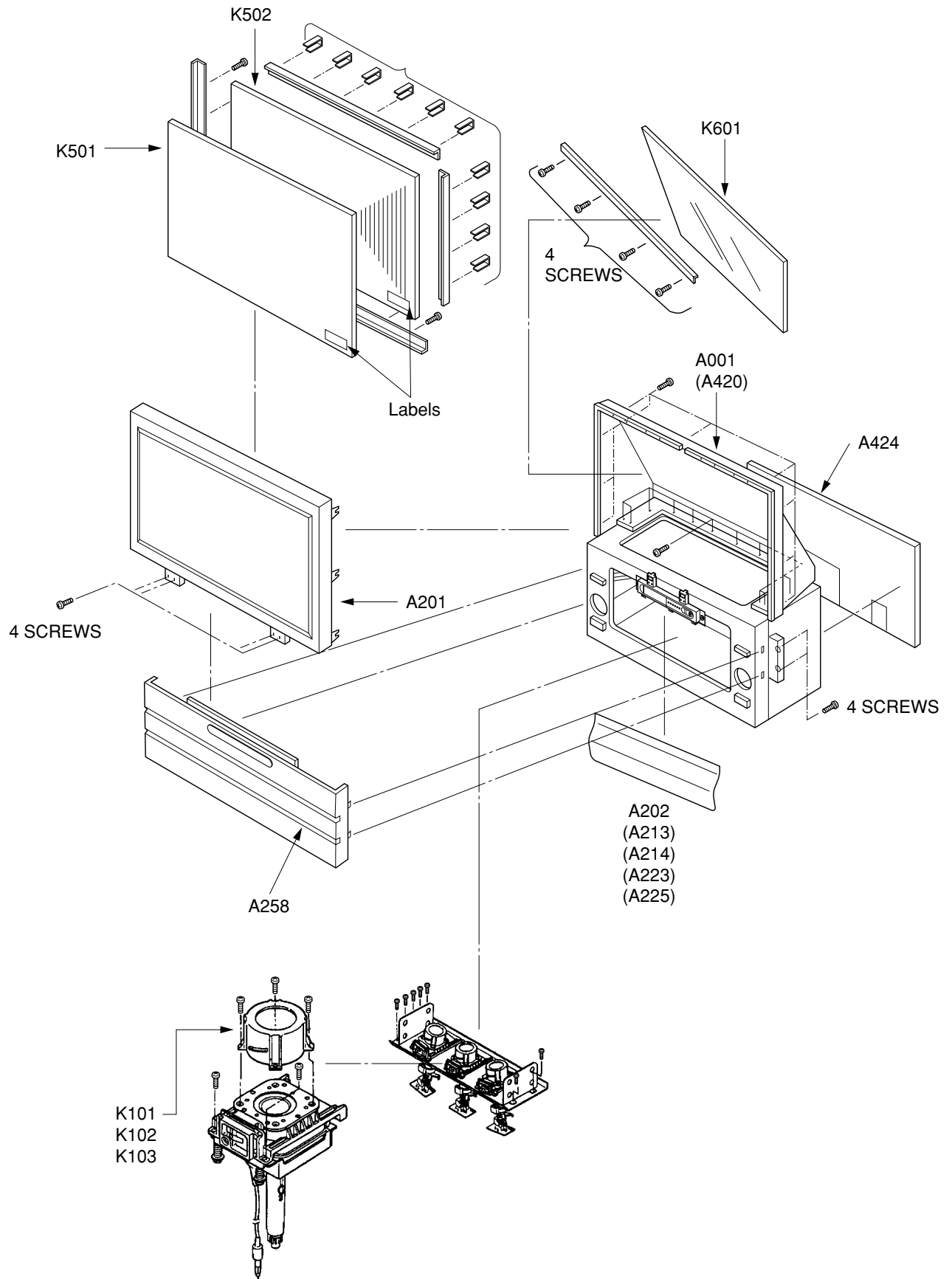
1. TEXT Sub Function
 <HOLD, REVEAL, F-T-B, TIME/TXCL, SUB PAGE>

 ----- Only TV mode operation

2. VCR & DVD Common
 <Power, Play, Stop, Pause, Eject, FF, REV, Skip - FWD, Skip - REV>


3. Key Name (by special characters)
 ----- Power ON - Standby
 ----- TEXT INDEX
 ----- TEXT / TV
 ----- VIDEO INPUT
 ----- SELECTABLE PICTURE
 ----- MUTE
 ----- VOLUME +, -
 ----- POSITION(CH.) Up/Down
 ----- Size
 ----- STILL PICTURE

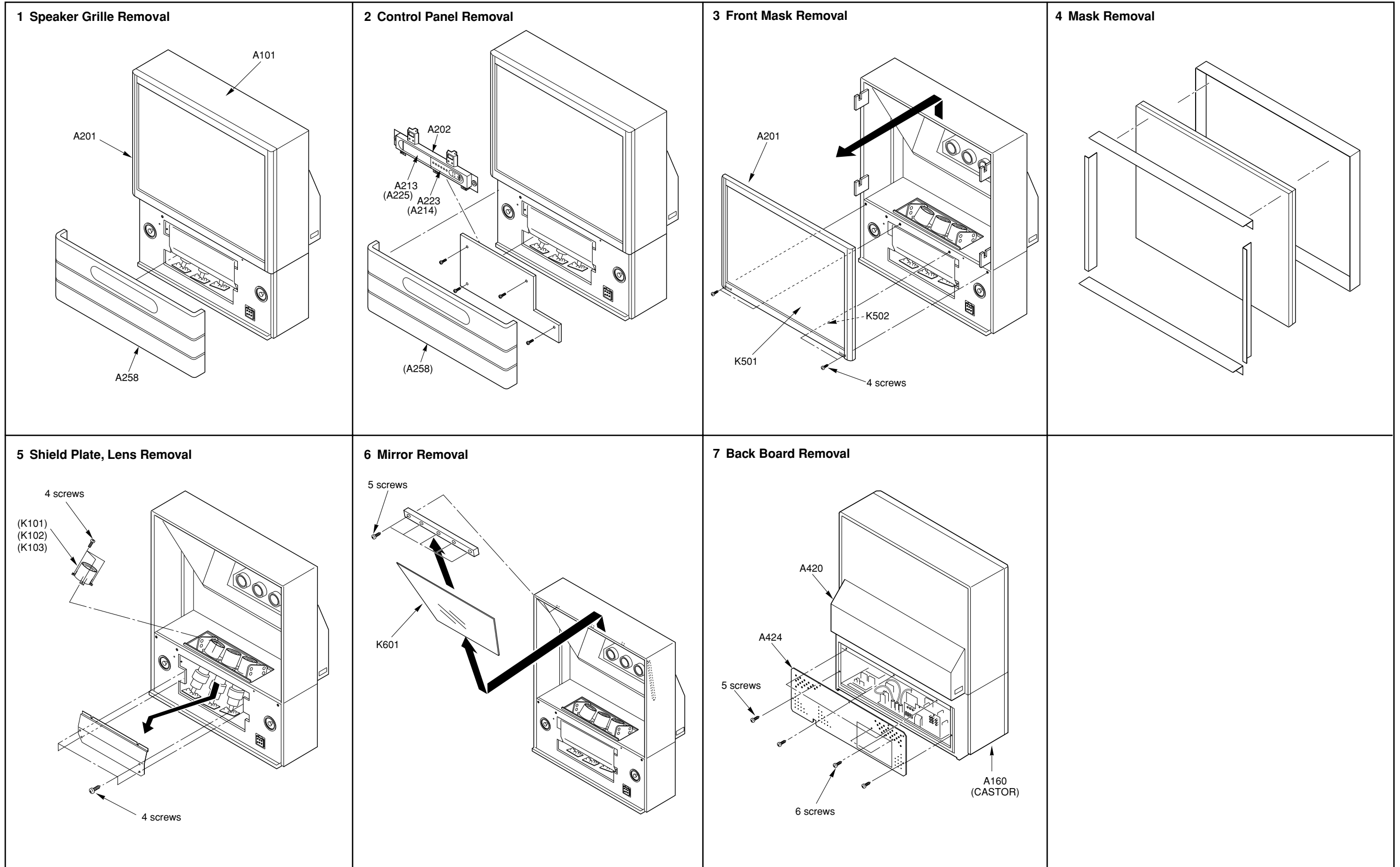
Switched
TV Mode, VCR Mode, DVD Mode:

MECHANICAL DISASSEMBLY (For 42")



**THIS PAGE IS
INTENTIONALLY LEFT
BLANK.**

MECHANICAL DISASSEMBLY (For 50")



**THIS PAGE IS
INTENTIONALLY LEFT
BLANK.**

CHASSIS AND CABINET REPLACEMENT PARTS LIST

WARNING: BEFORE SERVICING THIS CHASSIS, READ THE "X-RAY RADIATION PRECAUTION", "SAFETY PRECAUTION" AND "PRODUCT SAFETY NOTICE" ON PAGE 3 OF THIS MANUAL.

CAUTION: The international hazard symbols " \triangle " in the schematic diagram and the parts list designate components which have special characteristics important for safety and should be replaced only with types identical to those in the original circuit or specified in the parts list. The mounting position of replacements is to be identical with originals. Before replacing any of these components, read carefully the PRODUCT SAFETY NOTICE . Do not degrade the safety of the receiver through improper servicing.

NOTICE:

- The part number must be used when ordering parts, in order to assist in processing, be sure to include the Model number and Description.
- The PC board assembly with * mark is no longer available after the end of the production.

ABBREVIATIONS:

Capacitors	CD : Ceramic Disk	PF : Plastic Film	EL : Electrolytic
Resistors	CF : Carbon Film	CC : Carbon Composition	MF : Metal Film
	OMF : Oxide Metal Film	VR : Variable Resistor	FR : Fusible Resistor

(All CD and PF capacitors are $\pm 5\%$, 50V and all resistors, $\pm 5\%$, 1/6W unless otherwise noted.)

Models : 42WT29B/50WT29B

Location No.	Parts No.	Description
CAPACITORS		
C102	24793221	ELECTROLYTIC, 10V 220UF M
C105	24109102	CERAMIC CHIP, 50V B 1000PF K
C106	24797100	ELECTROLYTIC, 50V 10UF M
C108	24793221	ELECTROLYTIC, 10V 220UF M
C109	24109103	CERAMIC CHIP, 50V B 0.01UF K
C115	24109103	CERAMIC CHIP, 50V B 0.01UF K
C160	24567224	PLASTIC FILM, 50V 0.22UF J
C170	24567104	PLASTIC FILM, 50V 0.1UF J
C205	24797229	ELECTROLYTIC, 50V 2.2UF M
C206	24794100	ELECTROLYTIC, 16V 10UF M
C215	24105101	CERAMIC CHIP, 50V CH 100PF J
C243	24100104	CERAMIC CHIP, 25V F 0.1UF Z
C244	24073019	ELECTROLYTIC, 10V 470UF M 3A
C245	24092621	CERAMIC CHIP, 10V B 1UF K
C246	24105391	CERAMIC CHIP, 50V CH 390PF J
C247	24109122	CERAMIC CHIP, 50V B 1200PF K
C248	24105471	CERAMIC CHIP, 50V CH 470PF J
C249	24105471	CERAMIC CHIP, 50V CH 470PF J
C250	24105471	CERAMIC CHIP, 50V CH 470PF J
C251	24105471	CERAMIC CHIP, 50V CH 470PF J
C252	24105471	CERAMIC CHIP, 50V CH 470PF J
C253	24105471	CERAMIC CHIP, 50V CH 470PF J
C301	24092730	CERAMIC CHIP, 16V B 0.1UF K
C302	24092753	CERAMIC CHIP, 10V B 0.22UF K
C303	24503049	PLASTIC FILM, 63V 0.47UF J
C304	24092730	CERAMIC CHIP, 16V B 0.1UF K
C305	24092730	CERAMIC CHIP, 16V B 0.1UF K
C306	24105102	CERAMIC CHIP, 25V CH 1000PF J
C307	24567105	PLASTIC FILM, 50V 1 UF J
C308	24092733	CERAMIC CHIP, 50V B 22000PF K
C309	24105102	CERAMIC CHIP, 25V CH 1000PF J
C310	24669101	ELECTROLYTIC, 50V 100UF M 3A
C311	24109103	CERAMIC CHIP, 50V B 0.01UF K
C312	24105102	CERAMIC CHIP, 25V CH 1000PF J
C313	24666101	ELECTROLYTIC, 16V 100UF M 3A
C314	24092730	CERAMIC CHIP, 16V B 0.1UF K
C315	24666102	ELECTROLYTIC, 16V 1000UF M 3A
C316	24666102	ELECTROLYTIC, 16V 1000UF M 3A
C317	24109222	CERAMIC CHIP, 50V B 2200PF K
C318	24109222	CERAMIC CHIP, 50V B 2200PF K
C319	24503049	PLASTIC FILM, 63V 0.47UF J

Location No.	Parts No.	Description
C320	24669101	ELECTROLYTIC, 50V 100UF M 3A
C321	24669101	ELECTROLYTIC, 50V 100UF M 3A
C322	24109473	CERAMIC CHIP, 25V B 0.047UF K
C323	24109473	CERAMIC CHIP, 25V B 0.047UF K
C324	24669101	ELECTROLYTIC, 50V 100UF M 3A
C325	24503045	PLASTIC FILM, 63V 0.22UF J
C326	24092730	CERAMIC CHIP, 16V B 0.1UF K
C327	24092753	CERAMIC CHIP, 10V B 0.22UF K
C328	24082260	PLASTIC FILM, 100V 4700PF J
C329	24669100	ELECTROLYTIC, 50V 10UF M 3A
C330	24085946	ELECTROLYTIC, NONPOLAR, 16V 10UF M 3A
C332	24669221	ELECTROLYTIC, 50V 220UF M 3A
C333	24693473	PLASTIC FILM, 100V 0.047UF J
C334	24109471	CERAMIC CHIP, 50V B 470PF K
C335	24092730	CERAMIC CHIP, 16V B 0.1UF K
C338	24666330	ELECTROLYTIC, 16V 33UF M 3A
C339	24667101	ELECTROLYTIC, 25V 100UF M 3A
C340	24666330	ELECTROLYTIC, 16V 33UF M 3A
C370	24669229	ELECTROLYTIC, 50V 2.2UF M 3A
C371	24092730	CERAMIC CHIP, 16V B 0.1UF K
C401	24214332	CERAMIC DISC, 500V B 3300PF K
C402	24214391	CERAMIC DISC, 500V B 390PF K
C403	24667220	ELECTROLYTIC, 25V 22UF M 3A
C405	24503042	PLASTIC FILM, 63V 0.12UF J
C412	24503251	MT PLA CAP T 400V 184J
C415	24092478	CERAMIC DISC, 2KV B 470PF K
C416	24676220	ELECTROLYTIC, 100V 22UF M 3A
\triangle C417	24503141	MT PLA CAP M 250V 155K
\triangle C423	24503144	PLASTIC FILM, 400V 0.33UF J
\triangle C425	24503142	MT PLA CAP T 400V 274J
C426	24211222	CERAMIC DISC, 2KV B 2200PFK
C432	24567333	PLASTIC FILM, 50V 33000PF J
\triangle C440	24503145	MT PLA CAP T 1500VH 222H
\triangle C443	24503146	MT PLA CAP T 1500VH 472H
\triangle C444	24503147	MT PLA CAP T 1500VH 822H
C445	24828473	PLASTIC FILM, 200V 47000PF J
C446	24679330	ELECTROLYTIC, 250V 33UF M 3A
C448	24640908	ELECTROLYTIC, 160V 33UF M 3A LI
C449	24214221	CERAMIC DISC, 500V B 220PF K
C460	24679330	ELECTROLYTIC, 250V 33UF M 3A
\triangle C464	24503343	MT PLA CAP M 100V 335K
C465	24109103	CERAMIC CHIP, 50V B 0.01UF K

Location No.	Parts No.	Description
C466	24109103	CERAMIC CHIP, 50V B 0.01UF K
C467	24820123	PLASTIC FILM, 630V 0.012UF J
C468	24820123	PLASTIC FILM, 630V 0.012UF J
△ C470	24503343	MT PLA CAP M 100V 335K
C481	24666101	ELECTROLYTIC, 16V 100UF M 3A
C482	24092733	CERAMIC CHIP, 50V B 22000PF K
C483	24092733	CERAMIC CHIP, 50V B 22000PF K
C484	24109102	CERAMIC CHIP, 50V B 1000PF K
C501	24100104	CERAMIC CHIP, 25V F 0.1UF Z
C501	24105330	CERAMIC CHIP, 50V CH 33PF J
C502	24100104	CERAMIC CHIP, 25V F 0.1UF Z
C502	24105270	CERAMIC CHIP, 50V CH 27PF J
C503	24794470	ELECTROLYTIC, 16V 47UF M
C504	24109103	CERAMIC CHIP, 50V B 0.01UF K
C505	24794470	ELECTROLYTIC, 16V 47UF M
C506	24109103	CERAMIC CHIP, 50V B 0.01UF K
C507	24100104	CERAMIC CHIP, 25V F 0.1UF Z
C508	24100104	CERAMIC CHIP, 25V F 0.1UF Z
C508	24100104	CERAMIC CHIP, 25V F 0.1UF Z
C509	24100104	CERAMIC CHIP, 25V F 0.1UF Z
C510	24763221	ELECTROLYTIC, 16V 220UF M
C511	24100104	CERAMIC CHIP, 25V F 0.1UF Z
C512	24100104	CERAMIC CHIP, 25V F 0.1UF Z
C512	24100104	CERAMIC CHIP, 25V F 0.1UF Z
C513	24109103	CERAMIC CHIP, 50V B 0.01UF K
C514	24762221	ELECTROLYTIC, 10V 220UF M
C516	24100104	CERAMIC CHIP, 25V F 0.1UF Z
C516	24105110	CERAMIC CHIP, 63V CH 50V 11pF J
C517	24100104	CERAMIC CHIP, 25V F 0.1UF Z
C517	24206478	ELECTROLYTIC, 50V 0.47UF M 7L 3A
C518	24092463	CERAMIC CHIP, 16V B 0.22UF K
C518	24105101	CERAMIC CHIP, 50V CH 100PF J
C519	24073034	ELECTROLYTIC, 16V 10UF M 3A
C519	24797479	ELECTROLYTIC, 50V CH 4.7UF M
C520	24503047	PLASTIC FILM, 63V 0.33UF J
C521	24092733	CERAMIC CHIP, 50V B 22000PF K
C522	24109103	CERAMIC CHIP, 50V B 0.01UF K
C523	24100104	CERAMIC CHIP, 25V F 0.1UF Z
C524	24109103	CERAMIC CHIP, 50V B 0.01UF K
C525	24503041	PLASTIC FILM, 63V 0.1UF J
C526	24109103	CERAMIC CHIP, 50V B 0.01UF K
C526	24590473	PLASTIC FILM, 50V 0.047MF J
C527	24676339	ELECTROLYTIC CE04Q 100V 3.3UF M 3A
C527	24797229	ELECTROLYTIC, 50V 2.2UF M
C528	24100104	CERAMIC CHIP, 25V F 0.1UF Z
C528	24669479	ELECTROLYTIC, 50V 4.7UF M 3A
C529	24082229	PLASTIC FILM, 250V 0.1UF D
C529	24100104	CERAMIC CHIP, 25V F 0.1UF Z
C530	24082229	PLASTIC FILM, 250V 0.1UF D
C530	24206010	ELECTROLYTIC, 50V 1.0UF M 7L 3A
C531	24100104	CERAMIC CHIP, 25V F 0.1UF Z
C532	24100104	CERAMIC CHIP, 25V F 0.1UF Z
C533	24100104	CERAMIC CHIP, 25V F 0.1UF Z
C533	24100104	CERAMIC CHIP, 25V F 0.1UF Z
C534	24073038	ELECTROLYTIC, 16V 100UF M 3A
C534	24100104	CERAMIC CHIP, 25V F 0.1UF Z
C535	24100104	CERAMIC CHIP, 25V F 0.1UF Z
C536	24100104	CERAMIC CHIP, 25V F 0.1UF Z
C537	24100104	CERAMIC CHIP, 25V F 0.1UF Z
C540	24100104	CERAMIC CHIP, 25V F 0.1UF Z
C541	24100104	CERAMIC CHIP, 25V F 0.1UF Z
C542	24100104	CERAMIC CHIP, 25V F 0.1UF Z
C543	24109103	CERAMIC CHIP, 50V B 0.01UF K
C544	24109103	CERAMIC CHIP, 50V B 0.01UF K
C545	24109103	CERAMIC CHIP, 50V B 0.01UF K
C547	24109103	CERAMIC CHIP, 50V B 0.01UF K
C548	24763101	ELECTROLYTIC, 16V 100UF M

Location No.	Parts No.	Description
C563	24206010	ELECTROLYTIC, 50V 1.0UF M 7L 3A
C564	24797479	ELECTROLYTIC, 50V 4.7UF M
C571	24100104	CERAMIC CHIP, 25V F 0.1UF Z
C581	24100104	CERAMIC CHIP, 25V F 0.1UF Z
C582	24100104	CERAMIC CHIP, 25V F 0.1UF Z
C583	24794470	ELECTROLYTIC, 16V 47UF M
C584	24100104	CERAMIC CHIP, 25V F 0.1UF Z
C585	24100104	CERAMIC CHIP, 25V F 0.1UF Z
C599	24794100	ELECTROLYTIC, 16V 10UF M
C601	24619102	ELECTROLYTIC, 16V 47UF M
C601	24797229	ELECTROLYTIC, 50V 2.2UF M
C602	24100104	CERAMIC CHIP, 25V F 0.1UF Z
C602	24797229	ELECTROLYTIC, 50V 2.2UF M
C603	24591102	PLASTIC FILM, 50V 1000PF J
C604	24105271	CERAMIC CHIP, 50V CH 270PF J
C604	24591102	PLASTIC FILM, 50V 1000PF J
C605	24105271	CERAMIC CHIP, 50V CH 270PF J
C605	24669100	ELECTROLYTIC, 50V 10UF M 3A
C606	24669100	ELECTROLYTIC, 50V 10UF M 3A
C607	24667470	ELECTROLYTIC, 25V 47UF M 3A
C608	24667470	ELECTROLYTIC, 25V 47UF M 3A
C609	24105270	CERAMIC CHIP, 50V CH 27PF J
C609	24667470	ELECTROLYTIC, 25V 47UF M 3A
C610	24105270	CERAMIC CHIP, 50V CH 27PF J
C610	24669479	ELECTROLYTIC, 50V 4.7UF M 3A
C612	24669102	ELECTROLYTIC, 50V 1000UF M 3A
C613	24109222	CERAMIC CHIP, 50V B 2200PF K
C613	24503042	PLASTIC FILM, 63V 0.12UF J
C614	24105820	CERAMIC CHIP, 50V CH 82PF J
C614	24503042	PLASTIC FILM, 63V 0.12UF J
C615	24669102	ELECTROLYTIC, 50V 1000UF M 3A
C616	24109222	CERAMIC CHIP, 50V B 2200PF K
C616	24669102	ELECTROLYTIC, 50V 1000UF M 3A
C617	24105820	CERAMIC CHIP, 50V CH 82PF J
C617	24669220	ELECTROLYTIC, 50V 22UF M 3A
C618	24797478	ELECTROLYTIC, 50V 0.47UF M
C619	24619100	ELECTROLYTIC, 16V 10UF M
C619	24794471	ELECTROLYTIC, 16V 470UF M
C620	24105270	CERAMIC CHIP, 50V CH 27PF J
C621	24105270	CERAMIC CHIP, 50V CH 27PF J
C621	24797220	ELECTROLYTIC, 50V 22UF M
C622	24591103	PLASTIC FILM, 50V 0.01UF J
C622	24619100	ELECTROLYTIC, 16V 10UF M
C624	24797100	ELECTROLYTIC, 50V 10UF M
C626	24797478	ELECTROLYTIC, 50V 0.47UF M
C627	24797220	ELECTROLYTIC, 50V 22UF M
C628	24797100	ELECTROLYTIC, 50V 10UF M
C629	24591153	PLASTIC FILM, 50V 0.015MF J
C631	24797220	ELECTROLYTIC, 50V 22UF M
C633	24795221	ELECTROLYTIC, 25V 220UF M
C634	24765101	ELECTROLYTIC, 35V 100UF M
C635	24797100	ELECTROLYTIC, 50V 10UF M
C636	24797100	ELECTROLYTIC, 50V 10UF M
C639	24793222	ELECTROLYTIC, 10V 2200UF M
C641	24797479	ELECTROLYTIC, 50V 4.7UF M
C642	24797479	ELECTROLYTIC, 50V 4.7UF M
C643	24591102	PLASTIC FILM, 50V 1000PF J
C644	24591102	PLASTIC FILM, 50V 1000PF J
C645	24797010	ELECTROLYTIC, 50V 1UF M
C646	24667470	ELECTROLYTIC, 25V 47UF M 3A
C647	24669100	ELECTROLYTIC, 50V 10UF M 3A
C648	24669100	ELECTROLYTIC, 50V 10UF M 3A
C649	24667470	ELECTROLYTIC, 25V 47UF M 3A
C650	24667470	ELECTROLYTIC, 25V 47UF M 3A
C651	24503042	PLASTIC FILM, 63V 0.12UF J
C652	24503042	PLASTIC FILM, 63V 0.12UF J
C653	24668102	ELECTROLYTIC, 35V 1000UF M 3A

Location No.	Parts No.	Description
C654	24668102	ELECTROLYTIC, 35V 1000UF M 3A
C655	24797479	ELECTROLYTIC, 50V 4.7UF M
C656	24591122	PLASTIC FILM, 50V 1200PF J
C657	24503040	MT PLA CAP 63V 0.082UF J
C658	24591102	PLASTIC FILM, 50V 1000PF J
C659	24797010	ELECTROLYTIC, 50V 1UF M
C660	24667470	ELECTROLYTIC, 25V 47UF M 3A
C661	24669100	ELECTROLYTIC, 50V 10UF M 3A
C662	24669100	ELECTROLYTIC, 50V 10UF M 3A
C663	24667470	ELECTROLYTIC, 25V 47UF M 3A
C664	24667470	ELECTROLYTIC, 25V 47UF M 3A
C665	24503042	PLASTIC FILM, 63V 0.12UF J
C666	24503042	PLASTIC FILM, 63V 0.12UF J
C667	24668102	ELECTROLYTIC, 35V 1000UF M 3A
C668	24668102	ELECTROLYTIC, 35V 1000UF M 3A
C669	24668102	ELECTROLYTIC, 35V 1000UF M 3A
C701	24073034	ELECTROLYTIC, 16V 10UF M 3A
C701	24105471	CERAMIC CHIP, 50V CH 470PF J
C702	24073019	ELECTROLYTIC, 10V 470UF M 3A
C702	24591222	PLASTIC FILM, 50V 2200PF J
C703	24100104	CERAMIC CHIP, 25V F 0.1UF Z
C703	24591822	PLASTIC FILM, 50V 8200PF J
C704	24073086	ELECTROLYTIC, 50V 10UF M 3A
C704	24105150	CERAMIC CHIP, 50V CH 15PF J
C704	24232103	CERAMIC DISC, 50V F 10000PF Z
C705	24073090	ELECTROLYTIC, 50V 100UF M 3A
C705	24206479	ELECTROLYTIC, 50V 4.7UF M 7L 3A
C707	24073034	ELECTROLYTIC, 16V 10UF M 3A
C707	24797470	ELECTROLYTIC, 50V 47UF M
C708	24073038	ELECTROLYTIC, 16V 100UF M 3A
C708	24591272	PLASTIC FILM, 50V 2700PF J
C709	24100104	CERAMIC CHIP, 25V F 0.1UF Z
C710	24073038	ELECTROLYTIC, 16V 100UF M 3A
C711	24092730	CERAMIC CHIP, 16V B 0.1UF K
C711	24105471	CERAMIC CHIP, 50V CH 470PF J
C712	24100103	CERAMIC CHIP, 50V F 0.01UF Z
C712	24591222	PLASTIC FILM, 50V 2200PF J
C712	24797470	ELECTROLYTIC, 50V 47UF M
C713	24100103	CERAMIC CHIP, 50V F 0.01UF Z
C713	24591822	PLASTIC FILM, 50V 8200PF J
C713	24790470	ELECTROLYTIC, 160V 47UF M
C714	24100103	CERAMIC CHIP, 50V F 0.01UF Z
C714	24105150	CERAMIC CHIP, 50V CH 15PF J
C715	24109103	CERAMIC CHIP, 50V B 0.01UF K
C715	24214472	CERAMIC DISC, 500C B 4700PF K
C716	24109103	CERAMIC CHIP, 50V B 0.01UF K
C717	24100104	CERAMIC CHIP, 25V F 0.1UF Z
C717	24109103	CERAMIC CHIP, 50V B 0.01UF K
C717	24214472	CERAMIC DISC, 500C B 4700PF K
C718	24100104	CERAMIC CHIP, 25V F 0.1UF Z
C718	24591272	PLASTIC FILM, 50V 2700PF J
C718	24666470	ELECTORLYTIC, 16V 47UF M 3A
C719	24100104	CERAMIC CHIP, 25V F 0.1UF Z
C719	24435560	CERAMIC DISC, 500V SL 56PF J
C720	24100104	CERAMIC CHIP, 25V F 0.1UF Z
C720	24790100	ELECTROLYTIC CE04G 160V 10UF M
C721	24100103	CERAMIC CHIP, 50V F 0.01UF Z
C721	24105471	CERAMIC CHIP, 50V CH 470PF J
C721	24666470	ELECTORLYTIC, 16V 47UF M 3A
C722	24105220	CERAMIC CHIP, 50V CH 22PF J
C722	24591222	PLASTIC FILM, 50V 2200PF J
C723	24105220	CERAMIC CHIP, 50V CH 22PF J
C723	24591822	PLASTIC FILM, 50V 8200PF J
C724	24100104	CERAMIC CHIP, 25V F 0.1UF Z
C724	24105150	CERAMIC CHIP, 50V CH 15PF J
C725	24073038	ELECTROLYTIC, 16V 100UF M 3A
C726	24212102	CERAMIC DISC, 50V B 1000PF K

Location No.	Parts No.	Description
C728	24100104	CERAMIC CHIP, 25V F 0.1UF Z
C728	24591272	PLASTIC FILM, 50V 2700PF J
C729	24100104	CERAMIC CHIP, 25V F 0.1UF Z
C730	24073039	ELECTROLYTIC CE04P 16V 220UF M 3A
C731	24105471	CERAMIC CHIP, 50V CH 470PF J
C731	24109472	CERAMIC CHIP, 50V B 4700PF K
C732	24591222	PLASTIC FILM, 50V 2200PF J
C733	24591822	PLASTIC FILM, 50V 8200PF J
C734	24105150	CERAMIC CHIP, 50V CH 15PF J
C737	24109103	CERAMIC CHIP, 50V B 0.01UF K
C738	24591272	PLASTIC FILM, 50V 2700PF J
C741	24105471	CERAMIC CHIP, 50V CH 470PF J
C742	24591222	PLASTIC FILM, 50V 2200PF J
C743	24591822	PLASTIC FILM, 50V 8200PF J
C744	24105150	CERAMIC CHIP, 50V CH 15PF J
C748	24591272	PLASTIC FILM, 50V 2700PF J
C751	24105471	CERAMIC CHIP, 50V CH 470PF J
C752	24591222	PLASTIC FILM, 50V 2200PF J
C753	24591822	PLASTIC FILM, 50V 8200PF J
C754	24105150	CERAMIC CHIP, 50V CH 15PF J
C757	24109103	CERAMIC CHIP, 50V B 0.01UF K
C758	24591272	PLASTIC FILM, 50V 2700PF J
C760	24797470	ELECTROLYTIC, 50V 47UF M
C761	24212102	CERAMIC DISC, 50V B 1000PF K
C761	24667331	ELECTROLYTIC, 25V 330UF M 3A
C762	24797470	ELECTROLYTIC, 50V 47UF M
C765	24109103	CERAMIC CHIP, 50V B 0.01UF K
C765	24214472	CERAMIC DISC, 500C B 4700PF K
C766	24214472	CERAMIC DISC, 500C B 4700PF K
C766	24669331	ELECTROLYTIC, 50V 330UF M 3A
C767	24567104	PLASTIC FILM, 50V 0.1UF J
C767	24790470	ELECTROLYTIC, 160V 47UF M
C768	24567104	PLASTIC FILM, 50V 0.1UF J
C768	24666470	ELECTORLYTIC, 16V 47UF M 3A
C769	24567104	PLASTIC FILM, 50V 0.1UF J
C769	24666470	ELECTORLYTIC, 16V 47UF M 3A
C770	24435560	CERAMIC DISC, 500V SL 56PF J
C771	24790100	ELECTROLYTIC CE04G 160V 10UF M
C780	24797470	ELECTROLYTIC, 50V 47UF M
C781	24212102	CERAMIC DISC, 50V B 1000PF K
C782	24797470	ELECTROLYTIC, 50V 47UF M
C784	24214472	CERAMIC DISC, 500C B 4700PF K
C786	24214472	CERAMIC DISC, 500C B 4700PF K
C787	24790470	ELECTROLYTIC, 160V 47UF M
C788	24666470	ELECTORLYTIC, 16V 47UF M 3A
C789	24666470	ELECTORLYTIC, 16V 47UF M 3A
C790	24435560	CERAMIC DISC, 500V SL 56PF J
C791	24790100	ELECTROLYTIC CE04G 160V 10UF M
△ C801	24503055	PLASTIC FILM, AC275V 0.22UF M
△ C802	24503055	PLASTIC FILM, AC275V 0.22UF M
C805	24092281	CERAMIC DISC, AC250V E 4700PF
C806	24092281	CERAMIC DISC, AC250V E 4700PF
C810	24086935	400V 560M35F 400V 560UF M 35F
△ C811	24092555	CERAMIC DISC, AC250V E 1000PF M
△ C812	24092555	CERAMIC DISC, AC250V E 1000PF M
C817	24503041	PLASTIC FILM, 63V 0.1UF J
C818	24669010	ELECTROLYTIC, 50V 1.0UF M 3A
C819	24073076	ELECTROLYTIC, 35V 6800UF M 3A
C820	24086072	ELECTROLYTIC CE692R 450V 100UF M 3D
△ C821	24503054	MT PLA AC275V 0.1UF M
△ C822	24092553	CERAMIC DISC, AC250V B 470PF K
C824	24095887	PLASTIC FILM, 630V 11000PF H
C825	24669331	ELECTROLYTIC, 50V 330UF M 3A
C826	24232103	CERAMIC DISC, 50V F 10000PF Z
C827	24436221	CERAMIC DISC, 50V SL 220PF J
C828	24503041	PLASTIC FILM, 63V 0.1UF J
C829	24214471	CERAMIC DISC, 500V B 470PF K

Location No.	Parts No.	Description
C830	24503047	PLASTIC FILM, 63V 0.33UF J
C831	24666101	ELECTROLYTIC, 16V 100UF M 3A
C832	24503047	PLASTIC FILM, 63V 0.33UF J
C833	24666470	ELECTROLYTIC, 16V 47UF M 3A
C834	24503047	PLASTIC FILM, 63V 0.33UF J
C835	24665101	ELECTROLYTIC, 10V 100UF M 3A
C836	24503047	PLASTIC FILM, 63V 0.33UF J
C837	24665470	ELECTROLYTIC, 10V 47UF M 3A
C838	24503047	PLASTIC FILM, 63V 0.33UF J
C839	24665470	ELECTROLYTIC, 10V 47UF M 3A
C841	24503053	PLASTIC FILM, 63V 1UF J
C842	24666101	ELECTROLYTIC, 16V 100UF M 3A
C843	24503041	PLASTIC FILM, 63V 0.1UF J
C848	24666100	ELECTROLYTIC, 10V 10UF M 3A
C849	24666100	ELECTROLYTIC, 10V 10UF M 3A
C850	24667222	ELECTROLYTIC, 25V 2200UF M 3A
C851	24667102	ELECTROLYTIC, 25V 1000UF M 3A
C852	24667472	ELECTROLYTIC, 25V 4700UF M 3A
C853	24667472	ELECTROLYTIC, 25V 4700UF M 3A
C854	24669102	ELECTROLYTIC, 50V 1000UF M 3A
C855	24669331	ELECTROLYTIC, 50V 330UF M 3A
C856	24667102	ELECTROLYTIC, 25V 1000UF M 3A
C860	24214103	CERAMIC DISC, 500V B 10000PF K
C863	24503045	PLASTIC FILM, 63V 0.22UF J
C864	24092474	CERAMIC DISC, 2KV B 220PF K
C866	24503053	PLASTIC FILM, 63V 1UF J
C867	24591472	PLASTIC FILM, 50V 4700PF J
C868	24668101	ELECTROLYTIC, 35V 100UF M 3A
C869	24678229	ELECTROLYTIC, 200V 2.2UF M 3A
△ C870	24503122	PLASTIC CAP T 800V 823J
C871	24092481	CERAMIC DISC, 2KV B 820PF K
C872	24092478	CERAMIC DISC, 2KV B 470PF K
C873	24503045	PLASTIC FILM, 63V 0.22UF J
C874	24214102	CERAMIC DISC, 500V B 1000PF K
C876	24503049	PLASTIC FILM, 63V 0.47UF J
C877	24092480	CERAMIC DISC, 2KV B 680PF K
C880	24503049	PLASTIC FILM, 63V 0.47UF J
C881	24092475	CERAMIC DISC, 2KV B 270PF K
C882	24092475	CERAMIC DISC, 2KV B 270PF K
C883	24666220	ELECTROLYTIC, 16V 22UF M 3A
C884	24086916	ELECTROLYTIC CE692R 160V 330UF M 3D
C885	24666100	ELECTROLYTIC, 10V 10UF M 3A
C886	24669229	ELECTROLYTIC, 50V 2.2UF M 3A
C890	24669222	ELECTROLYTIC, 50V 2200UF M 3A
C891	24082229	PLASTIC FILM, 250V 0.1UF D
C892	24678478	ELECTROLYTIC, 200V 0.47UF M 3A
C894	24667222	ELECTROLYTIC, 25V 2200UF M 3A
C895	24666332	ELECTROLYTIC CE04Q 16V 3300UF M 3A
C898	24092398	CERAMIC DISC, 25V 0.1UF Z, 24092398A NI TOOITSU
C901	24073038	ELECTROLYTIC, 16V 100UF M 3A
C901	24211102	CERAMIC DISC, 2KV B 1000PF K
C902	24794100	ELECTROLYTIC, 16V 10UF M
C903	24100104	CERAMIC CHIP, 25V F 0.1UF Z
C903	24232103	CERAMIC DISC, 50V F 10000PF Z
C904	24100104	CERAMIC CHIP, 25V F 0.1UF Z
C904	24436561	CERAMIC DISC, 50V SL 560PF J
C905	24100104	CERAMIC CHIP, 25V F 0.1UF Z
C906	24619102	ELECTROLYTIC, 16V 47UF M
C907	24100104	CERAMIC CHIP, 25V F 0.1UF Z
C907	24214101	CERAMIC DISC, 500V B 100PF K
C908	24100104	CERAMIC CHIP, 25V F 0.1UF Z
C908	24436390	CERAMIC DISC, 50V SL 39PFJ
C909	24100104	CERAMIC CHIP, 25V F 0.1UF Z
C910	24100104	CERAMIC CHIP, 25V F 0.1UF Z
C911	24100104	CERAMIC CHIP, 25V F 0.1UF Z
C911	24211102	CERAMIC DISC, 2KV B 1000PF K

Location No.	Parts No.	Description
C912	24109682	CERAMIC CHIP CK73B 50V 6800PF K
C912	24794100	ELECTROLYTIC, 16V 10UF M
C913	24232103	CERAMIC DISC, 50V F 10000PF Z
C914	24436471	CERAMIC DISC, 50V SL 470PF J
C915	24679330	ELECTROLYTIC, 250V 33UF M 3A
C917	24214101	CERAMIC DISC, 500V B 100PF K
C918	24503041	PLASTIC FILM, 63V 0.1UF J
C921	24211102	CERAMIC DISC, 2KV B 1000PF K
C922	24794100	ELECTROLYTIC, 16V 10UF M
C923	24436561	CERAMIC DISC, 50V SL 560PF J
C924	24232103	CERAMIC DISC, 50V F 10000PF Z
C926	24214101	CERAMIC DISC, 500V B 100PF K
C927	24503041	PLASTIC FILM, 63V 0.1UF J
C928	24794100	ELECTROLYTIC, 16V 10UF M
C961	24794100	ELECTROLYTIC, 16V 10UF M
C962	24794100	ELECTROLYTIC, 16V 10UF M
C963	24503041	PLASTIC FILM, 63V 0.1UF J
C964	24503041	PLASTIC FILM, 63V 0.1UF J
C4401	24763221	ELECTROLYTIC, 16V 220UF M
C4402	24109103	CERAMIC CHIP, 50V B 0.01UF K
C4403	24797010	ELECTROLYTIC, 50V 1UF M
C4404	24109103	CERAMIC CHIP, 50V B 0.01UF K
C4405	24100104	CERAMIC CHIP, 25V F 0.1UF Z
C4406	24109103	CERAMIC CHIP, 50V B 0.01UF K
C4451	24763101	ELECTROLYTIC, 16V 100UF M
C5020	24109103	CERAMIC CHIP, 50V B 0.01UF K
C5030	24763101	ELECTROLYTIC, 16V 100UF M
C5080	24206010	ELECTROLYTIC, 50V 1.0UF M 7L 3A
C5090	24763101	ELECTROLYTIC, 16V 100UF M
C7702	24105101	CERAMIC CHIP, 50V CH 100PF J
C7747	24667101	ELECTROLYTIC, 25V 100UF M 3A
C7749	24567334	PLASTIC FILM, 50V 0.33UF J
C7750	24667101	ELECTROLYTIC, 25V 100UF M 3A
C7755	24667101	ELECTROLYTIC, 25V 100UF M 3A
C7757	24567334	PLASTIC FILM, 50V 0.33UF J
C7758	24667101	ELECTROLYTIC, 25V 100UF M 3A
C7767	24667101	ELECTROLYTIC, 25V 100UF M 3A
C7769	24109103	CERAMIC CHIP, 50V B 0.01UF K
C7774	24105331	CERAMIC CHIP, 50V CH 330PF J
C7776	24667101	ELECTROLYTIC, 25V 100UF M 3A
C7779	24669479	ELECTROLYTIC, 50V 4.7UF M 3A
C7782	24669221	ELECTROLYTIC, 50V 220UF M 3A
C7785	24667221	ELECTROLYTIC, 25V 220UF M 3A
C7788	24669221	ELECTROLYTIC, 50V 220UF M 3A
C7791	24667221	ELECTROLYTIC, 25V 220UF M 3A
C7792	24109472	CERAMIC CHIP, 50V B 4700PF K
C7793	24567104	PLASTIC FILM, 50V 0.1UF J
C7794	24567104	PLASTIC FILM, 50V 0.1UF J
C7795	24109472	CERAMIC CHIP, 50V B 4700PF K
C7796	24666100	ELECTROLYTIC, 10V 10UF M 3A
C7798	24109102	CERAMIC CHIP, 50V B 1000PF K
C7810	24105471	CERAMIC CHIP, 50V CH 470PF J
C7811	24105471	CERAMIC CHIP, 50V CH 470PF J
C7812	24105331	CERAMIC CHIP, 50V CH 330PF J
C7813	24669221	ELECTROLYTIC, 50V 220UF M 3A
C7814	24669221	ELECTROLYTIC, 50V 220UF M 3A
CA01	24100104	CERAMIC CHIP, 25V F 0.1UF Z
CA02	24100104	CERAMIC CHIP, 25V F 0.1UF Z
CA03	24100104	CERAMIC CHIP, 25V F 0.1UF Z
CA03	24105180	CERAMIC CHIP, 50V CH 18PF J
CA04	24100104	CERAMIC CHIP, 25V F 0.1UF Z
CA04	24105180	CERAMIC CHIP, 50V CH 18PF J
CA05	24619098	ELECTROLYTIC, 6.3V 100UF M
CA06	24619098	ELECTROLYTIC, 6.3V 100UF M
CA07	24100104	CERAMIC CHIP, 25V F 0.1UF Z
CA08	24100104	CERAMIC CHIP, 25V F 0.1UF Z
CA09	24092538	CERAMIC CHIP, 10V F 1UF Z

Location No.	Parts No.	Description
CA09	24105101	CERAMIC CHIP, 50V CH 100PF J
CA10	24100104	CERAMIC CHIP, 25V F 0.1UF Z
CA10	24105101	CERAMIC CHIP, 50V CH 100PF J
CA11	24100104	CERAMIC CHIP, 25V F 0.1UF Z
CA12	24100104	CERAMIC CHIP, 25V F 0.1UF Z
CA12	24105101	CERAMIC CHIP, 50V CH 100PF J
CA13	24100104	CERAMIC CHIP, 25V F 0.1UF Z
CA14	24100104	CERAMIC CHIP, 25V F 0.1UF Z
CA15	24100104	CERAMIC CHIP, 25V F 0.1UF Z
CA15	24105101	CERAMIC CHIP, 50V CH 100PF J
CA16	24100103	CERAMIC CHIP, 50V F 0.01UF Z
CA16	24105101	CERAMIC CHIP, 50V CH 100PF J
CA17	24105101	CERAMIC CHIP, 50V CH 100PF J
CA17	24619103	ELECTROLYTIC, 25V 4.7UF M
CA18	24100104	CERAMIC CHIP, 25V F 0.1UF Z
CA19	24100104	CERAMIC CHIP, 25V F 0.1UF Z
CA20	24100104	CERAMIC CHIP, 25V F 0.1UF Z
CA20	24212101	CERAMIC DISC, 50V B 100PF K
CA21	24100104	CERAMIC CHIP, 25V F 0.1UF Z
CA22	24100103	CERAMIC CHIP, 50V F 0.01UF Z
CA23	24619103	ELECTROLYTIC, 25V 4.7UF M
CA24	24100104	CERAMIC CHIP, 25V F 0.1UF Z
CA25	24100104	CERAMIC CHIP, 25V F 0.1UF Z
CA26	24100104	CERAMIC CHIP, 25V F 0.1UF Z
CA27	24100104	CERAMIC CHIP, 25V F 0.1UF Z
CA28	24100104	CERAMIC CHIP, 25V F 0.1UF Z
CA29	24100104	CERAMIC CHIP, 25V F 0.1UF Z
CA30	24100104	CERAMIC CHIP, 25V F 0.1UF Z
CA31	24100104	CERAMIC CHIP, 25V F 0.1UF Z
CA32	24100104	CERAMIC CHIP, 25V F 0.1UF Z
CA33	24100103	CERAMIC CHIP, 50V F 0.01UF Z
CA33	24100104	CERAMIC CHIP, 25V F 0.1UF Z
CA34	24100104	CERAMIC CHIP, 25V F 0.1UF Z
CA35	24100104	CERAMIC CHIP, 25V F 0.1UF Z
CA36	24100104	CERAMIC CHIP, 25V F 0.1UF Z
CA37	24100104	CERAMIC CHIP, 25V F 0.1UF Z
CA38	24100104	CERAMIC CHIP, 25V F 0.1UF Z
CA39	24100104	CERAMIC CHIP, 25V F 0.1UF Z
CA40	24100104	CERAMIC CHIP, 25V F 0.1UF Z
CA41	24100104	CERAMIC CHIP, 25V F 0.1UF Z
CA42	24619098	ELECTROLYTIC, 6.3V 100UF M
CA42	24794101	ELECTROLYTIC, 16V 100UF M
CA43	24100104	CERAMIC CHIP, 25V F 0.1UF Z
CA43	24109103	CERAMIC CHIP, 50V B 0.01UF K
CA44	24619098	ELECTROLYTIC, 6.3V 100UF M
CA45	24109103	CERAMIC CHIP, 50V B 0.01UF K
CA45	24619098	ELECTROLYTIC, 6.3V 100UF M
CA46	24100104	CERAMIC CHIP, 25V F 0.1UF Z
CA46	24109103	CERAMIC CHIP, 50V B 0.01UF K
CA47	24619102	ELECTROLYTIC, 16V 47UF M
CA48	24619100	ELECTROLYTIC, 16V 10UF M
CA49	24109682	CERAMIC CHIP CK73B 50V 6800PF K
CA50	24100104	CERAMIC CHIP, 25V F 0.1UF Z
CA51	24100104	CERAMIC CHIP, 25V F 0.1UF Z
CA52	24100104	CERAMIC CHIP, 25V F 0.1UF Z
CA53	24100103	CERAMIC CHIP, 50V F 0.01UF Z
CA54	24619103	ELECTROLYTIC, 25V 4.7UF M
CA55	24100104	CERAMIC CHIP, 25V F 0.1UF Z
CA56	24100103	CERAMIC CHIP, 50V F 0.01UF Z
CA57	24100104	CERAMIC CHIP, 25V F 0.1UF Z
CA58	24100104	CERAMIC CHIP, 25V F 0.1UF Z
CA58	24794330	ELECTROLYTIC, 16V 33UF M
CA59	24100104	CERAMIC CHIP, 25V F 0.1UF Z
CA60	24619098	ELECTROLYTIC, 6.3V 100UF M
CA61	24100104	CERAMIC CHIP, 25V F 0.1UF Z
CA62	24092538	CERAMIC CHIP, 10V F 1UF Z
CA63	24092538	CERAMIC CHIP, 10V F 1UF Z

Location No.	Parts No.	Description
CA66	24100104	CERAMIC CHIP, 25V F 0.1UF Z
CA67	24100104	CERAMIC CHIP, 25V F 0.1UF Z
CA68	24794100	ELECTROLYTIC, 16V 10UF M
CA69	24100103	CERAMIC CHIP, 50V F 0.01UF Z
CA70	24100104	CERAMIC CHIP, 25V F 0.1UF Z
CA71	24619098	ELECTROLYTIC, 6.3V 100UF M
CA72	24109472	CERAMIC CHIP, 50V B 4700PF K
CA73	24109472	CERAMIC CHIP, 50V B 4700PF K
CA74	24109472	CERAMIC CHIP, 50V B 4700PF K
CA75	24109682	CERAMIC CHIP CK73B 50V 6800PF K
CA76	24109472	CERAMIC CHIP, 50V B 4700PF K
CA77	24109682	CERAMIC CHIP CK73B 50V 6800PF K
CA80	24619098	ELECTROLYTIC, 6.3V 100UF M
CA81	24100104	CERAMIC CHIP, 25V F 0.1UF Z
CA82	24100104	CERAMIC CHIP, 25V F 0.1UF Z
CA83	24100104	CERAMIC CHIP, 25V F 0.1UF Z
CA84	24100104	CERAMIC CHIP, 25V F 0.1UF Z
CA85	24100104	CERAMIC CHIP, 25V F 0.1UF Z
CA86	24100104	CERAMIC CHIP, 25V F 0.1UF Z
CA89	24100104	CERAMIC CHIP, 25V F 0.1UF Z
CA90	24092538	CERAMIC CHIP, 10V F 1UF Z
CA91	24092538	CERAMIC CHIP, 10V F 1UF Z
CA92	24092538	CERAMIC CHIP, 10V F 1UF Z
CA93	24092538	CERAMIC CHIP, 10V F 1UF Z
CA94	24100104	CERAMIC CHIP, 25V F 0.1UF Z
CA95	24100104	CERAMIC CHIP, 25V F 0.1UF Z
CA96	24100104	CERAMIC CHIP, 25V F 0.1UF Z
CA97	24073038	ELECTROLYTIC, 16V 100UF M 3A
CA98	24100104	CERAMIC CHIP, 25V F 0.1UF Z
CA99	24619103	ELECTROLYTIC, 25V 4.7UF M
CB01	24100104	CERAMIC CHIP, 25V F 0.1UF Z
CB01	24794470	ELECTROLYTIC, 16V 47UF M
CB02	24619103	ELECTROLYTIC, 25V 4.7UF M
CB03	24105220	CERAMIC CHIP, 50V CH 22PF J
CB04	24092538	CERAMIC CHIP, 10V F 1UF Z
CB04	24105220	CERAMIC CHIP, 50V CH 22PF J
CB05	24105470	CERAMIC CHIP, 50V CH 47PF J
CB05	24109222	CERAMIC CHIP, 50V B 2200PF K
CB06	24100104	CERAMIC CHIP, 25V F 0.1UF Z
CB06	24105561	CERAMIC CHIP, 50V CH 560PF J
CB07	24109332	CERAMIC CHIP, 50V B 3300PF K
CB09	24109472	CERAMIC CHIP, 50V B 4700PF K
CB10	24109472	CERAMIC CHIP, 50V B 4700PF K
CB11	24109472	CERAMIC CHIP, 50V B 4700PF K
CB12	24109472	CERAMIC CHIP, 50V B 4700PF K
CB13	24109682	CERAMIC CHIP CK73B 50V 6800PF K
CB14	24109472	CERAMIC CHIP, 50V B 4700PF K
CB15	24109682	CERAMIC CHIP CK73B 50V 6800PF K
CB16	24109472	CERAMIC CHIP, 50V B 4700PF K
CB17	24109682	CERAMIC CHIP CK73B 50V 6800PF K
CB40	24092538	CERAMIC CHIP, 10V F 1UF Z
CB41	24109222	CERAMIC CHIP, 50V B 2200PF K
CB42	24105561	CERAMIC CHIP, 50V CH 560PF J
CB43	24109332	CERAMIC CHIP, 50V B 3300PF K
CB90	24100103	CERAMIC CHIP, 50V F 0.01UF Z
CC01	24100103	CERAMIC CHIP, 50V F 0.01UF Z
CC01	24109103	CERAMIC CHIP, 50V B 0.01UF K
CC02	24100103	CERAMIC CHIP, 50V F 0.01UF Z
CC03	24100103	CERAMIC CHIP, 50V F 0.01UF Z
CC04	24100103	CERAMIC CHIP, 50V F 0.01UF Z
CC04	24105220	CERAMIC CHIP, 50V CH 22PF J
CC05	24105101	CERAMIC CHIP, 50V CH 100PF J
CC05	24109102	CERAMIC CHIP, 50V B 1000PF K
CC06	24105101	CERAMIC CHIP, 50V CH 100PF J
CC06	24109102	CERAMIC CHIP, 50V B 1000PF K
CC07	24105101	CERAMIC CHIP, 50V CH 100PF J
CC08	24109103	CERAMIC CHIP, 50V B 0.01UF K

Location No.	Parts No.	Description
CC09	24105470	CERAMIC CHIP, 50V CH 47PF J
CC10	24105470	CERAMIC CHIP, 50V CH 47PF J
CC11	24105470	CERAMIC CHIP, 50V CH 47PF J
CC12	24109102	CERAMIC CHIP, 50V B 1000PF K
CC13	24100104	CERAMIC CHIP, 25V F 0.1UF Z
CC13	24109102	CERAMIC CHIP, 50V B 1000PF K
CC14	24100104	CERAMIC CHIP, 25V F 0.1UF Z
CC15	24100104	CERAMIC CHIP, 25V F 0.1UF Z
CC16	24109103	CERAMIC CHIP, 50V B 0.01UF K
CC20	24105220	CERAMIC CHIP, 50V CH 22PF J
CC26	24109103	CERAMIC CHIP, 50V B 0.01UF K
CC27	24109103	CERAMIC CHIP, 50V B 0.01UF K
CC30	24100103	CERAMIC CHIP, 50V F 0.01UF Z
CC31	24109102	CERAMIC CHIP, 50V B 1000PF K
CC32	24100103	CERAMIC CHIP, 50V F 0.01UF Z
CC33	24105101	CERAMIC CHIP, 50V CH 100PF J
CC41	24105470	CERAMIC CHIP, 50V CH 47PF J
CC42	24105470	CERAMIC CHIP, 50V CH 47PF J
CC47	24212332	CERAMIC DISC, 50V B 3300PF K
CC48	24212332	CERAMIC DISC, 50V B 3300PF K
CC51	24232103	CERAMIC DISC, 50V F 10000PF Z
CC52	24232103	CERAMIC DISC, 50V F 10000PF Z
CC60	24109223	CERAMIC CHIP, 25V B 0.022UF K
CC61	24109223	CERAMIC CHIP, 25V B 0.022UF K
CC62	24109102	CERAMIC CHIP, 50V B 1000PF K
CC63	24109102	CERAMIC CHIP, 50V B 1000PF K
CC64	24109223	CERAMIC CHIP, 25V B 0.022UF K
CC65	24109223	CERAMIC CHIP, 25V B 0.022UF K
CC66	24109102	CERAMIC CHIP, 50V B 1000PF K
CC67	24109102	CERAMIC CHIP, 50V B 1000PF K
CC68	24109102	CERAMIC CHIP, 50V B 1000PF K
CC69	24109102	CERAMIC CHIP, 50V B 1000PF K
CC70	24109102	CERAMIC CHIP, 50V B 1000PF K
CC71	24109102	CERAMIC CHIP, 50V B 1000PF K
CC72	24109102	CERAMIC CHIP, 50V B 1000PF K
CC73	24109102	CERAMIC CHIP, 50V B 1000PF K
CC74	24109102	CERAMIC CHIP, 50V B 1000PF K
CC75	24109102	CERAMIC CHIP, 50V B 1000PF K
CC76	24109102	CERAMIC CHIP, 50V B 1000PF K
CC77	24109102	CERAMIC CHIP, 50V B 1000PF K
CC78	24109102	CERAMIC CHIP, 50V B 1000PF K
CC82	24105151	CERAMIC CHIP, 50V CH 150PF J
CD04	24232103	CERAMIC DISC, 50V F 10000PF Z
CD81	24100104	CERAMIC CHIP, 25V F 0.1UF Z
CD82	24794100	ELECTROLYTIC, 16V 10UF M
CD83	24092733	CERAMIC CHIP, 50V B 22000PF K
CD84	24092733	CERAMIC CHIP, 50V B 22000PF K
CD85	24100104	CERAMIC CHIP, 25V F 0.1UF Z
CD86	24092733	CERAMIC CHIP, 50V B 22000PF K
CD87	24793221	ELECTROLYTIC, 10V 220UF M
CD88	24109222	CERAMIC CHIP, 50V B 2200PF K
CD89	24794100	ELECTROLYTIC, 16V 10UF M
CE01	24086072	ELECTROLYTIC CE692R 450V 100UF M 3D
CE02	24092333	CERAMIC DISC, 2KV 100PF K
CE04	24503041	PLASTIC FILM , 63V 0.1UF J
CE04A	23960136	ADHESIVE, SILICONE, TSE3843-W
CE05	24212471	CERAMIC DISC, 50V B 470PF K
CE08	24082081	PLASTIC FILM, 630V 0.033UF
CE09	24667470	ELECTROLYTIC, 25V 47UF M 3A
CE10	24591272	PLASTIC FILM, 50V 2700PF J
CE12	24214331	CERAMIC DISC, 500V B 330PF K
CE14	24666472	ELECTROLYTIC CE04Q 16V 4700UF M 3A
CE15	24666472	ELECTROLYTIC CE04Q 16V 4700UF M 3A
CE16	24591102	PLASTIC FILM, 50V 1000PF J
CE17	24503041	PLASTIC FILM , 63V 0.1UF J
CE18	24214331	CERAMIC DISC, 500V B 330PF K
CE19	24617796	ELECTROLYTIC CE04P 25V 330UF M

Location No.	Parts No.	Description
CE20	24640893	ELECTROLYTIC, 100V 47UF M
CE22	24666221	ELECTROLYTIC, 16V 220UF M 3A
CE23	24666221	ELECTROLYTIC, 16V 220UF M 3A
CE27	24503047	PLASTIC FILM, 63V 0.33UF J
CE28	24665101	ELECTROLYTIC, 10V 100UF M 3A
CE29	24666470	ELECTROLYTIC, 16V 47UF M 3A
CE30	24503047	PLASTIC FILM, 63V 0.33UF J
CE31	24667470	ELECTROLYTIC, 25V 47UF M 3A
CE32	24503047	PLASTIC FILM, 63V 0.33UF J
CE33	24665221	ELECTROLYTIC, 10V 220UF M 3A
CE34	24669339	ELECTROLYTIC, 50V 3.3UF M
CE35	24503047	PLASTIC FILM, 63V 0.33UF J
CE36	24666470	ELECTROLYTIC, 16V 47UF M 3A
CE37	24503041	PLASTIC FILM , 63V 0.1UF J
CF71	24100104	CERAMIC CHIP, 25V F 0.1UF Z
CH001	24100104	CERAMIC CHIP, 25V F 0.1UF Z
CH004	24100104	CERAMIC CHIP, 25V F 0.1UF Z
CH005	24100104	CERAMIC CHIP, 25V F 0.1UF Z
CH006	24100104	CERAMIC CHIP, 25V F 0.1UF Z
CH007	24100104	CERAMIC CHIP, 25V F 0.1UF Z
CH008	24100104	CERAMIC CHIP, 25V F 0.1UF Z
CH009	24100104	CERAMIC CHIP, 25V F 0.1UF Z
CH010	24092538	CERAMIC CHIP, 10V F 1UF Z
CH011	24762221	ELECTROLYTIC, 10V 220UF M
CH012	24763101	ELECTROLYTIC, 16V 100UF M
CH013	24763101	ELECTROLYTIC, 16V 100UF M
CH014	24108101	CERAMIC CHIP, 50V SL 100PF J
CH015	24108330	CERAMIC CHIP, 50V SL 33PF J
CH016	24108330	CERAMIC CHIP, 50V SL 33PF J
CH017	24108330	CERAMIC CHIP, 50V SL 33PF J
CH018	24108330	CERAMIC CHIP, 50V SL 33PF J
CH019	24108330	CERAMIC CHIP, 50V SL 33PF J
CH020	24108330	CERAMIC CHIP, 50V SL 33PF J
CH040	24100104	CERAMIC CHIP, 25V F 0.1UF Z
CH041	24108101	CERAMIC CHIP, 50V SL 100PF J
CH042	24108101	CERAMIC CHIP, 50V SL 100PF J
CH043	24108101	CERAMIC CHIP, 50V SL 100PF J
CH044	24108101	CERAMIC CHIP, 50V SL 100PF J
CH045	24108101	CERAMIC CHIP, 50V SL 100PF J
CH046	24108101	CERAMIC CHIP, 50V SL 100PF J
CH047	24108101	CERAMIC CHIP, 50V SL 100PF J
CH048	24108101	CERAMIC CHIP, 50V SL 100PF J
CH051	24100104	CERAMIC CHIP, 25V F 0.1UF Z
CH052	24100104	CERAMIC CHIP, 25V F 0.1UF Z
CH053	24105070	CERAMIC CHIP CC73CH 50V 7PF D
CH061	24109103	CERAMIC CHIP, 50V B 0.01UF K
CH062	24092730	CERAMIC CHIP, 16V B 0.1UF K
CH063	24100104	CERAMIC CHIP, 25V F 0.1UF Z
CH101	24105070	CERAMIC CHIP CC73CH 50V 7PF D
CH102	24105070	CERAMIC CHIP CC73CH 50V 7PF D
CH120	24100104	CERAMIC CHIP, 25V F 0.1UF Z
CH121	24100104	CERAMIC CHIP, 25V F 0.1UF Z
CH122	24100104	CERAMIC CHIP, 25V F 0.1UF Z
CH123	24100104	CERAMIC CHIP, 25V F 0.1UF Z
CH124	24100104	CERAMIC CHIP, 25V F 0.1UF Z
CH125	24100104	CERAMIC CHIP, 25V F 0.1UF Z
CH126	24100104	CERAMIC CHIP, 25V F 0.1UF Z
CH127	24100104	CERAMIC CHIP, 25V F 0.1UF Z
CH128	24108221	CERAMIC CHIP, 50V SL 220PF J
CH129	24108221	CERAMIC CHIP, 50V SL 220PF J
CH140	24100104	CERAMIC CHIP, 25V F 0.1UF Z
CH141	24100104	CERAMIC CHIP, 25V F 0.1UF Z
CH142	24100104	CERAMIC CHIP, 25V F 0.1UF Z
CH143	24100104	CERAMIC CHIP, 25V F 0.1UF Z
CH144	24100104	CERAMIC CHIP, 25V F 0.1UF Z
CH145	24100104	CERAMIC CHIP, 25V F 0.1UF Z
CH146	24100104	CERAMIC CHIP, 25V F 0.1UF Z

Location No.	Parts No.	Description
CH147	24100104	CERAMIC CHIP, 25V F 0.1UF Z
CH148	24108221	CERAMIC CHIP, 50V SL 220PF J
CH149	24108221	CERAMIC CHIP, 50V SL 220PF J
CH160	24100104	CERAMIC CHIP, 25V F 0.1UF Z
CH161	24100104	CERAMIC CHIP, 25V F 0.1UF Z
CH162	24100104	CERAMIC CHIP, 25V F 0.1UF Z
CH163	24100104	CERAMIC CHIP, 25V F 0.1UF Z
CH164	24100104	CERAMIC CHIP, 25V F 0.1UF Z
CH165	24100104	CERAMIC CHIP, 25V F 0.1UF Z
CH166	24100104	CERAMIC CHIP, 25V F 0.1UF Z
CH167	24100104	CERAMIC CHIP, 25V F 0.1UF Z
CH168	24108221	CERAMIC CHIP, 50V SL 220PF J
CH169	24108221	CERAMIC CHIP, 50V SL 220PF J
CH170	24105391	CERAMIC CHIP, 50V CH 390PF J
CH171	24105102	CERAMIC CHIP, 25V CH 1000PF J
CH172	24105331	CERAMIC CHIP, 50V CH 330PF J
CH173	24105102	CERAMIC CHIP, 25V CH 1000PF J
CH174	24105391	CERAMIC CHIP, 50V CH 390PF J
CH175	24105220	CERAMIC CHIP, 50V CH 22PF J
CH176	24105391	CERAMIC CHIP, 50V CH 390PF J
CH177	24105220	CERAMIC CHIP, 50V CH 22PF J
CH178	24105151	CERAMIC CHIP, 50V CH 150PF J
CH179	24105102	CERAMIC CHIP, 25V CH 1000PF J
CH180	24105391	CERAMIC CHIP, 50V CH 390PF J
CH181	24105102	CERAMIC CHIP, 25V CH 1000PF J
CH182	24105391	CERAMIC CHIP, 50V CH 390PF J
CH183	24105220	CERAMIC CHIP, 50V CH 22PF J
CH184	24105391	CERAMIC CHIP, 50V CH 390PF J
CH185	24105220	CERAMIC CHIP, 50V CH 22PF J
CH186	24105331	CERAMIC CHIP, 50V CH 330PF J
CH187	24105102	CERAMIC CHIP, 25V CH 1000PF J
CH188	24105151	CERAMIC CHIP, 50V CH 150PF J
CH189	24105102	CERAMIC CHIP, 25V CH 1000PF J
CH190	24105391	CERAMIC CHIP, 50V CH 390PF J
CH191	24105102	CERAMIC CHIP, 25V CH 1000PF J
CH192	24105391	CERAMIC CHIP, 50V CH 390PF J
CH193	24105220	CERAMIC CHIP, 50V CH 22PF J
CH194	24105331	CERAMIC CHIP, 50V CH 330PF J
CH195	24105102	CERAMIC CHIP, 25V CH 1000PF J
CH196	24105391	CERAMIC CHIP, 50V CH 390PF J
CH197	24105220	CERAMIC CHIP, 50V CH 22PF J
CH198	24105151	CERAMIC CHIP, 50V CH 150PF J
CH199	24105102	CERAMIC CHIP, 25V CH 1000PF J
CH200	24105391	CERAMIC CHIP, 50V CH 390PF J
CH201	24105102	CERAMIC CHIP, 25V CH 1000PF J
CH202	24105220	CERAMIC CHIP, 50V CH 22PF J
CH203	24105391	CERAMIC CHIP, 50V CH 390PF J
CH204	24105391	CERAMIC CHIP, 50V CH 390PF J
CH205	24105220	CERAMIC CHIP, 50V CH 22PF J
CH206	24105331	CERAMIC CHIP, 50V CH 330PF J
CH207	24105102	CERAMIC CHIP, 25V CH 1000PF J
CH208	24105151	CERAMIC CHIP, 50V CH 150PF J
CH209	24105102	CERAMIC CHIP, 25V CH 1000PF J
CH210	24105391	CERAMIC CHIP, 50V CH 390PF J
CH211	24105102	CERAMIC CHIP, 25V CH 1000PF J
CH212	24105331	CERAMIC CHIP, 50V CH 330PF J
CH213	24105102	CERAMIC CHIP, 25V CH 1000PF J
CH223	24105391	CERAMIC CHIP, 50V CH 390PF J
CH224	24105220	CERAMIC CHIP, 50V CH 22PF J
CH225	24105391	CERAMIC CHIP, 50V CH 390PF J
CH226	24105220	CERAMIC CHIP, 50V CH 22PF J
CH227	24105151	CERAMIC CHIP, 50V CH 150PF J
CH228	24105102	CERAMIC CHIP, 25V CH 1000PF J
CH229	24105391	CERAMIC CHIP, 50V CH 390PF J
CH230	24105102	CERAMIC CHIP, 25V CH 1000PF J
CH231	24105391	CERAMIC CHIP, 50V CH 390PF J
CH232	24105220	CERAMIC CHIP, 50V CH 22PF J

Location No.	Parts No.	Description
CH233	24105391	CERAMIC CHIP, 50V CH 390PF J
CH234	24105220	CERAMIC CHIP, 50V CH 22PF J
CH235	24105331	CERAMIC CHIP, 50V CH 330PF J
CH236	24105102	CERAMIC CHIP, 25V CH 1000PF J
CH237	24105151	CERAMIC CHIP, 50V CH 150PF J
CH238	24105102	CERAMIC CHIP, 25V CH 1000PF J
CH241	24100104	CERAMIC CHIP, 25V F 0.1UF Z
CH242	24100104	CERAMIC CHIP, 25V F 0.1UF Z
CH243	24100104	CERAMIC CHIP, 25V F 0.1UF Z
CH244	24100104	CERAMIC CHIP, 25V F 0.1UF Z
CH245	24100104	CERAMIC CHIP, 25V F 0.1UF Z
CH247	24100104	CERAMIC CHIP, 25V F 0.1UF Z
CH249	24092730	CERAMIC CHIP, 16V B 0.1UF K
CH250	24092730	CERAMIC CHIP, 16V B 0.1UF K
CR01	24206010	ELECTROLYTIC, 50V 1.0UF M 7L 3A
CR02	24100103	CERAMIC CHIP, 50V F 0.01UF Z
CR09	24100104	CERAMIC CHIP, 25V F 0.1UF Z
CR10	24794470	ELECTROLYTIC, 16V 47UF M
CR11	24100104	CERAMIC CHIP, 25V F 0.1UF Z
CR12	24100104	CERAMIC CHIP, 25V F 0.1UF Z
CR13	24100104	CERAMIC CHIP, 25V F 0.1UF Z
CR14	24100104	CERAMIC CHIP, 25V F 0.1UF Z
CR18	24100104	CERAMIC CHIP, 25V F 0.1UF Z
CR19	24100104	CERAMIC CHIP, 25V F 0.1UF Z
CR20	24100104	CERAMIC CHIP, 25V F 0.1UF Z
CR99	24100104	CERAMIC CHIP, 25V F 0.1UF Z
CS01	24797229	ELECTROLYTIC, 50V 2.2UF M
CS02	24797229	ELECTROLYTIC, 50V 2.2UF M
CS03	24797229	ELECTROLYTIC, 50V 2.2UF M
CS04	24797229	ELECTROLYTIC, 50V 2.2UF M
CS05	24797229	ELECTROLYTIC, 50V 2.2UF M
CS06	24797229	ELECTROLYTIC, 50V 2.2UF M
CS07	24797229	ELECTROLYTIC, 50V 2.2UF M
CS08	24797229	ELECTROLYTIC, 50V 2.2UF M
CS09	24797229	ELECTROLYTIC, 50V 2.2UF M
CS10	24797229	ELECTROLYTIC, 50V 2.2UF M
CS11	24794100	ELECTROLYTIC, 16V 10UF M
CS12	24794100	ELECTROLYTIC, 16V 10UF M
CS13	24794100	ELECTROLYTIC, 16V 10UF M
CS14	24794100	ELECTROLYTIC, 16V 10UF M
CS18	24794100	ELECTROLYTIC, 16V 10UF M
CS19	24794100	ELECTROLYTIC, 16V 10UF M
CS20	24797478	ELECTROLYTIC, 50V 0.47UF M
CS21	24794101	ELECTROLYTIC, 16V 100UF M
CS22	24797478	ELECTROLYTIC, 50V 0.47UF M
CS23	24797478	ELECTROLYTIC, 50V 0.47UF M
CS24	24797229	ELECTROLYTIC, 50V 2.2UF M
CS25	24797229	ELECTROLYTIC, 50V 2.2UF M
CT01	24792221	ELECTROLYTIC CE04G 6.3V 220UF M
CT02	24109103	CERAMIC CHIP, 50V B 0.01UF K
CT03	24109103	CERAMIC CHIP, 50V B 0.01UF K
CT04	24793101	ELECTROLYTIC, 10V 100UF M
CT05	24100104	CERAMIC CHIP, 25V F 0.1UF Z
CT06	24793470	ELECTROLYTIC CE04G 10V 47UF M
CT07	24092538	CERAMIC CHIP, 10V F 1UF Z
CT08	24105560	CERAMIC CHIP, 50V CH 56PF J
CT09	24105560	CERAMIC CHIP, 50V CH 56PF J
CT10	24793470	ELECTROLYTIC CE04G 10V 47UF M
CT11	24100104	CERAMIC CHIP, 25V F 0.1UF Z
CT12	24793470	ELECTROLYTIC CE04G 10V 47UF M
CT13	24100104	CERAMIC CHIP, 25V F 0.1UF Z
CT14	24100104	CERAMIC CHIP, 25V F 0.1UF Z
CT17	24100104	CERAMIC CHIP, 25V F 0.1UF Z
CT19	24794100	ELECTROLYTIC, 16V 10UF M
CT20	24109103	CERAMIC CHIP, 50V B 0.01UF K
CT23	24100104	CERAMIC CHIP, 25V F 0.1UF Z
CT99	24763102	ELECTROLYTIC, 16V 1000UF M

Location No.	Parts No.	Description
CV02	24092743	CERAMIC CHIP, 10V F 470NF Z
CV03	24092743	CERAMIC CHIP, 10V F 470NF Z
CV04	24092743	CERAMIC CHIP, 10V F 470NF Z
CV05	24100104	CERAMIC CHIP, 25V F 0.1UF Z
CV06	24092743	CERAMIC CHIP, 10V F 470NF Z
CV07	24100104	CERAMIC CHIP, 25V F 0.1UF Z
CV08	24203101	ELECTROLYTIC, 16V 100UF M 7L 3A
CV09	24092743	CERAMIC CHIP, 10V F 470NF Z
CV10	24794100	ELECTROLYTIC, 16V 10UF M
CV12	24100104	CERAMIC CHIP, 25V F 0.1UF Z
CV23	24203101	ELECTROLYTIC, 16V 100UF M 7L 3A
CV24	24100104	CERAMIC CHIP, 25V F 0.1UF Z
CV25	24794470	ELECTROLYTIC, 16V 47UF M
CV35	24100104	CERAMIC CHIP, 25V F 0.1UF Z
CV40	24100104	CERAMIC CHIP, 25V F 0.1UF Z
CV42	24092743	CERAMIC CHIP, 10V F 470NF Z
CV43	24092743	CERAMIC CHIP, 10V F 470NF Z
CV44	24092743	CERAMIC CHIP, 10V F 470NF Z
CV62	24203101	ELECTROLYTIC, 16V 100UF M 7L 3A
CV65	24203101	ELECTROLYTIC, 16V 100UF M 7L 3A
CV66	24203101	ELECTROLYTIC, 16V 100UF M 7L 3A
CX101	24794470	ELECTROLYTIC, 16V 47UF M
CX102	24085981	ELEC. NONPOLAR CE04J 16V 10UF M 11L NP
CX104	24100104	CERAMIC CHIP, 25V F 0.1UF Z
CX105	24105330	CERAMIC CHIP, 50V CH 33PF J
CX106	24105270	CERAMIC CHIP, 50V CH 27PF J
CX107	24105101	CERAMIC CHIP, 50V CH 100PF J
CX108	24100104	CERAMIC CHIP, 25V F 0.1UF Z
CX110	24797479	ELECTROLYTIC, 50V 4.7UF M
CX112	24794100	ELECTROLYTIC, 16V 10UF M
CX113	24100104	CERAMIC CHIP, 25V F 0.1UF Z
CX114	24100104	CERAMIC CHIP, 25V F 0.1UF Z
CX115	24100104	CERAMIC CHIP, 25V F 0.1UF Z
CX116	24100104	CERAMIC CHIP, 25V F 0.1UF Z
CX117	24100104	CERAMIC CHIP, 25V F 0.1UF Z
CX118	24794100	ELECTROLYTIC, 16V 10UF M
CX119	24794100	ELECTROLYTIC, 16V 10UF M
CX120	24794100	ELECTROLYTIC, 16V 10UF M
CX121	24105221	CERAMIC CHIP, 50V CH 220PF J
CX122	24100104	CERAMIC CHIP, 25V F 0.1UF Z
CX123	24100104	CERAMIC CHIP, 25V F 0.1UF Z
CX124	24100104	CERAMIC CHIP, 25V F 0.1UF Z
CX125	24794100	ELECTROLYTIC, 16V 10UF M
CX126	24100104	CERAMIC CHIP, 25V F 0.1UF Z
CX128	24092538	CERAMIC CHIP, 10V F 1UF Z
CX129	24100104	CERAMIC CHIP, 25V F 0.1UF Z
CX143	24085981	ELEC. NONPOLAR CE04J 16V 10UF M 11L NP
CX145	24100104	CERAMIC CHIP, 25V F 0.1UF Z
CX148	24105101	CERAMIC CHIP, 50V CH 100PF J
CX149	24105470	CERAMIC CHIP, 50V CH 47PF J
CX150	24105271	CERAMIC CHIP, 50V CH 270PF J
CX151	24100104	CERAMIC CHIP, 25V F 0.1UF Z
CX152	24794100	ELECTROLYTIC, 16V 10UF M
CX155	24100104	CERAMIC CHIP, 25V F 0.1UF Z
CX156	24794100	ELECTROLYTIC, 16V 10UF M
CX157	24100104	CERAMIC CHIP, 25V F 0.1UF Z
CX159	24092538	CERAMIC CHIP, 10V F 1UF Z
CX160	24100104	CERAMIC CHIP, 25V F 0.1UF Z
CX163	24085981	ELEC. NONPOLAR CE04J 16V 10UF M 11L NP
CX165	24100104	CERAMIC CHIP, 25V F 0.1UF Z
CX168	24105101	CERAMIC CHIP, 50V CH 100PF J
CX169	24105470	CERAMIC CHIP, 50V CH 47PF J
CX170	24105271	CERAMIC CHIP, 50V CH 270PF J
CX171	24100104	CERAMIC CHIP, 25V F 0.1UF Z
CX172	24794100	ELECTROLYTIC, 16V 10UF M
CX176	24794100	ELECTROLYTIC, 16V 10UF M
CX177	24100104	CERAMIC CHIP, 25V F 0.1UF Z

Location No.	Parts No.	Description
CX179	24092538	CERAMIC CHIP, 10V F 1UF Z
CX180	24100104	CERAMIC CHIP, 25V F 0.1UF Z
CX184	24100104	CERAMIC CHIP, 25V F 0.1UF Z
CX185	24100104	CERAMIC CHIP, 25V F 0.1UF Z
CX186	24100104	CERAMIC CHIP, 25V F 0.1UF Z
CX187	24794100	ELECTROLYTIC, 16V 10UF M
CX188	24794100	ELECTROLYTIC, 16V 10UF M
CX189	24794100	ELECTROLYTIC, 16V 10UF M
CX190	24105330	CERAMIC CHIP, 50V CH 33PF J
CX191	24100104	CERAMIC CHIP, 25V F 0.1UF Z
CX192	24100104	CERAMIC CHIP, 25V F 0.1UF Z
CX193	24100104	CERAMIC CHIP, 25V F 0.1UF Z
CX201	24100104	CERAMIC CHIP, 25V F 0.1UF Z
CX202	24100104	CERAMIC CHIP, 25V F 0.1UF Z
CX204	24100104	CERAMIC CHIP, 25V F 0.1UF Z
CX205	24100104	CERAMIC CHIP, 25V F 0.1UF Z
CX206	24100104	CERAMIC CHIP, 25V F 0.1UF Z
CX208	24100104	CERAMIC CHIP, 25V F 0.1UF Z
CX209	24100104	CERAMIC CHIP, 25V F 0.1UF Z
CX211	24100104	CERAMIC CHIP, 25V F 0.1UF Z
CX212	24100104	CERAMIC CHIP, 25V F 0.1UF Z
CX214	24100104	CERAMIC CHIP, 25V F 0.1UF Z
CX215	24100104	CERAMIC CHIP, 25V F 0.1UF Z
CX216	24100104	CERAMIC CHIP, 25V F 0.1UF Z
CX218	24794221	ELECTROLYTIC, 16V 220UF M
CX221	24100104	CERAMIC CHIP, 25V F 0.1UF Z
CX222	24100104	CERAMIC CHIP, 25V F 0.1UF Z
CX224	24100104	CERAMIC CHIP, 25V F 0.1UF Z
CX225	24794220	ELECTROLYTIC, 16V 22UF M
CX226	24794101	ELECTROLYTIC, 16V 100UF M
CX227	24100104	CERAMIC CHIP, 25V F 0.1UF Z
CX228	24100104	CERAMIC CHIP, 25V F 0.1UF Z
CX230	24100104	CERAMIC CHIP, 25V F 0.1UF Z
CX231	24100104	CERAMIC CHIP, 25V F 0.1UF Z
CX232	24100104	CERAMIC CHIP, 25V F 0.1UF Z
CX234	24100104	CERAMIC CHIP, 25V F 0.1UF Z
CX235	24797229	ELECTROLYTIC, 50V 2.2UF M
CX236	24794101	ELECTROLYTIC, 16V 100UF M
CX237	24100104	CERAMIC CHIP, 25V F 0.1UF Z
CX238	24100104	CERAMIC CHIP, 25V F 0.1UF Z
CX239	24100104	CERAMIC CHIP, 25V F 0.1UF Z
CX240	24100104	CERAMIC CHIP, 25V F 0.1UF Z
CX261	24100104	CERAMIC CHIP, 25V F 0.1UF Z
CX262	24105470	CERAMIC CHIP, 50V CH 47PF J
CX271	24100104	CERAMIC CHIP, 25V F 0.1UF Z
CX301	24794100	ELECTROLYTIC, 16V 10UF M
CX302	24100104	CERAMIC CHIP, 25V F 0.1UF Z
CX303	24100104	CERAMIC CHIP, 25V F 0.1UF Z
CX305	24100104	CERAMIC CHIP, 25V F 0.1UF Z
CX306	24100104	CERAMIC CHIP, 25V F 0.1UF Z
CX308	24100104	CERAMIC CHIP, 25V F 0.1UF Z
CX309	24100104	CERAMIC CHIP, 25V F 0.1UF Z
CX310	24100104	CERAMIC CHIP, 25V F 0.1UF Z
CX321	24794100	ELECTROLYTIC, 16V 10UF M
CX323	24100104	CERAMIC CHIP, 25V F 0.1UF Z
CX326	24105680	CERAMIC CHIP, 50V CH 68PF J
CX328	24105330	CERAMIC CHIP, 50V CH 33PF J
CX330	24794470	ELECTROLYTIC, 16V 47UF M
CX341	24794100	ELECTROLYTIC, 16V 10UF M
CX343	24100104	CERAMIC CHIP, 25V F 0.1UF Z
CX346	24105181	CERAMIC CHIP, 50V CH 180PF J
CX348	24105181	CERAMIC CHIP, 50V CH 180PF J
CX361	24794100	ELECTROLYTIC, 16V 10UF M
CX363	24100104	CERAMIC CHIP, 25V F 0.1UF Z
CX366	24105181	CERAMIC CHIP, 50V CH 180PF J
CX368	24105181	CERAMIC CHIP, 50V CH 180PF J
CX401	24100104	CERAMIC CHIP, 25V F 0.1UF Z

Location No.	Parts No.	Description
CX402	24100104	CERAMIC CHIP, 25V F 0.1UF Z
CX403	24100104	CERAMIC CHIP, 25V F 0.1UF Z
CX404	24100104	CERAMIC CHIP, 25V F 0.1UF Z
CX405	24794471	ELECTROLYTIC, 16V 470UF M
CX406	24794471	ELECTROLYTIC, 16V 470UF M
CX407	24105220	CERAMIC CHIP, 50V CH 22PF J
CX408	24105220	CERAMIC CHIP, 50V CH 22PF J
CX409	24105220	CERAMIC CHIP, 50V CH 22PF J
CX410	24105220	CERAMIC CHIP, 50V CH 22PF J
CX411	24105220	CERAMIC CHIP, 50V CH 22PF J
CX412	24105220	CERAMIC CHIP, 50V CH 22PF J
CX421	24105221	CERAMIC CHIP, 50V CH 220PF J
CX422	24105221	CERAMIC CHIP, 50V CH 220PF J
CX423	24105221	CERAMIC CHIP, 50V CH 220PF J
CX424	24105221	CERAMIC CHIP, 50V CH 220PF J
CX425	24105221	CERAMIC CHIP, 50V CH 220PF J
CX426	24105330	CERAMIC CHIP, 50V CH 33PF J
CX427	24105221	CERAMIC CHIP, 50V CH 220PF J
CX428	24105330	CERAMIC CHIP, 50V CH 33PF J
CX429	24105330	CERAMIC CHIP, 50V CH 33PF J
CX430	24105221	CERAMIC CHIP, 50V CH 220PF J
CX431	24073020	ELECTROLYTIC, 10V 1000UF M 3A
CX432	24092742	CERAMIC CHIP, 10V F 0.33UF Z
CX433	24100104	CERAMIC CHIP, 25V F 0.1UF Z
CX434	24092734	CERRMIC CHIP CK73F 16V 220000PF Z
CX435	24100104	CERAMIC CHIP, 25V F 0.1UF Z
CX436	24073035	ELECTROLYTIC CE04P 16V 22UF M 3A
CX601	24794470	ELECTORLYTIC, 16V 47UF M
CX602	24100104	CERAMIC CHIP, 25V F 0.1UF Z
CX603	24100104	CERAMIC CHIP, 25V F 0.1UF Z
CX604	24100104	CERAMIC CHIP, 25V F 0.1UF Z
CX605	24100104	CERAMIC CHIP, 25V F 0.1UF Z
CX606	24100104	CERAMIC CHIP, 25V F 0.1UF Z
CX607	24100104	CERAMIC CHIP, 25V F 0.1UF Z
CX611	24794470	ELECTORLYTIC, 16V 47UF M
CX612	24100104	CERAMIC CHIP, 25V F 0.1UF Z
CX613	24100104	CERAMIC CHIP, 25V F 0.1UF Z
CX614	24100104	CERAMIC CHIP, 25V F 0.1UF Z
CX615	24100104	CERAMIC CHIP, 25V F 0.1UF Z
CX616	24100104	CERAMIC CHIP, 25V F 0.1UF Z
CX617	24100104	CERAMIC CHIP, 25V F 0.1UF Z
CX621	24100104	CERAMIC CHIP, 25V F 0.1UF Z
CX622	24105330	CERAMIC CHIP, 50V CH 33PF J
CZ01	24100104	CERAMIC CHIP, 25V F 0.1UF Z
CZ02	24109103	CERAMIC CHIP, 50V B 0.01UF K
CZ03	24092538	CERAMIC CHIP, 10V F 1UF Z
CZ04	24100104	CERAMIC CHIP, 25V F 0.1UF Z
CZ05	24109103	CERAMIC CHIP, 50V B 0.01UF K
CZ06	24100104	CERAMIC CHIP, 25V F 0.1UF Z
CZ07	24100104	CERAMIC CHIP, 25V F 0.1UF Z
CZ08	24100104	CERAMIC CHIP, 25V F 0.1UF Z
CZ09	24105220	CERAMIC CHIP, 50V CH 22PF J
CZ10	24105100	CERAMIC CHIP, 50V CH 10PF D
CZ11	24105220	CERAMIC CHIP, 50V CH 22PF J
CZ12	24109103	CERAMIC CHIP, 50V B 0.01UF K
CZ13	24109103	CERAMIC CHIP, 50V B 0.01UF K
CZ14	24794101	ELECTROLYTIC, 16V 100UF M
CZ15	24109103	CERAMIC CHIP, 50V B 0.01UF K
CZ16	24100104	CERAMIC CHIP, 25V F 0.1UF Z
CZ17	24109103	CERAMIC CHIP, 50V B 0.01UF K
CZ19	24105681	CERAMIC CHIP, 50V 680PF J
CZ20	24092730	CERAMIC CHIP, 16V B 0.1UF K
CZ21	24105102	CERAMIC CHIP, 25V CH 1000PF J
CZ22	24794100	ELECTROLYTIC, 16V 10UF M
CZ23	24109103	CERAMIC CHIP, 50V B 0.01UF K
CZ24	24109103	CERAMIC CHIP, 50V B 0.01UF K
CZ25	24794100	ELECTROLYTIC, 16V 10UF M

Location No.	Parts No.	Description
CZ26	24109103	CERAMIC CHIP, 50V B 0.01UF K
CZ28	24109103	CERAMIC CHIP, 50V B 0.01UF K
CZ29	24109103	CERAMIC CHIP, 50V B 0.01UF K
CZ30	24794101	ELECTROLYTIC, 16V 100UF M
CZ31	24100104	CERAMIC CHIP, 25V F 0.1UF Z
CZ32	24105470	CERAMIC CHIP, 50V CH 47PF J
CZ33	24105330	CERAMIC CHIP, 50V CH 33PF J
CZ34	24105101	CERAMIC CHIP, 50V CH 100PF J
CZ35	24105270	CERAMIC CHIP, 50V CH 27PF J
RESISTORS		
R101	24383153	OXIDE METAL FILM, 2W 15K OHM J
R229	24011472	CHIP, METAL FILM, 1/20W 4.7K OHM J
R231	24011222	CHIP, METAL FILM, 1/20W 2.2K OHM J
R235	24011222	CHIP, METAL FILM, 1/20W 2.2K OHM J
R236	24011101	CHIP, METAL FILM, 1/20W 100 OHM J
R237	24011101	CHIP, METAL FILM, 1/20W 100 OHM J
R237	24998750	CHIP, 1/16W 75 OHM
R238	24011682	CHIP, METAL FILM, 1/20W 6.8K OHM J
R241	24367473	CARBON FILM, 1/6W 47K OHM G
R242	24367153	CARBON FILM, 1/6W 15K OHM G
R243	24367333	CARBON FILM, 1/6W 33K OHM G
R244	24366823	CARBON FILM, 1/6W 82K OHM J
R245	24011104	CHIP, METAL FILM, 1/20W 100K OHM J
R245	24366123	CARBON FILM, 1/6W 12K OHM J
R246	24366103	CARBON FILM, 1/6W 10K OHM J
R247	24366102	CARBON FILM, 1/6W 1K OHM J
R267	24998240	CHIP, METAL FILM, 1/16W 24 OHM D
R271	24011103	CHIP, METAL FILM, 1/20W 10K OHM J
R271	24998750	CHIP, 1/16W 75 OHM
R272	24011103	CHIP, METAL FILM, 1/20W 10K OHM J
R272	24998750	CHIP, 1/16W 75 OHM
R273	24998750	CHIP, 1/16W 75 OHM
R301	24011103	CHIP, METAL FILM, 1/20W 10K OHM J
R302	24011101	CHIP, METAL FILM, 1/20W 100 OHM J
R303	24011103	CHIP, METAL FILM, 1/20W 10K OHM J
R304	24011103	CHIP, METAL FILM, 1/20W 10K OHM J
R305	24322828	OXIDE METAL FILM, 1W 0.82 OHM J
R306	24011123	CHIP, METAL FILM, 1/20W 12K OHM J
R307	24011101	CHIP, METAL FILM, 1/20W 100 OHM J
R308	24011101	CHIP, METAL FILM, 1/20W 100 OHM J
R310	24011562	CHIP, METAL FILM, 1/20W 5.6K OHM J
R312	24011103	CHIP, METAL FILM, 1/20W 10K OHM J
R314	24011473	CHIP, METAL FILM, 1/20W 47K OHM J
R315	24011821	CHIP, METAL FILM, 1/20W 820 OHM J
R316	24011102	CHIP, METAL FILM, 1/20W 1K OHM J
R319	24011153	CHIP, METAL FILM, 1/20W 15K OHM J
R320	24000249	METAL FILM, 1/4W 47K OHM F
R321	24011472	CHIP, METAL FILM, 1/20W 4.7K OHM J
R322	24000637	METAL FILM, 1/4W 15K OHM F
R323	24000631	METAL FILM, 1/4W 8.2K F
R324	24011103	CHIP, METAL FILM, 1/20W 10K OHM J
R325	24011472	CHIP, METAL FILM, 1/20W 4.7K OHM J
R326	24019388	CHIP, 1/16W 10K OHM F
R327	24011103	CHIP, METAL FILM, 1/20W 10K OHM J
R328	24000633	METAL FILM, 1/4W 10K OHM F
R329	24019388	CHIP, 1/16W 10K OHM F
R330	24000221	METAL FILM, 1/4W 20K OHM F
R331	24019119	METAL FILM, 1/6W 30K OHM J
R332	24000525	METAL FILM, 1/4W 4.7K OHM F
R333	24011103	CHIP, METAL FILM, 1/20W 10K OHM J
R334	24011102	CHIP, METAL FILM, 1/20W 1K OHM J
R335	24011102	CHIP, METAL FILM, 1/20W 1K OHM J
R336	24011102	CHIP, METAL FILM, 1/20W 1K OHM J
R337	24321129	OXIDE METAL FILM, 1/2W 1.2 OHM J
R338	24011123	CHIP, METAL FILM, 1/20W 12K OHM J
R339	24011393	CHIP, METAL FILM, 1/20W 39K OHM J

Location No.	Parts No.	Description
R340	24011824	CHIP, METAL FILM, 1/20W 820K OHM J
R341	24011273	CHIP, METAL FILM, 1/20W 27K OHM J
R342	24011822	CHIP, METAL FILM, 1/20W 8.2K OHM J
R343	24011102	CHIP, METAL FILM, 1/20W 1K OHM J
R344	24382271	OXIDE METAL FILM, 1W 270 OHM J
R346	24382391	OXIDE METAL FILM, 1W 390 OHM J
R347	24011103	CHIP, METAL FILM, 1/20W 10K OHM J
R348	24011103	CHIP, METAL FILM, 1/20W 10K OHM J
R349	24011392	CHIP, METAL FILM, 1/20W 3.9K OHM J
R350	24011822	CHIP, METAL FILM, 1/20W 8.2K OHM J
R355	24011223	CHIP, METAL FILM, 1/20W 22K OHM J
R359	24011102	CHIP, METAL FILM, 1/20W 1K OHM J
R360	24011103	CHIP, METAL FILM, 1/20W 10K OHM J
R362	24011153	CHIP, METAL FILM, 1/20W 15K OHM J
R363	24011472	CHIP, METAL FILM, 1/20W 4.7K OHM J
R364	24011102	CHIP, METAL FILM, 1/20W 1K OHM J
R365	24011222	CHIP, METAL FILM, 1/20W 2.2K OHM J
R370	24011102	CHIP, METAL FILM, 1/20W 1K OHM J
R371	24011823	CHIP, METAL FILM, 1/20W 82K OHM J
R372	24011332	CHIP, METAL FILM, 1/20W 3.3K OHM J
R373	24011823	CHIP, METAL FILM, 1/20W 82K OHM J
R374	24011104	CHIP, METAL FILM, 1/20W 100K OHM J
R375	24011153	CHIP, METAL FILM, 1/20W 15K OHM J
R376	24011333	CHIP, METAL FILM, 1/20W 33K OHM J
R377	24011102	CHIP, METAL FILM, 1/20W 1K OHM J
R378	24011332	CHIP, METAL FILM, 1/20W 3.3K OHM J
R382	24011472	CHIP, METAL FILM, 1/20W 4.7K OHM J
R383	24011102	CHIP, METAL FILM, 1/20W 1K OHM J
R384	24011222	CHIP, METAL FILM, 1/20W 2.2K OHM J
R390	24382561	OXIDE METAL FILM, 1W 560 OHM J
R391	24382561	OXIDE METAL FILM, 1W 560 OHM J
R392	24382561	OXIDE METAL FILM, 1W 560 OHM J
R403	24382101	OXIDE METAL FILM, 1W 100 OHM J
R404	24366332	CARBON FILM, 1/6W 3.3K OHM J
R405	24011101	CHIP, METAL FILM, 1/20W 100 OHM J
R406	24382222	OXIDE METAL FILM, 1W 2.2K OHM J
R407	24381100	OXIDE METAL FILM, 1/2W 10 OHM J
R409	24555220	OXIDE METAL FILM, 3W 22 OHM J
R410	24555220	OXIDE METAL FILM, 3W 22 OHM J
R411	24323229	OXIDE METAL FILM, 2W 2.2 OHM J
R412	24383223	OXIDE METAL FILM, 2W 22K OHM J
R413	24011101	CHIP, METAL FILM, 1/20W 100 OHM J
R414	24019259	FUSIBLE, 1/4W 27 OHM G
R415	24011102	CHIP, METAL FILM, 1/20W 1K OHM J
R416	24383121	OXIDE METAL FILM, 1/2W 120 OHM J
R418	24382104	OXIDE METAL FILM, 1W 100K OHM J
R419	24942102	CARBON COMPOSITION, 1/2W 1K OHM J
R420	24011103	CHIP, METAL FILM, 1/20W 10K OHM J
R421	24366223	CARBON FILM, 1/6W 22K OHM J
R422	24366223	CARBON FILM, 1/6W 22K OHM J
R431	24383102	OXIDE METAL FILM, 2W 1K OHM J
R432	24376274	CARBON FILM, 1/2W 270K OHM J
R433	24376274	CARBON FILM, 1/2W 270K OHM J
R434	24376274	CARBON FILM, 1/2W 270K OHM J
R435	24011472	CHIP, METAL FILM, 1/20W 4.7K OHM J
R441	24533331	FUSIBLE, 2W 330 OHM J
R443	24988011	METAL FILM, 1/2W 1 OHM J
R444	24322398	OXIDE METAL FILM, 1W 0.39 OHM J
R446	24366153	CARBON FILM, 1/6W 15K OHM J
R447	24382473	OXIDE METAL FILM, 1W 47K OHM J
R448	24011103	CHIP, METAL FILM, 1/20W 10K OHM J
R449	24011152	CHIP, METAL FILM, 1/20W 1.5K OHM J
R460	24011103	CHIP, METAL FILM, 1/20W 10K OHM J
R461	24011103	CHIP, METAL FILM, 1/20W 10K OHM J
R462	24011103	CHIP, METAL FILM, 1/20W 10K OHM J
R463	24011103	CHIP, METAL FILM, 1/20W 10K OHM J
R464	24011472	CHIP, METAL FILM, 1/20W 4.7K OHM J

Location No.	Parts No.	Description
R465	24011474	CHIP, METAL FILM, 1/20W 470K OHM J
R466	24011103	CHIP, METAL FILM, 1/20W 10K OHM J
R467	24011823	CHIP, METAL FILM, 1/20W 82K OHM J
R469	24011101	CHIP, METAL FILM, 1/20W 100 OHM J
R470	24011224	CHIP, METAL FILM, 1/20W 220K OHM J
R472	24366151	CARBON FILM, 1/6W 150 OHM J
R473	24000362	METAL FILM, 1/4W 1.5K OHM F
R474	24000370	METAL FILM, 1/4W 3.3K OHM F
R475	24366103	CARBON FILM, 1/6W 10K OHM J
R476	24000137	METAL FILM, 1/4W 150 OHM F
R477	24000147	METAL FILM, 1/4W 470 OHM F
R480	24011223	CHIP, METAL FILM, 1/20W 22K OHM J
R481	24011103	CHIP, METAL FILM, 1/20W 10K OHM J
R482	24011223	CHIP, METAL FILM, 1/20W 22K OHM J
R483	24011332	CHIP, METAL FILM, 1/20W 3.3K OHM J
R484	24011474	CHIP, METAL FILM, 1/20W 470K OHM J
R485	24011103	CHIP, METAL FILM, 1/20W 10K OHM J
R486	24011103	CHIP, METAL FILM, 1/20W 10K OHM J
R488	24011392	CHIP, METAL FILM, 1/20W 3.9K OHM J
R489	24011222	CHIP, METAL FILM, 1/20W 2.2K OHM J
R490	24552331	OXIDE METAL FILM, 1/2W 330 OHM J
R491	24011472	CHIP, METAL FILM, 1/20W 4.7K OHM J
R501	24011682	CHIP, METAL FILM, 1/20W 6.8K OHM J
R502	24011272	CHIP, METAL FILM, 1/20W 2.7K OHM J
R502	24872105	CHIP, METAL FILM, 1/16W 1M OHM J
R504	24011101	CHIP, METAL FILM, 1/20W 100 OHM J
R505	24011101	CHIP, METAL FILM, 1/20W 100 OHM J
R506	24000445	CHIP JUMPER, 1608TYPE
R506	24011273	CHIP, METAL FILM, 1/20W 27K OHM J
R507	24011392	CHIP, METAL FILM, 1/20W 3.9K OHM J
R508	24011682	CHIP, METAL FILM, 1/20W 6.8K OHM J
R511	24011102	CHIP, METAL FILM, 1/20W 1K OHM J
R512	24011102	CHIP, METAL FILM, 1/20W 1K OHM J
R513	24011103	CHIP, METAL FILM, 1/20W 10K OHM J
R513	24011471	CHIP, METAL FILM, 1/20W 470 OHM J
R513	24366101	CARBON FILM, 1/6W 100 OHM J
R514	24011102	CHIP, METAL FILM, 1/20W 1K OHM J
R515	24011102	CHIP, METAL FILM, 1/20W 1K OHM J
R515	24011512	CHIP, METAL FILM, 1/20W 5.1K OHM J
R515	24366103	CARBON FILM, 1/6W 10K OHM J
R516	24011102	CHIP, METAL FILM, 1/20W 1K OHM J
R516	24011223	CHIP, METAL FILM, 1/20W 22K OHM J
R517	24011102	CHIP, METAL FILM, 1/20W 1K OHM J
R518	24011102	CHIP, METAL FILM, 1/20W 1K OHM J
R519	24011472	CHIP, METAL FILM, 1/20W 4.7K OHM J
R520	24366681	CARBON FILM, 1/6W 680 OHM J
R521	24872750	CHIP, METAL FILM, 1/16W 75 OHM J
R522	24872750	CHIP, METAL FILM, 1/16W 75 OHM J
R523	24872750	CHIP, METAL FILM, 1/16W 75 OHM J
R527	24011104	CHIP, METAL FILM, 1/20W 100K OHM J
R528	24011104	CHIP, METAL FILM, 1/20W 100K OHM J
R529	24011104	CHIP, METAL FILM, 1/20W 100K OHM J
R531	24376753	CARBON FILM, 1/2W 75K OHM J
R532	24376473	CARBON FILM, 1/2W 47K OHM J
R533	24376330	CARBON FILM, 1/2W 33 OHM J
R534	24942115	CARBON COMPOSITION, GF 1/2W 1.1M J
R535	24376104	CARBON FILM, 1/2W 100K OHM J
R536	24942106	CARBON COMPOSITION, GF 1/2W 10M J
R537	24872561	CHIP, METAL FILM, 1/16W 560 OHM J
R538	24011152	CHIP, METAL FILM, 1/20W 1.5K OHM J
R539	24376203	CARBON RES B 1/2W 203J
R540	24376203	CARBON RES B 1/2W 203J
R541	24376222	CARBON RES B 1/2W 222J
R542	24011103	CHIP, METAL FILM, 1/20W 10K OHM J
R543	24011681	CHIP, METAL FILM, 1/20W 680 OHM J
R548	24011681	CHIP, METAL FILM, 1/20W 680 OHM J
R552	24011101	CHIP, METAL FILM, 1/20W 100 OHM J

Location No.	Parts No.	Description
R553	24011681	CHIP, METAL FILM, 1/20W 680 OHM J
R554	24011101	CHIP, METAL FILM, 1/20W 100 OHM J
R555	24011101	CHIP, METAL FILM, 1/20W 100 OHM J
R561	24552181	OXIDE METAL FILM, 1/2W 180 OHM J
R569	24011823	CHIP, METAL FILM, 1/20W 82K OHM J
R570	24011471	CHIP, METAL FILM, 1/20W 470 OHM J
R571	24011471	CHIP, METAL FILM, 1/20W 470 OHM J
R572	24011470	CHIP, METAL FILM, 1/20W 47 OHM J
R573	24011332	CHIP, METAL FILM, 1/20W 3.3K OHM J
R574	24011471	CHIP, METAL FILM, 1/20W 470 OHM J
R575	24011331	CHIP, METAL FILM, 1/20W 330 OHM J
R576	24011331	CHIP, METAL FILM, 1/20W 330 OHM J
R577	24011332	CHIP, METAL FILM, 1/20W 3.3K OHM J
R578	24011102	CHIP, METAL FILM, 1/20W 1K OHM J
R579	24011471	CHIP, METAL FILM, 1/20W 470 OHM J
R580	24011680	CHIP, METAL FILM, 1/20W 68 OHM J
R581	24011332	CHIP, METAL FILM, 1/20W 3.3K OHM J
R582	24011102	CHIP, METAL FILM, 1/20W 1K OHM J
R583	24011331	CHIP, METAL FILM, 1/20W 330 OHM J
R584	24011101	CHIP, METAL FILM, 1/20W 100 OHM J
R585	24011101	CHIP, METAL FILM, 1/20W 100 OHM J
R586	24011331	CHIP, METAL FILM, 1/20W 330 OHM J
R587	24011102	CHIP, METAL FILM, 1/20W 1K OHM J
R588	24011101	CHIP, METAL FILM, 1/20W 100 OHM J
R589	24011332	CHIP, METAL FILM, 1/20W 3.3K OHM J
R590	24011102	CHIP, METAL FILM, 1/20W 1K OHM J
R591	24011101	CHIP, METAL FILM, 1/20W 100 OHM J
R601	24011392	CHIP, METAL FILM, 1/20W 3.9K OHM J
R601	24998473	CHIP, 1/16W 47K OHM
R602	24011392	CHIP, METAL FILM, 1/20W 3.9K OHM J
R603	24011222	CHIP, METAL FILM, 1/20W 2.2K OHM J
R604	24011222	CHIP, METAL FILM, 1/20W 2.2K OHM J
R604	24998822	CHIP, 1/16W 8.2K OHM
R605	24011472	CHIP, METAL FILM, 1/20W 4.7K OHM J
R605	24998302	CHIP, 1/16W 3K OHM
R606	24011472	CHIP, METAL FILM, 1/20W 4.7K OHM J
R606	24998302	CHIP, 1/16W 3K OHM
R607	24011223	CHIP, METAL FILM, 1/20W 22K OHM J
R607	24998822	CHIP, 1/16W 8.2K OHM
R608	24011223	CHIP, METAL FILM, 1/20W 22K OHM J
R608	24998473	CHIP, 1/16W 47K OHM
R609	24366229	CARBON FILM, 1/6W 2.2 OHM J
R609	24998302	CHIP, 1/16W 3K OHM
R610	24011101	CHIP, METAL FILM, 1/20W 100 OHM J
R610	24366229	CARBON FILM, 1/6W 2.2 OHM J
R611	24011101	CHIP, METAL FILM, 1/20W 100 OHM J
R611	24011104	CHIP, METAL FILM, 1/20W 100K OHM J
R612	24998473	CHIP, 1/16W 47K OHM
R613	24011223	CHIP, METAL FILM, 1/20W 22K OHM J
R614	24011223	CHIP, METAL FILM, 1/20W 22K OHM J
R614	24998103	CHIP, 1/16W 10K OHM
R615	24011103	CHIP, METAL FILM, 1/20W 10K OHM J
R615	24998473	CHIP, 1/16W 47K OHM
R616	24011103	CHIP, METAL FILM, 1/20W 10K OHM J
R616	24998101	CHIP, 1/16W 100 OHM
R617	24011104	CHIP, METAL FILM, 1/20W 100K OHM J
R617	24998101	CHIP, 1/16W 100 OHM
R618	24011103	CHIP, METAL FILM, 1/20W 10K OHM J
R618	24998101	CHIP, 1/16W 100 OHM
R619	24011224	CHIP, METAL FILM, 1/20W 220K OHM J
R619	24998101	CHIP, 1/16W 100 OHM
R620	24000445	CHIP JUMPER, 1608TYPE
R620	24552122	OXIDE METAL FILM, 1/2W 1.2K OHM J
R621	24011153	CHIP, METAL FILM, 1/20W 15K OHM J
R621	24998114	CHIP RES, 1/16W 110K D
R622	24011153	CHIP, METAL FILM, 1/20W 15K OHM J
R622	24998114	CHIP RES, 1/16W 110K D

Location No.	Parts No.	Description
R623	24011562	CHIP, METAL FILM, 1/20W 5.6K OHM J
R623	24998114	CHIP RES, 1/16W 110K D
R624	24011101	CHIP, METAL FILM, 1/20W 100 OHM J
R624	24998114	CHIP RES, 1/16W 110K D
R625	24011681	CHIP, METAL FILM, 1/20W 680 OHM J
R625	24998392	CHIP, 1/16W 3.9K OHM
R626	24011223	CHIP, METAL FILM, 1/20W 22K OHM J
R626	24998473	CHIP, 1/16W 47K OHM
R627	24011562	CHIP, METAL FILM, 1/20W 5.6K OHM J
R627	24998302	CHIP, 1/16W 3K OHM
R628	24011472	CHIP, METAL FILM, 1/20W 4.7K OHM J
R628	24998473	CHIP, 1/16W 47K OHM
R629	24011101	CHIP, METAL FILM, 1/20W 100 OHM J
R630	24011472	CHIP, METAL FILM, 1/20W 4.7K OHM J
R630	24998822	CHIP, 1/16W 8.2K OHM
R631	24011332	CHIP, METAL FILM, 1/20W 3.3K OHM J
R631	24998822	CHIP, 1/16W 8.2K OHM
R632	24011223	CHIP, METAL FILM, 1/20W 22K OHM J
R633	24011221	CHIP, METAL FILM, 1/20W 220 OHM J
R634	24011183	CHIP, METAL FILM, 1/20W 18K OHM J
R635	24011562	CHIP, METAL FILM, 1/20W 5.6K OHM J
R636	24872822	CHIP, METAL FILM, 1/16W 8.2K OHM J
R637	24872822	CHIP, METAL FILM, 1/16W 8.2K OHM J
R638	24011332	CHIP, METAL FILM, 1/20W 3.3K OHM J
R639	24011153	CHIP, METAL FILM, 1/20W 15K OHM J
R639	24998392	CHIP, 1/16W 3.9K OHM
R640	24011103	CHIP, METAL FILM, 1/20W 10K OHM J
R640	24998563	CHIP, 1/16W 56K OHM
R641	24011103	CHIP, METAL FILM, 1/20W 10K OHM J
R641	24998563	CHIP, 1/16W 56K OHM
R642	24011102	CHIP, METAL FILM, 1/20W 1K OHM J
R642	24998103	CHIP, 1/16W 10K OHM
R643	24011103	CHIP, METAL FILM, 1/20W 10K OHM J
R644	24011473	CHIP, METAL FILM, 1/20W 47K OHM J
R645	24011104	CHIP, METAL FILM, 1/20W 100K OHM J
R646	24872822	CHIP, METAL FILM, 1/16W 8.2K OHM J
R647	24872822	CHIP, METAL FILM, 1/16W 8.2K OHM J
R651	24011122	CHIP, METAL FILM, 1/20W 1.2K OHM J
R652	24011122	CHIP, METAL FILM, 1/20W 1.2K OHM J
R653	24011333	CHIP, METAL FILM, 1/20W 33K OHM J
R654	24011333	CHIP, METAL FILM, 1/20W 33K OHM J
R655	24011223	CHIP, METAL FILM, 1/20W 22K OHM J
R656	24011223	CHIP, METAL FILM, 1/20W 22K OHM J
R657	24011473	CHIP, METAL FILM, 1/20W 47K OHM J
R658	24366229	CARBON FILM, 1/6W 2.2 OHM J
R659	24366229	CARBON FILM, 1/6W 2.2 OHM J
R660	24011333	CHIP, METAL FILM, 1/20W 33K OHM J
R661	24011223	CHIP, METAL FILM, 1/20W 22K OHM J
R662	24011473	CHIP, METAL FILM, 1/20W 47K OHM J
R663	24011103	CHIP, METAL FILM, 1/20W 10K OHM J
R664	24011223	CHIP, METAL FILM, 1/20W 33K OHM J
R665	24011473	CHIP, METAL FILM, 1/20W 47K OHM J
R666	24366229	CARBON FILM, 1/6W 2.2 OHM J
R667	24366229	CARBON FILM, 1/6W 2.2 OHM J
R671	24366102	CARBON FILM, 1/6W 1K OHM J
R672	24366102	CARBON FILM, 1/6W 1K OHM J
R673	24366102	CARBON FILM, 1/6W 1K OHM J
R675	24366102	CARBON FILM, 1/6W 1K OHM J
R682	24366102	CARBON FILM, 1/6W 1K OHM J
R683	24366102	CARBON FILM, 1/6W 1K OHM J
R688	24552391	OXIDE METAL FILM, 1/2W 390 OHM J
R690	24552391	OXIDE METAL FILM, 1/2W 390 OHM J
R701	24011332	CHIP, METAL FILM, 1/20W 3.3K OHM J
R702	24011182	CHIP, METAL FILM, 1/20W 1.8K OHM J
R702	24552221	OXIDE METAL FILM, 1/2W 220 OHM J
R703	24011104	CHIP, METAL FILM, 1/20W 100K OHM J
R706	24000445	CHIP JUMPER, 1608TYPE

Location No.	Parts No.	Description
R707	24011103	CHIP, METAL FILM, 1/20W 10K OHM J
R708	24011103	CHIP, METAL FILM, 1/20W 10K OHM J
R709	24011472	CHIP, METAL FILM, 1/20W 4.7K OHM J
R709	24366563	CARBON FILM, 1/6W 56K OHM J
R710	24011472	CHIP, METAL FILM, 1/20W 4.7K OHM J
R711	24000445	CHIP JUMPER, 1608TYPE
R713	24366273	CARBON FILM, 1/6W 27K OHM J
R715	24011106	METAL FILM CHIP, 1/20W 10M K
R715	24366333	CARBON FILM, 1/6W 33K OHM J
R716	24366273	CARBON FILM, 1/6W 27K OHM J
R717	24000445	CHIP JUMPER, 1608TYPE
R717	24366333	CARBON FILM, 1/6W 33K OHM J
R718	24366101	CARBON FILM, 1/6W 100 OHM J
R719	24011103	CHIP, METAL FILM, 1/20W 10K OHM J
R719	24366100	CARBON FILM, 1/6W 10 OHM J
R720	24552331	OXIDE METAL FILM, 1/2W 330 OHM J
R721	24011331	CHIP, METAL FILM, 1/20W 330 OHM J
R722	24011102	CHIP, METAL FILM, 1/20W 1K OHM J
R722	24552471	OXIDE METAL FILM, 1/2W 470 OHM J
R723	24366101	CARBON FILM, 1/6W 100 OHM J
R724	24366151	CARBON FILM, 1/6W 150 OHM J
R725	24366152	CARBON FILM, 1/6W 1.5K OHM J
R730	24552100	OXIDE METAL FILM, 1/2W 10 OHM J
R731	24552331	OXIDE METAL FILM, 1/2W 330 OHM J
R732	24366470	CARBON FILM, 1/6W 47 OHM J
R733	24366683	CARBON FILM, 1/6W 68K OHM J
R734	24366470	CARBON FILM, 1/6W 47 OHM J
R735	24366683	CARBON FILM, 1/6W 68K OHM J
R736	24553330	OXIDE METAL FILM, 1W 33 OHM J
R737	24366751	CARBON FILM, 1/6W 750 OHM J
R738	24366102	CARBON FILM, 1/6W 1K OHM J
R739	24366751	CARBON FILM, 1/6W 750 OHM J
R740	24553330	OXIDE METAL FILM, 1W 33 OHM J
R741	24322229	OXIDE METAL FILM, 1W 2.2 OHM J
R742	24321229	OXIDE METAL FILM, 1/2W 2.2 OHM J
R743	24554221	OXIDE METAL FILM, 2W 220 OHM J
R744	24366122	CARBON FILM, 1/6W 1.2K OHM J
R745	24366122	CARBON FILM, 1/6W 1.2K OHM J
R761	24366273	CARBON FILM, 1/6W 27K OHM J
R762	24366563	CARBON FILM, 1/6W 56K OHM J
R763	24552331	OXIDE METAL FILM, 1/2W 330 OHM J
R764	24366470	CARBON FILM, 1/6W 47 OHM J
R765	24552100	OXIDE METAL FILM, 1/2W 10 OHM J
R766	24366470	CARBON FILM, 1/6W 47 OHM J
R767	24552221	OXIDE METAL FILM, 1/2W 220 OHM J
R768	24366751	CARBON FILM, 1/6W 750 OHM J
R769	24366122	CARBON FILM, 1/6W 1.2K OHM J
R770	24553330	OXIDE METAL FILM, 1W 33 OHM J
R771	24322229	OXIDE METAL FILM, 1W 2.2 OHM J
R772	24366683	CARBON FILM, 1/6W 68K OHM J
R773	24366683	CARBON FILM, 1/6W 68K OHM J
R774	24366751	CARBON FILM, 1/6W 750 OHM J
R775	24366122	CARBON FILM, 1/6W 1.2K OHM J
R776	24553330	OXIDE METAL FILM, 1W 33 OHM J
R777	24321229	OXIDE METAL FILM, 1/2W 2.2 OHM J
R778	24366102	CARBON FILM, 1/6W 1K OHM J
R779	24554221	OXIDE METAL FILM, 2W 220 OHM J
R781	24366273	CARBON FILM, 1/6W 27K OHM J
R782	24366563	CARBON FILM, 1/6W 56K OHM J
R783	24552221	OXIDE METAL FILM, 1/2W 220 OHM J
R784	24552100	OXIDE METAL FILM, 1/2W 10 OHM J
R785	24366470	CARBON FILM, 1/6W 47 OHM J
R786	24366751	CARBON FILM, 1/6W 750 OHM J
R787	24366122	CARBON FILM, 1/6W 1.2K OHM J
R788	24366683	CARBON FILM, 1/6W 68K OHM J
R789	24366683	CARBON FILM, 1/6W 68K OHM J
R790	24366751	CARBON FILM, 1/6W 750 OHM J

Location No.	Parts No.	Description
R791	24366122	CARBON FILM, 1/6W 1.2K OHM J
R792	24366102	CARBON FILM, 1/6W 1K OHM J
R793	24321229	OXIDE METAL FILM, 1/2W 2.2 OHM J
R794	24553330	OXIDE METAL FILM, 1W 33 OHM J
R795	24322229	OXIDE METAL FILM, 1W 2.2 OHM J
R796	24554221	OXIDE METAL FILM, 2W 220 OHM J
R797	24366470	CARBON FILM, 1/6W 47 OHM J
R798	24552331	OXIDE METAL FILM, 1/2W 330 OHM J
R799	24553330	OXIDE METAL FILM, 1W 33 OHM J
△ R801	24009954	METAL FILN, 1/2W 2.2M OHM J
R808	24552470	OXIDE METAL FILM, 1/2W 47 OHM J
R810	24007737	CERAMIC COVERED, 15W 2.2 OHM J
R812	24366333	CARBON FILM, 1/6W 33K OHM J
R813	24366152	CARBON FILM, 1/6W 1.5K OHM J
R814	24366101	CARBON FILM, 1/6W 100 OHM J
R815	24366102	CARBON FILM, 1/6W 1K OHM J
R816	24366562	CARBON FILM, 1/6W 5.6K OHM J
R817	24366681	CARBON FILM, 1/6W 680 OHM J
R818	24322279	METAL FILM, 1W 2R7 J
R819	24019466	METAL PLATE RK99, 2W R39 J
R820	24366103	CARBON FILM, 1/6W 10K OHM J
R821	24383683	OXIDE RES B 2W 683J
R822	24366684	CARBON FILM, 1/6W 680K OHM J
R823	24366564	CARBON FILM, 1/6W 560K OHM J
R824	24384683	METAL OXIDE FILM, B 3W 68K J
R825	24382470	OXIDE FILM, 1W 47 J
R826	24366102	CARBON FILM, 1/6W 1K OHM J
R827	24366102	CARBON FILM, 1/6W 1K OHM J
R828	24366102	CARBON FILM, 1/6W 1K OHM J
R829	24366222	CARBON FILM, 1/6W 2.2K OHM J
R830	24011472	CHIP, METAL FILM, 1/20W 4.7K OHM J
R831	24011222	CHIP, METAL FILM, 1/20W 2.2K OHM J
R840	24366473	CARBON FILM, 1/6W 47K OHM J
R841	24366332	CARBON FILM, 1/6W 3.3K OHM J
R842	24366103	CARBON FILM, 1/6W 10K OHM J
R848	24366681	CARBON FILM, 1/6W 680 OHM J
R861	24384333	OXIDE METAL FILM, 3W 33K OHM J
R862	24321689	OXIDE METAL FILM, 1/2W 6.8 OHM J
R864	24552102	OXIDE METAL FILM, 1/2W 1K OHM J
R865	24552390	OXIDE METAL FILM, 1/2W 39 OHM J
R867	24366273	CARBON FILM, 1/6W 27K OHM J
R868	24552100	OXIDE METAL FILM, 1/2W 10 OHM J
R869	24366479	CARBON FILM, 1/6W 4.7 OHM J
R870	24381151	OXIDE METAL FILM, 1/2W 150 OHM J
R871	24382680	OXIDE METAL FILM, 1W 68 OHM J
R880	24322568	OXIDE METAL FILM, 1W 0.56 OHM J
R881	24552121	OXIDE METAL FILM, 1/2W 120 OHM J
R882	24552271	OXIDE METAL FILM, 1/2W 270 OHM J
R883	24381682	OXIDE METAL FILM, 1/2W 6.8K OHM J
R884	24366102	CARBON FILM, 1/6W 1K OHM J
R890	24382333	OXIDE METAL FILM, 1W 33K OHM J
R891	24366152	CARBON FILM, 1/6W 1.5K OHM J
R892	24366101	CARBON FILM, 1/6W 100 OHM J
△ R899	24005007	METAL FILM, 1W 8.2M OHM J
R901	24011103	CHIP, METAL FILM, 1/20W 10K OHM J
R901	24366101	CARBON FILM, 1/6W 100 OHM J
R902	24011103	CHIP, METAL FILM, 1/20W 10K OHM J
R903	24011102	CHIP, METAL FILM, 1/20W 1K OHM J
R903	24942102	CARBON COMPOSITION, 1/2W 1K OHM J
R904	24872621	CHIP, METAL FILM, 1/16W 620 OHM J
R905	24011101	CHIP, METAL FILM, 1/20W 100 OHM J
R905	24366470	CARBON FILM, 1/6W 47 OHM J
R906	24011101	CHIP, METAL FILM, 1/20W 100 OHM J
R906	24366331	CARBON FILM, 1/6W 330 OHM J
R907	24011101	CHIP, METAL FILM, 1/20W 100 OHM J
R908	24011101	CHIP, METAL FILM, 1/20W 100 OHM J
R908	24366680	CARBON FILM, 1/6W 68 OHM J

Location No.	Parts No.	Description
R909	24011470	CHIP, METAL FILM, 1/20W 47 OHM J
R909	24366390	CARBON FILM, 1/6W 39 OHM J
R910	24011470	CHIP, METAL FILM, 1/20W 47 OHM J
R911	24011470	CHIP, METAL FILM, 1/20W 47 OHM J
R911	24366101	CARBON FILM, 1/6W 100 OHM J
R912	24011470	CHIP, METAL FILM, 1/20W 47 OHM J
R913	24011470	CHIP, METAL FILM, 1/20W 47 OHM J
R913	24942102	CARBON COMPOSITION, 1/2W 1K OHM J
R914	24011470	CHIP, METAL FILM, 1/20W 47 OHM J
R915	24011470	CHIP, METAL FILM, 1/20W 47 OHM J
R915	24366330	CARBON FILM, 1/6W 33 OHM J
R916	24000445	CHIP JUMPER, 1608TYPE
R916	24366331	CARBON FILM, 1/6W 330 OHM J
R917	24011103	CHIP, METAL FILM, 1/20W 10K OHM J
R918	24011103	CHIP, METAL FILM, 1/20W 10K OHM J
R918	24366470	CARBON FILM, 1/6W 47 OHM J
R919	24011103	CHIP, METAL FILM, 1/20W 10K OHM J
R919	24366390	CARBON FILM, 1/6W 39 OHM J
R920	24011103	CHIP, METAL FILM, 1/20W 10K OHM J
R920	24366153	CARBON FILM, 1/6W 15K OHM J
R921	24366101	CARBON FILM, 1/6W 100 OHM J
R921	24872621	CHIP, METAL FILM, 1/16W 620 OHM J
R922	24011101	CHIP, METAL FILM, 1/20W 100 OHM J
R923	24011104	CHIP, METAL FILM, 1/20W 100K OHM J
R923	24942102	CARBON COMPOSITION, 1/2W 1K OHM J
R924	24872621	CHIP, METAL FILM, 1/16W 620 OHM J
R925	24366470	CARBON FILM, 1/6W 47 OHM J
R926	24366331	CARBON FILM, 1/6W 330 OHM J
R927	24366100	CARBON FILM, 1/6W 10 OHM J
R928	24366680	CARBON FILM, 1/6W 68 OHM J
R929	24366390	CARBON FILM, 1/6W 39 OHM J
R931	24383153	OXIDE METAL FILM, 2W 15K OHM J
R932	24383153	OXIDE METAL FILM, 2W 15K OHM J
R933	24000910	FUSIBLE, 1W 3.3 OHM J
R934	24321338	OXIDE METAL FILM, 1/2W 0.33 OHM J
R936	24383153	OXIDE METAL FILM, 2W 15K OHM J
R937	24383153	OXIDE METAL FILM, 2W 15K OHM J
R938	24366150	CARBON FILM, 1/6W 15 OHM J
R941	24554153	OXIDE METAL FILM, 2W 15K OHM J
R942	24554153	OXIDE METAL FILM, 2W 15K OHM J
R943	24554153	OXIDE METAL FILM, 2W 15K OHM J
R944	24383153	OXIDE METAL FILM, 2W 15K OHM J
R945	24366150	CARBON FILM, 1/6W 15 OHM J
R948	24366153	CARBON FILM, 1/6W 15K OHM J
R949	24366153	CARBON FILM, 1/6W 15K OHM J
R951	24554153	OXIDE METAL FILM, 2W 15K OHM J
R952	24554153	OXIDE METAL FILM, 2W 15K OHM J
R953	24554153	OXIDE METAL FILM, 2W 15K OHM J
R954	24383153	OXIDE METAL FILM, 2W 15K OHM J
R956	24366101	CARBON FILM, 1/6W 100 OHM J
R959	24366150	CARBON FILM, 1/6W 15 OHM J
R961	24366152	CARBON FILM, 1/6W 1.5K OHM J
R962	24366471	CARBON FILM, 1/6W 470 OHM J
R964	24366332	CARBON FILM, 1/6W 3.3K OHM J
R965	24366471	CARBON FILM, 1/6W 470 OHM J
R966	24366331	CARBON FILM, 1/6W 330 OHM J
R967	24366681	CARBON FILM, 1/6W 680 OHM J
R968	24366470	CARBON FILM, 1/6W 47 OHM J
R969	24366683	CARBON FILM, 1/6W 68K OHM J
R970	24366393	CARBON FILM, 1/6W 39K OHM J
R971	24367821	CARBON FILM, 1/6W 820 OHM G
R972	24367471	CARBON FILM, 1/6W 470 OHM G
R973	24367681	CARBON FILM, 1/6W 680 OHM G
R974	24367681	CARBON FILM, 1/6W 680 OHM G
R975	24366471	CARBON FILM, 1/6W 470 OHM J
R976	24367272	CARBON FILM, 1/6W 2.7K OHM J
R977	24367472	CARBON FILM, 1/6W 4.7K OHM G

Location No.	Parts No.	Description
R978	24367391	CARBON FILM, 1/6W 390 OHM G
R983	24366681	CARBON FILM, 1/6W 680 OHM J
R984	24366821	CARBON FILM, 1/6W 820 OHM J
R985	24366821	CARBON FILM, 1/6W 820 OHM J
R986	24366821	CARBON FILM, 1/6W 820 OHM J
R987	24366470	CARBON FILM, 1/6W 47 OHM J
R991	24366153	CARBON FILM, 1/6W 15K OHM J
R2020	24011101	CHIP, METAL FILM, 1/20W 100 OHM J
R2060	24366221	CARBON FILM, 1/6W 220 OHM J
R2104	24011332	CHIP, METAL FILM, 1/20W 3.3K OHM J
R2105	24011101	CHIP, METAL FILM, 1/20W 100 OHM J
R2106	24011101	CHIP, METAL FILM, 1/20W 100 OHM J
R2107	24011101	CHIP, METAL FILM, 1/20W 100 OHM J
R2149	24871681	CHIP, METAL FILM, 1/8W 680 OHM J
R2150	24871681	CHIP, METAL FILM, 1/8W 680 OHM J
R2151	24871681	CHIP, METAL FILM, 1/8W 680 OHM J
R2152	24011101	CHIP, METAL FILM, 1/20W 100 OHM J
R2153	24011101	CHIP, METAL FILM, 1/20W 100 OHM J
R2154	24011101	CHIP, METAL FILM, 1/20W 100 OHM J
R2155	24871102	CHIP, METAL FILM, 1/8W 1K OHM J
R2156	24871102	CHIP, METAL FILM, 1/8W 1K OHM J
R2157	24871102	CHIP, METAL FILM, 1/8W 1K OHM J
R3407	24011682	CHIP, METAL FILM, 1/20W 6.8K OHM J
R4401	24011472	CHIP, METAL FILM, 1/20W 4.7K OHM J
R4402	24011223	CHIP, METAL FILM, 1/20W 22K OHM J
R4403	24011471	CHIP, METAL FILM, 1/20W 470 OHM J
R4404	24011222	CHIP, METAL FILM, 1/20W 2.2K OHM J
R4405	24011102	CHIP, METAL FILM, 1/20W 1K OHM J
R4406	24011102	CHIP, METAL FILM, 1/20W 1K OHM J
R4407	24011103	CHIP, METAL FILM, 1/20W 10K OHM J
R4408	24011223	CHIP, METAL FILM, 1/20W 22K OHM J
R4409	24871472	CHIP, METAL FILM, 1/8W 4.7K OHM J
R4411	24011101	CHIP, METAL FILM, 1/20W 100 OHM J
R4412	24011101	CHIP, METAL FILM, 1/20W 100 OHM J
R4413	24011101	CHIP, METAL FILM, 1/20W 100 OHM J
R4451	24011472	CHIP, METAL FILM, 1/20W 4.7K OHM J
R4452	24011103	CHIP, METAL FILM, 1/20W 10K OHM J
R4453	24011682	CHIP, METAL FILM, 1/20W 6.8K OHM J
R4454	24011102	CHIP, METAL FILM, 1/20W 1K OHM J
R4455	24011472	CHIP, METAL FILM, 1/20W 4.7K OHM J
R4460	24011473	CHIP, METAL FILM, 1/20W 47K OHM J
R4461	24011473	CHIP, METAL FILM, 1/20W 47K OHM J
R4462	24011332	CHIP, METAL FILM, 1/20W 3.3K OHM J
R4463	24011102	CHIP, METAL FILM, 1/20W 1K OHM J
R5020	24011101	CHIP, METAL FILM, 1/20W 100 OHM J
R5030	24011101	CHIP, METAL FILM, 1/20W 100 OHM J
R7001	24011222	CHIP, METAL FILM, 1/20W 2.2K OHM J
R7002	24011223	CHIP, METAL FILM, 1/20W 22K OHM J
R7003	24011472	CHIP, METAL FILM, 1/20W 4.7K OHM J
R7004	24011103	CHIP, METAL FILM, 1/20W 10K OHM J
R7005	24011153	CHIP, METAL FILM, 1/20W 15K OHM J
R7006	24011333	CHIP, METAL FILM, 1/20W 33K OHM J
R7007	24011333	CHIP, METAL FILM, 1/20W 33K OHM J
R7008	24011471	CHIP, METAL FILM, 1/20W 470 OHM J
R7009	24011471	CHIP, METAL FILM, 1/20W 470 OHM J
R7010	24366222	CARBON FILM, 1/6W 2.2K OHM J
R7011	24011151	CHIP, METAL FILM, 1/20W 150 OHM J
R7012	24011151	CHIP, METAL FILM, 1/20W 150 OHM J
R7013	24011470	CHIP, METAL FILM, 1/20W 47 OHM J
R7014	24011471	CHIP, METAL FILM, 1/20W 470 OHM J
R7015	24011471	CHIP, METAL FILM, 1/20W 470 OHM J
R7016	24366101	CARBON FILM, 1/6W 100 OHM J
R7017	24011101	CHIP, METAL FILM, 1/20W 100 OHM J
R7018	24011101	CHIP, METAL FILM, 1/20W 100 OHM J
R7021	24383221	OXIDE METAL FILM, 2W 220 OHM J
R7022	24547159	FUSIBLE, 1W 1.5 OHM J
R7031	24366391	CARBON FILM, 1/6W 390 OHM J

Location No.	Parts No.	Description
R7834	24011103	CHIP, METAL FILM, 1/20W 10K OHM J
R7835	24366222	CARBON FILM, 1/6W 2.2K OHM J
R7836	24366471	CARBON FILM, 1/6W 470 OHM J
R7837	24366101	CARBON FILM, 1/6W 100 OHM J
R7838	24011472	CHIP, METAL FILM, 1/20W 4.7K OHM J
R7839	24011472	CHIP, METAL FILM, 1/20W 4.7K OHM J
R7840	24366222	CARBON FILM, 1/6W 2.2K OHM J
R7841	24366101	CARBON FILM, 1/6W 100 OHM J
R7842	24366472	CARBON FILM, 1/6W 4.7K OHM J
R7843	24366471	CARBON FILM, 1/6W 470 OHM J
R7844	24366472	CARBON FILM, 1/6W 4.7K OHM J
R7845	24011221	CHIP, METAL FILM, 1/20W 220 OHM J
R7846	24011472	CHIP, METAL FILM, 1/20W 4.7K OHM J
R7847	24011103	CHIP, METAL FILM, 1/20W 10K OHM J
R7848	24011103	CHIP, METAL FILM, 1/20W 10K OHM J
R7849	24011103	CHIP, METAL FILM, 1/20W 10K OHM J
R7850	24011224	CHIP, METAL FILM, 1/20W 220K OHM J
R7851	24011153	CHIP, METAL FILM, 1/20W 15K OHM J
R7852	24011103	CHIP, METAL FILM, 1/20W 10K OHM J
R7853	24011472	CHIP, METAL FILM, 1/20W 4.7K OHM J
R7854	24011472	CHIP, METAL FILM, 1/20W 4.7K OHM J
R7855	24011470	CHIP, METAL FILM, 1/20W 47 OHM J
R7856	24011470	CHIP, METAL FILM, 1/20W 47 OHM J
R7863	24366333	CARBON FILM, 1/6W 33K OHM J
R7864	24011101	CHIP, METAL FILM, 1/20W 100 OHM J
R7865	24011101	CHIP, METAL FILM, 1/20W 100 OHM J
R7866	24011682	CHIP, METAL FILM, 1/20W 6.8K OHM J
R7867	24011682	CHIP, METAL FILM, 1/20W 6.8K OHM J
R7868	24011561	CHIP, METAL FILM, 1/20W 560 OHM J
R7869	24011470	CHIP, METAL FILM, 1/20W 47 OHM J
R9501	24366470	CARBON FILM, 1/6W 47 OHM J
R9502	24366470	CARBON FILM, 1/6W 47 OHM J
R9503	24366681	CARBON FILM, 1/6W 680 OHM J
R9504	24366683	CARBON FILM, 1/6W 68K OHM J
R9505	24366393	CARBON FILM, 1/6W 39K OHM J
R9506	24366681	CARBON FILM, 1/6W 680 OHM J
R9601	24366100	CARBON FILM, 1/6W 10 OHM J
R9602	24366472	CARBON FILM, 1/6W 4.7K OHM J
R9603	24366332	CARBON FILM, 1/6W 3.3K OHM J
R9604	24366272	CARBON FILM, 1/6W 2.7K OHM J
R9605	24366682	CARBON FILM, 1/6W 6.8K OHM J
R9606	24366242	CARBON FILM, 1/6W 2.4K OHM J
R9607	24366470	CARBON FILM, 1/6W 47 OHM J
R9608	24366681	CARBON FILM, 1/6W 680 OHM J
R9609	24366683	CARBON FILM, 1/6W 68K OHM J
R9610	24366393	CARBON FILM, 1/6W 39K OHM J
R9611	24366681	CARBON FILM, 1/6W 680 OHM J
R9612	24366470	CARBON FILM, 1/6W 47 OHM J
R9613	24366220	CARBON FILM, 1/6W 22 OHM J
R9614	24366330	CARBON FILM, 1/6W 33 OHM J
RA01	24011102	CHIP, METAL FILM, 1/20W 1K OHM J
RA01	24011220	CHIP, METAL FILM, 1/20W 22 OHM J
RA02	24011103	CHIP, METAL FILM, 1/20W 10K OHM J
RA02	24011220	CHIP, METAL FILM, 1/20W 22 OHM J
RA03	24011220	CHIP, METAL FILM, 1/20W 22 OHM J
RA04	24011102	CHIP, METAL FILM, 1/20W 1K OHM J
RA04	24011220	CHIP, METAL FILM, 1/20W 22 OHM J
RA05	24011102	CHIP, METAL FILM, 1/20W 1K OHM J
RA05	24011220	CHIP, METAL FILM, 1/20W 22 OHM J
RA07	24011102	CHIP, METAL FILM, 1/20W 1K OHM J
RA07	24011220	CHIP, METAL FILM, 1/20W 22 OHM J
RA08	24011102	CHIP, METAL FILM, 1/20W 1K OHM J
RA08	24011220	CHIP, METAL FILM, 1/20W 22 OHM J
RA09	24011103	CHIP, METAL FILM, 1/20W 10K OHM J
RA09	24011682	CHIP, METAL FILM, 1/20W 6.8K OHM J
RA10	24011103	CHIP, METAL FILM, 1/20W 10K OHM J
RA10	24011682	CHIP, METAL FILM, 1/20W 6.8K OHM J

Location No.	Parts No.	Description
RA11	24011220	CHIP, METAL FILM, 1/20W 22 OHM J
RA11	24011331	CHIP, METAL FILM, 1/20W 330 OHM J
RA12	24011220	CHIP, METAL FILM, 1/20W 22 OHM J
RA12	24011331	CHIP, METAL FILM, 1/20W 330 OHM J
RA13	24011102	CHIP, METAL FILM, 1/20W 1K OHM J
RA13	24011220	CHIP, METAL FILM, 1/20W 22 OHM J
RA14	24011102	CHIP, METAL FILM, 1/20W 1K OHM J
RA14	24011220	CHIP, METAL FILM, 1/20W 22 OHM J
RA15	24011220	CHIP, METAL FILM, 1/20W 22 OHM J
RA16	24011102	CHIP, METAL FILM, 1/20W 1K OHM J
RA16	24011220	CHIP, METAL FILM, 1/20W 22 OHM J
RA17	24011102	CHIP, METAL FILM, 1/20W 1K OHM J
RA17	24011220	CHIP, METAL FILM, 1/20W 22 OHM J
RA18	24011102	CHIP, METAL FILM, 1/20W 1K OHM J
RA18	24011220	CHIP, METAL FILM, 1/20W 22 OHM J
RA19	24011220	CHIP, METAL FILM, 1/20W 22 OHM J
RA19	24011331	CHIP, METAL FILM, 1/20W 330 OHM J
RA20	24011220	CHIP, METAL FILM, 1/20W 22 OHM J
RA20	24011331	CHIP, METAL FILM, 1/20W 330 OHM J
RA21	24011220	CHIP, METAL FILM, 1/20W 22 OHM J
RA21	24011331	CHIP, METAL FILM, 1/20W 330 OHM J
RA22	24011220	CHIP, METAL FILM, 1/20W 22 OHM J
RA22	24011331	CHIP, METAL FILM, 1/20W 330 OHM J
RA23	24011220	CHIP, METAL FILM, 1/20W 22 OHM J
RA24	24011103	CHIP, METAL FILM, 1/20W 10K OHM J
RA24	24011472	CHIP, METAL FILM, 1/20W 4.7K OHM J
RA25	24011102	CHIP, METAL FILM, 1/20W 1K OHM J
RA25	24011223	CHIP, METAL FILM, 1/20W 22K OHM J
RA26	24011102	CHIP, METAL FILM, 1/20W 1K OHM J
RA26	24011103	CHIP, METAL FILM, 1/20W 10K OHM J
RA27	24011102	CHIP, METAL FILM, 1/20W 1K OHM J
RA27	24011103	CHIP, METAL FILM, 1/20W 10K OHM J
RA28	24000445	CHIP JUMPER, 1608TYPE
RA28	24011102	CHIP, METAL FILM, 1/20W 1K OHM J
RA29	24011103	CHIP, METAL FILM, 1/20W 10K OHM J
RA29	24011103	CHIP, METAL FILM, 1/20W 10K OHM J
RA30	24011103	CHIP, METAL FILM, 1/20W 10K OHM J
RA30	24011103	CHIP, METAL FILM, 1/20W 10K OHM J
RA31	24011102	CHIP, METAL FILM, 1/20W 1K OHM J
RA31	24011103	CHIP, METAL FILM, 1/20W 10K OHM J
RA32	24011103	CHIP, METAL FILM, 1/20W 10K OHM J
RA33	24011103	CHIP, METAL FILM, 1/20W 10K OHM J
RA33	24011304	CHIP, METAL FILM, 1/20W 300K OHM J
RA35	24000555	CHIP RES 1/16W 561F
RA35	24011102	CHIP, METAL FILM, 1/20W 1K OHM J
RA36	24000555	CHIP RES 1/16W 561F
RA36	24011102	CHIP, METAL FILM, 1/20W 1K OHM J
RA37	24011101	CHIP, METAL FILM, 1/20W 100 OHM J
RA38	24011101	CHIP, METAL FILM, 1/20W 100 OHM J
RA39	24011474	CHIP, METAL FILM, 1/20W 470K OHM J
RA39	24011561	CHIP, METAL FILM, 1/20W 560 OHM J
RA40	24011474	CHIP, METAL FILM, 1/20W 470K OHM J
RA40	24011681	CHIP, METAL FILM, 1/20W 680 OHM J
RA41	24011223	CHIP, METAL FILM, 1/20W 22K OHM J
RA42	24000445	CHIP JUMPER, 1608TYPE
RA43	24011102	CHIP, METAL FILM, 1/20W 1K OHM J
RA44	24011103	CHIP, METAL FILM, 1/20W 10K OHM J
RA46	24011103	CHIP, METAL FILM, 1/20W 10K OHM J
RA47	24011103	CHIP, METAL FILM, 1/20W 10K OHM J
RA48	24011103	CHIP, METAL FILM, 1/20W 10K OHM J
RA49	24011220	CHIP, METAL FILM, 1/20W 22 OHM J
RA51	24000445	CHIP JUMPER, 1608TYPE
RA51	24011102	CHIP, METAL FILM, 1/20W 1K OHM J
RA52	24011102	CHIP, METAL FILM, 1/20W 1K OHM J
RA53	24011220	CHIP, METAL FILM, 1/20W 22 OHM J
RA54	24011220	CHIP, METAL FILM, 1/20W 22 OHM J
RA57	24000445	CHIP JUMPER, 1608TYPE

Location No.	Parts No.	Description
RA58	24000445	CHIP JUMPER, 1608TYPE
RA59	24000445	CHIP JUMPER, 1608TYPE
RA60	24000445	CHIP JUMPER, 1608TYPE
RA60	24011470	CHIP, METAL FILM, 1/20W 47 OHM J
RA61	24000445	CHIP JUMPER, 1608TYPE
RA62	24011102	CHIP, METAL FILM, 1/20W 1K OHM J
RA62	24011223	CHIP, METAL FILM, 1/20W 22K OHM J
RA63	24011102	CHIP, METAL FILM, 1/20W 1K OHM J
RA63	24011103	CHIP, METAL FILM, 1/20W 10K OHM J
RA64	24011103	CHIP, METAL FILM, 1/20W 10K OHM J
RA65	24000445	CHIP JUMPER, 1608TYPE
RA65	24011103	CHIP, METAL FILM, 1/20W 10K OHM J
RA66	24000445	CHIP JUMPER, 1608TYPE
RA66	24011103	CHIP, METAL FILM, 1/20W 10K OHM J
RA67	24011472	CHIP, METAL FILM, 1/20W 4.7K OHM J
RA68	24011472	CHIP, METAL FILM, 1/20W 4.7K OHM J
RA69	24011103	CHIP, METAL FILM, 1/20W 10K OHM J
RA70	24011333	CHIP, METAL FILM, 1/20W 33K OHM J
RA71	24000445	CHIP JUMPER, 1608TYPE
RA71	24011102	CHIP, METAL FILM, 1/20W 1K OHM J
RA71	24366683	CARBON FILM, 1/6W 68K OHM J
RA72	24011102	CHIP, METAL FILM, 1/20W 1K OHM J
RA72	24011223	CHIP, METAL FILM, 1/20W 22K OHM J
RA72	24366223	CARBON FILM, 1/6W 22K OHM J
RA73	24366103	CARBON FILM, 1/6W 10K OHM J
RA75	24011103	CHIP, METAL FILM, 1/20W 10K OHM J
RA75	24011333	CHIP, METAL FILM, 1/20W 33K OHM J
RA76	24011102	CHIP, METAL FILM, 1/20W 1K OHM J
RA76	24011103	CHIP, METAL FILM, 1/20W 10K OHM J
RA76	24366103	CARBON FILM, 1/6W 10K OHM J
RA77	24011102	CHIP, METAL FILM, 1/20W 1K OHM J
RA77	24366223	CARBON FILM, 1/6W 22K OHM J
RA78	24011102	CHIP, METAL FILM, 1/20W 1K OHM J
RA78	24366683	CARBON FILM, 1/6W 68K OHM J
RA79	24011102	CHIP, METAL FILM, 1/20W 1K OHM J
RA80	24011103	CHIP, METAL FILM, 1/20W 10K OHM J
RA81	24000824	JUMPER CHIP, 2125TYPE
RA82	24011103	CHIP, METAL FILM, 1/20W 10K OHM J
RA84	24011223	CHIP, METAL FILM, 1/20W 22K OHM J
RA86	24011103	CHIP, METAL FILM, 1/20W 10K OHM J
RA87	24011103	CHIP, METAL FILM, 1/20W 10K OHM J
RA89	24011222	CHIP, METAL FILM, 1/20W 2.2K OHM J
RA89	24011472	CHIP, METAL FILM, 1/20W 4.7K OHM J
RA90	24011472	CHIP, METAL FILM, 1/20W 4.7K OHM J
RA94	24000445	CHIP JUMPER, 1608TYPE
RB01	24366271	CARBON FILM, 1/6W 270 OHM J
RB02	24366471	CARBON FILM, 1/6W 470 OHM J
RB03	24011101	CHIP, METAL FILM, 1/20W 100 OHM J
RB04	24011331	CHIP, METAL FILM, 1/20W 330 OHM J
RB04	24011473	CHIP, METAL FILM, 1/20W 47K OHM J
RB04	24366223	CARBON FILM, 1/6W 22K OHM J
RB05	24011105	CHIP, METAL FILM, 1/20W 1M OHM J
RB05	24011473	CHIP, METAL FILM, 1/20W 47K OHM J
RB05	24366223	CARBON FILM, 1/6W 22K OHM J
RB06	24011123	CHIP, METAL FILM, 1/20W 12K OHM J
RB06	24011473	CHIP, METAL FILM, 1/20W 47K OHM J
RB07	24011392	CHIP, METAL FILM, 1/20W 3.9K OHM J
RB07	24011473	CHIP, METAL FILM, 1/20W 47K OHM J
RB07	24366271	CARBON FILM, 1/6W 270 OHM J
RB08	24011392	CHIP, METAL FILM, 1/20W 3.9K OHM J
RB08	24011473	CHIP, METAL FILM, 1/20W 47K OHM J
RB08	24366271	CARBON FILM, 1/6W 270 OHM J
RB09	24011103	CHIP, METAL FILM, 1/20W 10K OHM J
RB09	24011473	CHIP, METAL FILM, 1/20W 47K OHM J
RB09	24366470	CARBON FILM, 1/6W 47 OHM J
RB10	24011101	CHIP, METAL FILM, 1/20W 100 OHM J
RB10	24011473	CHIP, METAL FILM, 1/20W 47K OHM J

Location No.	Parts No.	Description
RB10	24366101	CARBON FILM, 1/6W 100 OHM J
RB11	24011222	CHIP, METAL FILM, 1/20W 2.2K OHM J
RB11	24011473	CHIP, METAL FILM, 1/20W 47K OHM J
RB11	24366103	CARBON FILM, 1/6W 10K OHM J
RB12	24366471	CARBON FILM, 1/6W 470 OHM J
RB14	24011152	CHIP, METAL FILM, 1/20W 1.5K OHM J
RB31	24011223	CHIP, METAL FILM, 1/20W 22K OHM J
RB32	24011105	CHIP, METAL FILM, 1/20W 1M OHM J
RB33	24011123	CHIP, METAL FILM, 1/20W 12K OHM J
RB34	24011392	CHIP, METAL FILM, 1/20W 3.9K OHM J
RB35	24011392	CHIP, METAL FILM, 1/20W 3.9K OHM J
RB35	24011472	CHIP, METAL FILM, 1/20W 4.7K OHM J
RB37	24011100	CHIP, METAL FILM, 1/20W 10 OHM J
RB38	24011100	CHIP, METAL FILM, 1/20W 10 OHM J
RB39	24011100	CHIP, METAL FILM, 1/20W 10 OHM J
RB43	24011103	CHIP, METAL FILM, 1/20W 10K OHM J
RB44	24011103	CHIP, METAL FILM, 1/20W 10K OHM J
RB45	24011101	CHIP, METAL FILM, 1/20W 100 OHM J
RB46	24011103	CHIP, METAL FILM, 1/20W 10K OHM J
RB49	24011331	CHIP, METAL FILM, 1/20W 330 OHM J
RB81	24011122	CHIP, METAL FILM, 1/20W 1.2K OHM J
RB82	24011123	CHIP, METAL FILM, 1/20W 12K OHM J
RB83	24011123	CHIP, METAL FILM, 1/20W 12K OHM J
RB83	24011472	CHIP, METAL FILM, 1/20W 4.7K OHM J
RB90	24011392	CHIP, METAL FILM, 1/20W 3.9K OHM J
RB91	24011473	CHIP, METAL FILM, 1/20W 47K OHM J
RB92	24011271	CHIP, METAL FILM, 1/20W 270 OHM J
RB93	24011271	CHIP, METAL FILM, 1/20W 270 OHM J
RB94	24011222	CHIP, METAL FILM, 1/20W 2.2K OHM J
RB95	24011222	CHIP, METAL FILM, 1/20W 2.2K OHM J
RB96	24011273	CHIP, METAL FILM, 1/20W 27K OHM J
RB97	24011273	CHIP, METAL FILM, 1/20W 27K OHM J
RB98	24011102	CHIP, METAL FILM, 1/20W 1K OHM J
RC01	24000445	CHIP JUMPER, 1608TYPE
RC01	24011681	CHIP, METAL FILM, 1/20W 680 OHM J
RC02	24000445	CHIP JUMPER, 1608TYPE
RC02	24011681	CHIP, METAL FILM, 1/20W 680 OHM J
RC03	24011681	CHIP, METAL FILM, 1/20W 680 OHM J (42WT29B)
RC03	24011681	CHIP, METAL FILM, 1/20W 680 OHM J (50WT29B)
RC04	24011681	CHIP, METAL FILM, 1/20W 680 OHM J
RC05	24011332	CHIP, METAL FILM, 1/20W 3.3K OHM J
RC05	24011681	CHIP, METAL FILM, 1/20W 680 OHM J
RC06	24011332	CHIP, METAL FILM, 1/20W 3.3K OHM J
RC06	24011681	CHIP, METAL FILM, 1/20W 680 OHM J
RC07	24011332	CHIP, METAL FILM, 1/20W 3.3K OHM J
RC07	24011681	CHIP, METAL FILM, 1/20W 680 OHM J
RC08	24011332	CHIP, METAL FILM, 1/20W 3.3K OHM J
RC08	24011681	CHIP, METAL FILM, 1/20W 680 OHM J
RC09	24000445	CHIP JUMPER, 1608TYPE
RC09	24011332	CHIP, METAL FILM, 1/20W 3.3K OHM J
RC10	24000445	CHIP JUMPER, 1608TYPE
RC10	24011332	CHIP, METAL FILM, 1/20W 3.3K OHM J
RC11	24011332	CHIP, METAL FILM, 1/20W 3.3K OHM J
RC12	24011332	CHIP, METAL FILM, 1/20W 3.3K OHM J
RC13	24011332	CHIP, METAL FILM, 1/20W 3.3K OHM J
RC14	24011332	CHIP, METAL FILM, 1/20W 3.3K OHM J
RC15	24011332	CHIP, METAL FILM, 1/20W 3.3K OHM J
RC16	24011332	CHIP, METAL FILM, 1/20W 3.3K OHM J
RC17	24011332	CHIP, METAL FILM, 1/20W 3.3K OHM J
RC18	24011332	CHIP, METAL FILM, 1/20W 3.3K OHM J
RC19	24011332	CHIP, METAL FILM, 1/20W 3.3K OHM J
RC20	24011332	CHIP, METAL FILM, 1/20W 3.3K OHM J
RC21	24011332	CHIP, METAL FILM, 1/20W 3.3K OHM J
RC22	24011332	CHIP, METAL FILM, 1/20W 3.3K OHM J
RC23	24011332	CHIP, METAL FILM, 1/20W 3.3K OHM J

Location No.	Parts No.	Description
RC24	24011332	CHIP, METAL FILM, 1/20W 3.3K OHM J
RC25	24011332	CHIP, METAL FILM, 1/20W 3.3K OHM J
RC26	24011332	CHIP, METAL FILM, 1/20W 3.3K OHM J
RC27	24011332	CHIP, METAL FILM, 1/20W 3.3K OHM J
RC28	24011332	CHIP, METAL FILM, 1/20W 3.3K OHM J
RC29	24011103	CHIP, METAL FILM, 1/20W 10K OHM J
RC30	24011103	CHIP, METAL FILM, 1/20W 10K OHM J
RC31	24011101	CHIP, METAL FILM, 1/20W 100 OHM J
RC32	24011101	CHIP, METAL FILM, 1/20W 100 OHM J
RC33	24011103	CHIP, METAL FILM, 1/20W 10K OHM J
RC34	24011103	CHIP, METAL FILM, 1/20W 10K OHM J
RC35	24011103	CHIP, METAL FILM, 1/20W 10K OHM J
RC36	24011103	CHIP, METAL FILM, 1/20W 10K OHM J
RC37	24011103	CHIP, METAL FILM, 1/20W 10K OHM J
RC38	24011103	CHIP, METAL FILM, 1/20W 10K OHM J
RC39	24011103	CHIP, METAL FILM, 1/20W 10K OHM J
RC40	24011103	CHIP, METAL FILM, 1/20W 10K OHM J
RC41	24011103	CHIP, METAL FILM, 1/20W 10K OHM J
RC42	24011103	CHIP, METAL FILM, 1/20W 10K OHM J
RC43	24011103	CHIP, METAL FILM, 1/20W 10K OHM J
RC44	24011103	CHIP, METAL FILM, 1/20W 10K OHM J
RC54	24011103	CHIP, METAL FILM, 1/20W 10K OHM J
RC55	24011103	CHIP, METAL FILM, 1/20W 10K OHM J
RC56	24011103	CHIP, METAL FILM, 1/20W 10K OHM J
RC60	24366681	CARBON FILM, 1/6W 680 OHM J
RC61	24366681	CARBON FILM, 1/6W 680 OHM J
RC62	24011103	CHIP, METAL FILM, 1/20W 10K OHM J
RC67	24011223	CHIP, METAL FILM, 1/20W 22K OHM J
RC68	24011223	CHIP, METAL FILM, 1/20W 22K OHM J
RC69	24011220	CHIP, METAL FILM, 1/20W 22 OHM J
RC70	24011220	CHIP, METAL FILM, 1/20W 22 OHM J
RC71	24011220	CHIP, METAL FILM, 1/20W 22 OHM J
RC72	24011220	CHIP, METAL FILM, 1/20W 22 OHM J
RC78	24011103	CHIP, METAL FILM, 1/20W 10K OHM J
RC79	24011102	CHIP, METAL FILM, 1/20W 1K OHM J
RC80	24011101	CHIP, METAL FILM, 1/20W 100 OHM J
RC85	24011472	CHIP, METAL FILM, 1/20W 4.7K OHM J
RC87	24011472	CHIP, METAL FILM, 1/20W 4.7K OHM J
RC90	24011472	CHIP, METAL FILM, 1/20W 4.7K OHM J
RC91	24011103	CHIP, METAL FILM, 1/20W 10K OHM J
RC92	24011103	CHIP, METAL FILM, 1/20W 10K OHM J
RC94	24011103	CHIP, METAL FILM, 1/20W 10K OHM J
RC95	24011103	CHIP, METAL FILM, 1/20W 10K OHM J
RC96	24011103	CHIP, METAL FILM, 1/20W 10K OHM J
RC97	24011103	CHIP, METAL FILM, 1/20W 10K OHM J
RC98	24011103	CHIP, METAL FILM, 1/20W 10K OHM J
RC99	24011220	CHIP, METAL FILM, 1/20W 22 OHM J
RD01	24011103	CHIP, METAL FILM, 1/20W 10K OHM J
RD02	24011103	CHIP, METAL FILM, 1/20W 10K OHM J
RD03	24011101	CHIP, METAL FILM, 1/20W 100 OHM J
RD03	24011103	CHIP, METAL FILM, 1/20W 10K OHM J
RD04	24011103	CHIP, METAL FILM, 1/20W 10K OHM J
RD05	24011103	CHIP, METAL FILM, 1/20W 10K OHM J
RD07	24011103	CHIP, METAL FILM, 1/20W 10K OHM J
RD08	24011102	CHIP, METAL FILM, 1/20W 1K OHM J
RD08	24011103	CHIP, METAL FILM, 1/20W 10K OHM J
RD09	24011103	CHIP, METAL FILM, 1/20W 10K OHM J
RD12	24011102	CHIP, METAL FILM, 1/20W 1K OHM J
RD12	24011103	CHIP, METAL FILM, 1/20W 10K OHM J
RD13	24011103	CHIP, METAL FILM, 1/20W 10K OHM J
RD14	24011103	CHIP, METAL FILM, 1/20W 10K OHM J
RD15	24011103	CHIP, METAL FILM, 1/20W 10K OHM J
RD16	24011333	CHIP, METAL FILM, 1/20W 33K OHM J
RD18	24011103	CHIP, METAL FILM, 1/20W 10K OHM J
RD19	24011103	CHIP, METAL FILM, 1/20W 10K OHM J
RD20	24011220	CHIP, METAL FILM, 1/20W 22 OHM J
RD21	24011103	CHIP, METAL FILM, 1/20W 10K OHM J

Location No.	Parts No.	Description
RD22	24011103	CHIP, METAL FILM, 1/20W 10K OHM J
RD23	24011103	CHIP, METAL FILM, 1/20W 10K OHM J
RD25	24011103	CHIP, METAL FILM, 1/20W 10K OHM J
RD26	24011102	CHIP, METAL FILM, 1/20W 1K OHM J
RD27	24011272	CHIP, METAL FILM, 1/20W 2.7K OHM J
RD28	24011102	CHIP, METAL FILM, 1/20W 1K OHM J
RD28	24011220	CHIP, METAL FILM, 1/20W 22 OHM J
RD29	24011103	CHIP, METAL FILM, 1/20W 10K OHM J
RD30	24011220	CHIP, METAL FILM, 1/20W 22 OHM J
RD31	24011103	CHIP, METAL FILM, 1/20W 10K OHM J
RD32	24011103	CHIP, METAL FILM, 1/20W 10K OHM J
RD33	24011103	CHIP, METAL FILM, 1/20W 10K OHM J
RD34	24011103	CHIP, METAL FILM, 1/20W 10K OHM J
RD35	24011470	CHIP, METAL FILM, 1/20W 47 OHM J
RD36	24011470	CHIP, METAL FILM, 1/20W 47 OHM J
RD37	24011470	CHIP, METAL FILM, 1/20W 47 OHM J
RD38	24011470	CHIP, METAL FILM, 1/20W 47 OHM J
RD39	24011470	CHIP, METAL FILM, 1/20W 47 OHM J
RD42	24011103	CHIP, METAL FILM, 1/20W 10K OHM J
RD43	24011103	CHIP, METAL FILM, 1/20W 10K OHM J
RD81	24011151	CHIP, METAL FILM, 1/20W 150 OHM J
RD82	24011561	CHIP, METAL FILM, 1/20W 560 OHM J
RD83	24011151	CHIP, METAL FILM, 1/20W 150 OHM J
RD84	24011103	CHIP, METAL FILM, 1/20W 10K OHM J
RD85	24011103	CHIP, METAL FILM, 1/20W 10K OHM J
RD86	24011223	CHIP, METAL FILM, 1/20W 22K OHM J
RD87	24011103	CHIP, METAL FILM, 1/20W 10K OHM J
RD88	24011103	CHIP, METAL FILM, 1/20W 10K OHM J
RD89	24011104	CHIP, METAL FILM, 1/20W 100K OHM J
RD90	24011223	CHIP, METAL FILM, 1/20W 22K OHM J
RD91	24011151	CHIP, METAL FILM, 1/20W 150 OHM J
RE02	24376154	CARBON FILM, 1/2W 150K OHM J
RE03	24381681	OXIDE METAL FILM, 1/2W 680 OHM J
RE04	24322828	OXIDE METAL FILM, 1W 0.82 OHM J
RE05	24384333	OXIDE METAL FILM, 3W 33K OHM J
RE07	24382470	OXIDE FILM, 1W 47 J
RE08	24366122	CARBON FILM, 1/6W 1.2K OHM J
RE09	24366102	CARBON FILM, 1/6W 1K OHM J
RE10	24510159	CERAMIC COVERD, 5W 1.5 OHM J
RE11	24366472	CARBON FILM, 1/6W 4.7K OHM J
RE12	24366102	CARBON FILM, 1/6W 1K OHM J
RE13	24366472	CARBON FILM, 1/6W 4.7K OHM J
RE14	24366102	CARBON FILM, 1/6W 1K OHM J
RE15	24366102	CARBON FILM, 1/6W 1K OHM J
RE16	24000150	METAL FILM, 1/4W 680 OHM F
RE17	24000220	METAL FILM, 1/4W 390 OHM F
RE19	24366103	CARBON FILM, 1/6W 10K OHM J
RE24	24000164	METAL FILM, 1/4W 39 F
RE26	24000360	METAL FILM, 1/4W 1.2K OHM F
RE28	24000370	METAL FILM, 1/4W 3.3K OHM F
RE29	24000139	METAL FILM, 1/4W 180 F
RE30	24000365	METAL FILM, 1/4W 2K OHM F
RE32	24366223	CARBON FILM, 1/6W 22K OHM J
RE34	24366472	CARBON FILM, 1/6W 4.7K OHM J
RE35	24366103	CARBON FILM, 1/6W 10K OHM J
RE36	24366472	CARBON FILM, 1/6W 4.7K OHM J
RE37	24366103	CARBON FILM, 1/6W 10K OHM J
RE38	24366472	CARBON FILM, 1/6W 4.7K OHM J
RE39	24366103	CARBON FILM, 1/6W 10K OHM J
RE40	24382102	OXIDE METAL FILM, 1W 1K OHM J
RE41	24366223	CARBON FILM, 1/6W 22K OHM J
RE42	24366103	CARBON FILM, 1/6W 10K OHM J
RF71	24011101	CHIP, METAL FILM, 1/20W 100 OHM J
RF72	24011332	CHIP, METAL FILM, 1/20W 3.3K OHM J
RH002	24872473	CHIP, METAL FILM, 1/16W 47K OHM J
RH003	24872473	CHIP, METAL FILM, 1/16W 47K OHM J
RH004	24872221	CHIP, METAL FILM, 1/16W 220 OHM J

Location No.	Parts No.	Description
RS50	24011271	CHIP, METAL FILM, 1/20W 270 OHM J
RS51	24011104	CHIP, METAL FILM, 1/20W 100K OHM J
RS52	24011104	CHIP, METAL FILM, 1/20W 100K OHM J
RS53	24011223	CHIP, METAL FILM, 1/20W 22K OHM J
RS54	24011223	CHIP, METAL FILM, 1/20W 22K OHM J
RS55	24011103	CHIP, METAL FILM, 1/20W 10K OHM J
RS56	24011104	CHIP, METAL FILM, 1/20W 100K OHM J
RS57	24011102	CHIP, METAL FILM, 1/20W 1K OHM J
RS58	24011562	CHIP, METAL FILM, 1/20W 5.6K OHM J
RS59	24011562	CHIP, METAL FILM, 1/20W 5.6K OHM J
RT01	24011101	CHIP, METAL FILM, 1/20W 100 OHM J
RT02	24011101	CHIP, METAL FILM, 1/20W 100 OHM J
RT03	24011102	CHIP, METAL FILM, 1/20W 1K OHM J
RT04	24011102	CHIP, METAL FILM, 1/20W 1K OHM J
RT05	24011100	CHIP, METAL FILM, 1/20W 10 OHM J
RT06	24011332	CHIP, METAL FILM, 1/20W 3.3K OHM J
RT07	24011473	CHIP, METAL FILM, 1/20W 47K OHM J
RT08	24011473	CHIP, METAL FILM, 1/20W 47K OHM J
RT09	24011332	CHIP, METAL FILM, 1/20W 3.3K OHM J
RT10	24011222	CHIP, METAL FILM, 1/20W 2.2K OHM J
RT11	24011332	CHIP, METAL FILM, 1/20W 3.3K OHM J
RT12	24011222	CHIP, METAL FILM, 1/20W 2.2K OHM J
RT13	24011102	CHIP, METAL FILM, 1/20W 1K OHM J
RT14	24011102	CHIP, METAL FILM, 1/20W 1K OHM J
RT15	24011473	CHIP, METAL FILM, 1/20W 47K OHM J
RT16	24011473	CHIP, METAL FILM, 1/20W 47K OHM J
RT18	24011223	CHIP, METAL FILM, 1/20W 22K OHM J
RT19	24000445	CHIP JUMPER, 1608TYPE
RT20	24011102	CHIP, METAL FILM, 1/20W 1K OHM J
RT21	24011332	CHIP, METAL FILM, 1/20W 3.3K OHM J
RT22	24011222	CHIP, METAL FILM, 1/20W 2.2K OHM J
RT23	24000445	CHIP JUMPER, 1608TYPE
RT24	24000594	CHIP 1/16W 123F
RT26	24011472	CHIP, METAL FILM, 1/20W 4.7K OHM J
RT27	24000594	CHIP 1/16W 123F
RT28	24011101	CHIP, METAL FILM, 1/20W 100 OHM J
RT29	24011101	CHIP, METAL FILM, 1/20W 100 OHM J
RT30	24011473	CHIP, METAL FILM, 1/20W 47K OHM J
RT31	24011103	CHIP, METAL FILM, 1/20W 10K OHM J
RT32	24011103	CHIP, METAL FILM, 1/20W 10K OHM J
RT33	24011472	CHIP, METAL FILM, 1/20W 4.7K OHM J
RT34	24011222	CHIP, METAL FILM, 1/20W 2.2K OHM J
RT35	24011102	CHIP, METAL FILM, 1/20W 1K OHM J
RT37	24011101	CHIP, METAL FILM, 1/20W 100 OHM J
RT38	24011151	CHIP, METAL FILM, 1/20W 150 OHM J
RT39	24011561	CHIP, METAL FILM, 1/20W 560 OHM J
RT40	24011151	CHIP, METAL FILM, 1/20W 150 OHM J
RT42	24011470	CHIP, METAL FILM, 1/20W 47 OHM J
RT43	24011151	CHIP, METAL FILM, 1/20W 150 OHM J
RT44	24011103	CHIP, METAL FILM, 1/20W 10K OHM J
RV04	24011101	CHIP, METAL FILM, 1/20W 100 OHM J
RV05	24011222	CHIP, METAL FILM, 1/20W 2.2K OHM J
RV06	24872271	CHIP, METAL FILM, 1/16W 270 OHM J
RV07	24367103	CARBON FILM, 1/6W 10K OHM G
RV08	24367103	CARBON FILM, 1/6W 10K OHM G
RV09	24011101	CHIP, METAL FILM, 1/20W 100 OHM J
RV10	24011101	CHIP, METAL FILM, 1/20W 100 OHM J
RV20	24367103	CARBON FILM, 1/6W 10K OHM G
RV21	24367392	CARBON FILM, 1/6W 3.9K OHM G
RV22	24011222	CHIP, METAL FILM, 1/20W 2.2K OHM J
RV23	24552101	OXIDE METAL FILM, 1/2W 100 OHM J
RV25	24011101	CHIP, METAL FILM, 1/20W 100 OHM J
RV26	24011102	CHIP, METAL FILM, 1/20W 1K OHM J
RV27	24872750	CHIP, METAL FILM, 1/16W 75 OHM J
RV28	24011103	CHIP, METAL FILM, 1/20W 10K OHM J
RV281	24367102	CARBON FILM, 1/6W 1K OHM G
RV29	24011562	CHIP, METAL FILM, 1/20W 5.6K OHM J

Location No.	Parts No.	Description
RV30	24872750	CHIP, METAL FILM, 1/16W 75 OHM J
RV31	24872750	CHIP, METAL FILM, 1/16W 75 OHM J
RV32	24872750	CHIP, METAL FILM, 1/16W 75 OHM J
RV33	24367392	CARBON FILM, 1/6W 3.9K OHM G
RV34	24367392	CARBON FILM, 1/6W 3.9K OHM G
RV37	24872750	CHIP, METAL FILM, 1/16W 75 OHM J
RV41	24011101	CHIP, METAL FILM, 1/20W 100 OHM J
RV42	24011391	CHIP, METAL FILM, 1/20W 390 OHM J
RV43	24011102	CHIP, METAL FILM, 1/20W 1K OHM J
RV44	24011101	CHIP, METAL FILM, 1/20W 100 OHM J
RV60	24011222	CHIP, METAL FILM, 1/20W 2.2K OHM J
RV61	24552101	OXIDE METAL FILM, 1/2W 100 OHM J
RV62	24011101	CHIP, METAL FILM, 1/20W 100 OHM J
RV63	24011102	CHIP, METAL FILM, 1/20W 1K OHM J
RV64	24872750	CHIP, METAL FILM, 1/16W 75 OHM J
RV65	24552101	OXIDE METAL FILM, 1/2W 100 OHM J
RV66	24872750	CHIP, METAL FILM, 1/16W 75 OHM J
RV67	24011102	CHIP, METAL FILM, 1/20W 1K OHM J
RV68	24011101	CHIP, METAL FILM, 1/20W 100 OHM J
RV69	24011103	CHIP, METAL FILM, 1/20W 10K OHM J
RV70	24011562	CHIP, METAL FILM, 1/20W 5.6K OHM J
RV81	24872750	CHIP, METAL FILM, 1/16W 75 OHM J
RV85	24872750	CHIP, METAL FILM, 1/16W 75 OHM J
RV86	24872750	CHIP, METAL FILM, 1/16W 75 OHM J
RV87	24872750	CHIP, METAL FILM, 1/16W 75 OHM J
RV88	24872151	CHIP, METAL FILM, 1/16W 150 OHM J
RV89	24872151	CHIP, METAL FILM, 1/16W 150 OHM J
RV94	24011750	CHIP, METAL FILM, 1/20W 75 OHM J
RV95	24011750	CHIP, METAL FILM, 1/20W 75 OHM J
RV96	24011750	CHIP, METAL FILM, 1/20W 75 OHM J
RV331	24367102	CARBON FILM, 1/6W 1K OHM G
RV341	24367102	CARBON FILM, 1/6W 1K OHM G
RX101	24872393	CHIP, METAL FILM, 1/16W 39K OHM J
RX102	24872153	CHIP, METAL FILM, 1/16W 15K OHM J
RX103	24872221	CHIP, METAL FILM, 1/16W 220 OHM J
RX104	24872392	CHIP, METAL FILM, 1/16W 3.9K OHM J
RX106	24872331	CHIP, METAL FILM, 1/16W 330 OHM J
RX107	24872331	CHIP, METAL FILM, 1/16W 330 OHM J
RX108	24872680	CHIP, METAL FILM, 1/16W 68 OHM J
RX109	24872122	CHIP, METAL FILM, 1/16W 1.2K OHM J
RX110	24872122	CHIP, METAL FILM, 1/16W 1.2K OHM J
RX111	24872681	CHIP, METAL FILM, 1/16W 680 OHM J
RX112	24872470	CHIP, METAL FILM, 1/16W 47 OHM J
RX113	24872471	CHIP, METAL FILM, 1/16W 470 OHM J
RX114	24872681	CHIP, METAL FILM, 1/16W 680 OHM J
RX115	24872101	CHIP, METAL FILM, 1/16W 100 OHM J
RX116	24872681	CHIP, METAL FILM, 1/16W 680 OHM J
RX117	24872201	CHIP, METAL FILM, 1/16W 200 OHM J
RX118	24872221	CHIP, METAL FILM, 1/16W 220 OHM J
RX119	24872101	CHIP, METAL FILM, 1/16W 100 OHM J
RX120	24872101	CHIP, METAL FILM, 1/16W 100 OHM J
RX121	24872101	CHIP, METAL FILM, 1/16W 100 OHM J
RX122	24872122	CHIP, METAL FILM, 1/16W 1.2K OHM J
RX123	24872331	CHIP, METAL FILM, 1/16W 330 OHM J
RX124	24872101	CHIP, METAL FILM, 1/16W 100 OHM J
RX125	24872101	CHIP, METAL FILM, 1/16W 100 OHM J
RX129	24872100	CHIP, METAL FILM, 1/16W 10 OHM J
RX141	24872101	CHIP, METAL FILM, 1/16W 100 OHM J
RX143	24872393	CHIP, METAL FILM, 1/16W 39K OHM J
RX144	24872153	CHIP, METAL FILM, 1/16W 15K OHM J
RX145	24872201	CHIP, METAL FILM, 1/16W 200 OHM J
RX146	24872221	CHIP, METAL FILM, 1/16W 220 OHM J
RX147	24872681	CHIP, METAL FILM, 1/16W 680 OHM J
RX150	24872101	CHIP, METAL FILM, 1/16W 100 OHM J
RX152	24872331	CHIP, METAL FILM, 1/16W 330 OHM J
RX155	24872102	CHIP, METAL FILM, 1/16W 1K OHM J
RX156	24872272	CHIP, METAL FILM, 1/16W 2.7K OHM J

Location No.	Parts No.	Description
RX157	24872471	CHIP, METAL FILM, 1/16W 470 OHM J
RX158	24872471	CHIP, METAL FILM, 1/16W 470 OHM J
RX161	24872101	CHIP, METAL FILM, 1/16W 100 OHM J
RX163	24872393	CHIP, METAL FILM, 1/16W 39K OHM J
RX164	24872153	CHIP, METAL FILM, 1/16W 15K OHM J
RX165	24872201	CHIP, METAL FILM, 1/16W 200 OHM J
RX166	24872221	CHIP, METAL FILM, 1/16W 220 OHM J
RX167	24872681	CHIP, METAL FILM, 1/16W 680 OHM J
RX170	24872101	CHIP, METAL FILM, 1/16W 100 OHM J
RX172	24872331	CHIP, METAL FILM, 1/16W 330 OHM J
RX175	24872102	CHIP, METAL FILM, 1/16W 1K OHM J
RX176	24872272	CHIP, METAL FILM, 1/16W 2.7K OHM J
RX177	24872471	CHIP, METAL FILM, 1/16W 470 OHM J
RX178	24872471	CHIP, METAL FILM, 1/16W 470 OHM J
RX179	24872101	CHIP, METAL FILM, 1/16W 100 OHM J
RX180	24872101	CHIP, METAL FILM, 1/16W 100 OHM J
RX181	24872680	CHIP, METAL FILM, 1/16W 68 OHM J
RX185	24872470	CHIP, METAL FILM, 1/16W 47 OHM J
RX186	24872101	CHIP, METAL FILM, 1/16W 100 OHM J
RX191	24872100	CHIP, METAL FILM, 1/16W 10 OHM J
RX192	24872100	CHIP, METAL FILM, 1/16W 10 OHM J
RX193	24872100	CHIP, METAL FILM, 1/16W 10 OHM J
RX201	24872102	CHIP, METAL FILM, 1/16W 1K OHM J
RX202	24872103	CHIP, METAL FILM, 1/16W 10K OHM J
RX203	24872103	CHIP, METAL FILM, 1/16W 10K OHM J
RX204	24000824	JUMPER CHIP, 2125TYPE
RX205	24019439	CHIP BLOCK, 1/16W P-8 47 OHM J
RX206	24019439	CHIP BLOCK, 1/16W P-8 47 OHM J
RX207	24019439	CHIP BLOCK, 1/16W P-8 47 OHM J
RX208	24019439	CHIP BLOCK, 1/16W P-8 47 OHM J
RX209	24019439	CHIP BLOCK, 1/16W P-8 47 OHM J
RX210	24019439	CHIP BLOCK, 1/16W P-8 47 OHM J
RX211	24019439	CHIP BLOCK, 1/16W P-8 47 OHM J
RX212	24019439	CHIP BLOCK, 1/16W P-8 47 OHM J
RX214	24872103	CHIP, METAL FILM, 1/16W 10K OHM J
RX216	24872102	CHIP, METAL FILM, 1/16W 1K OHM J
RX221	24872470	CHIP, METAL FILM, 1/16W 47 OHM J
RX222	24872470	CHIP, METAL FILM, 1/16W 47 OHM J
RX223	24872470	CHIP, METAL FILM, 1/16W 47 OHM J
RX225	24872151	CHIP, METAL FILM, 1/16W 150 OHM J
RX226	24872331	CHIP, METAL FILM, 1/16W 330 OHM J
RX229	24872332	CHIP, METAL FILM, 1/16W 3.3K OHM J
RX231	24872470	CHIP, METAL FILM, 1/16W 47 OHM J
RX232	24872470	CHIP, METAL FILM, 1/16W 47 OHM J
RX233	24872470	CHIP, METAL FILM, 1/16W 47 OHM J
RX235	24872274	CHIP, METAL FILM, 1/16W 270K OHM J
RX236	24872472	CHIP, METAL FILM, 1/16W 4.7K OHM J
RX237	24872221	CHIP, METAL FILM, 1/16W 220 OHM J
RX240	24872272	CHIP, METAL FILM, 1/16W 2.7K OHM J
RX256	24000824	JUMPER CHIP, 2125TYPE
RX258	24872470	CHIP, METAL FILM, 1/16W 47 OHM J
RX259	24872470	CHIP, METAL FILM, 1/16W 47 OHM J
RX261	24872101	CHIP, METAL FILM, 1/16W 100 OHM J
RX263	24872101	CHIP, METAL FILM, 1/16W 100 OHM J
RX274	24872221	CHIP, METAL FILM, 1/16W 220 OHM J
RX275	24872221	CHIP, METAL FILM, 1/16W 220 OHM J
RX276	24872221	CHIP, METAL FILM, 1/16W 220 OHM J
RX277	24872221	CHIP, METAL FILM, 1/16W 220 OHM J
RX278	24872221	CHIP, METAL FILM, 1/16W 220 OHM J
RX279	24872471	CHIP, METAL FILM, 1/16W 470 OHM J
RX280	24872471	CHIP, METAL FILM, 1/16W 470 OHM J
RX281	24019439	CHIP BLOCK, 1/16W P-8 47 OHM J
RX282	24019439	CHIP BLOCK, 1/16W P-8 47 OHM J
RX283	24019439	CHIP BLOCK, 1/16W P-8 47 OHM J
RX284	24019439	CHIP BLOCK, 1/16W P-8 47 OHM J
RX285	24872332	CHIP, METAL FILM, 1/16W 3.3K OHM J
RX286	24872332	CHIP, METAL FILM, 1/16W 3.3K OHM J

Location No.	Parts No.	Description
RX291	24872101	CHIP, METAL FILM, 1/16W 100 OHM J
RX292	24872101	CHIP, METAL FILM, 1/16W 100 OHM J
RX293	24872332	CHIP, METAL FILM, 1/16W 3.3K OHM J
RX301	24872201	CHIP, METAL FILM, 1/16W 200 OHM J
RX302	24872272	CHIP, METAL FILM, 1/16W 2.7K OHM J
RX303	24872201	CHIP, METAL FILM, 1/16W 200 OHM J
RX304	24872272	CHIP, METAL FILM, 1/16W 2.7K OHM J
RX305	24872201	CHIP, METAL FILM, 1/16W 200 OHM J
RX306	24872272	CHIP, METAL FILM, 1/16W 2.7K OHM J
RX307	24872222	CHIP, METAL FILM, 1/16W 2.2K OHM J
RX308	24872112	CHIP, METAL FILM, 1/16W 1.1K OHM J
RX309	24872122	CHIP, METAL FILM, 1/16W 1.2K OHM J
RX310	24872122	CHIP, METAL FILM, 1/16W 1.2K OHM J
RX311	24872122	CHIP, METAL FILM, 1/16W 1.2K OHM J
RX312	24872101	CHIP, METAL FILM, 1/16W 100 OHM J
RX313	24872152	CHIP, METAL FILM, 1/16W 1.5K OHM J
RX314	24872101	CHIP, METAL FILM, 1/16W 100 OHM J
RX315	24872101	CHIP, METAL FILM, 1/16W 100 OHM J
RX316	24872101	CHIP, METAL FILM, 1/16W 100 OHM J
RX321	24872223	CHIP, METAL FILM, 1/16W 22K OHM J
RX322	24872223	CHIP, METAL FILM, 1/16W 22K OHM J
RX325	24872101	CHIP, METAL FILM, 1/16W 100 OHM J
RX330	24872821	CHIP, METAL FILM, 1/16W 820 OHM J
RX331	24872151	CHIP, METAL FILM, 1/16W 150 OHM J
RX332	24872821	CHIP, METAL FILM, 1/16W 820 OHM J
RX334	24872561	CHIP, METAL FILM, 1/16W 560 OHM J
RX341	24872223	CHIP, METAL FILM, 1/16W 22K OHM J
RX342	24872223	CHIP, METAL FILM, 1/16W 22K OHM J
RX345	24872101	CHIP, METAL FILM, 1/16W 100 OHM J
RX350	24872821	CHIP, METAL FILM, 1/16W 820 OHM J
RX351	24872121	CHIP, METAL FILM, 1/16W 120 OHM J
RX352	24872681	CHIP, METAL FILM, 1/16W 680 OHM J
RX354	24872561	CHIP, METAL FILM, 1/16W 560 OHM J
RX361	24872223	CHIP, METAL FILM, 1/16W 22K OHM J
RX362	24872223	CHIP, METAL FILM, 1/16W 22K OHM J
RX365	24872101	CHIP, METAL FILM, 1/16W 100 OHM J
RX370	24872821	CHIP, METAL FILM, 1/16W 820 OHM J
RX371	24872121	CHIP, METAL FILM, 1/16W 120 OHM J
RX372	24872681	CHIP, METAL FILM, 1/16W 680 OHM J
RX374	24872561	CHIP, METAL FILM, 1/16W 560 OHM J
RX402	24872101	CHIP, METAL FILM, 1/16W 100 OHM J
RX404	24872101	CHIP, METAL FILM, 1/16W 100 OHM J
RX406	24872101	CHIP, METAL FILM, 1/16W 100 OHM J
RX408	24872101	CHIP, METAL FILM, 1/16W 100 OHM J
RX410	24872101	CHIP, METAL FILM, 1/16W 100 OHM J
RX412	24872101	CHIP, METAL FILM, 1/16W 100 OHM J
RX421	24872221	CHIP, METAL FILM, 1/16W 220 OHM J
RX422	24872221	CHIP, METAL FILM, 1/16W 220 OHM J
RX423	24872221	CHIP, METAL FILM, 1/16W 220 OHM J
RX424	24872221	CHIP, METAL FILM, 1/16W 220 OHM J
RX425	24872221	CHIP, METAL FILM, 1/16W 220 OHM J
RX426	24872101	CHIP, METAL FILM, 1/16W 100 OHM J
RX427	24872221	CHIP, METAL FILM, 1/16W 220 OHM J
RX428	24872221	CHIP, METAL FILM, 1/16W 220 OHM J
RX429	24872221	CHIP, METAL FILM, 1/16W 220 OHM J
RX430	24872221	CHIP, METAL FILM, 1/16W 220 OHM J
RX431	24322478	METAL FILM, 1W R47 J
RX621	24872182	CHIP, METAL FILM, 1/16W 1.8K OHM J
RX622	24872222	CHIP, METAL FILM, 1/16W 2.2K OHM J
RX623	24872101	CHIP, METAL FILM, 1/16W 100 OHM J
RX624	24872102	CHIP, METAL FILM, 1/16W 1K OHM J
RX626	24872222	CHIP, METAL FILM, 1/16W 2.2K OHM J
RX627	24872101	CHIP, METAL FILM, 1/16W 100 OHM J
RZ01	24011102	CHIP, METAL FILM, 1/20W 1K OHM J
RZ02	24011102	CHIP, METAL FILM, 1/20W 1K OHM J
RZ03	24011222	CHIP, METAL FILM, 1/20W 2.2K OHM J
RZ04	24872102	CHIP, METAL FILM, 1/16W 1K OHM J

Location No.	Parts No.	Description
RZ05	24011471	CHIP, METAL FILM, 1/20W 470 OHM J
RZ06	24011331	CHIP, METAL FILM, 1/20W 330 OHM J
RZ08	24011471	CHIP, METAL FILM, 1/20W 470 OHM J
RZ13	24872102	CHIP, METAL FILM, 1/16W 1K OHM J
RZ14	24872102	CHIP, METAL FILM, 1/16W 1K OHM J
RZ15	24872102	CHIP, METAL FILM, 1/16W 1K OHM J
RZ17	24011391	CHIP, METAL FILM, 1/20W 390 OHM J
RZ18	24011391	CHIP, METAL FILM, 1/20W 390 OHM J
RZ29	24011101	CHIP, METAL FILM, 1/20W 100 OHM J
RZ30	24011101	CHIP, METAL FILM, 1/20W 100 OHM J
COILS & TRANSFORMERS		
L101	23221803	COIL, CHOKE, TLN3040D
L201	23103823	COIL, FILTER, TEM2027D
L202	23103823	COIL, FILTER, TEM2027D
L203	23103823	COIL, FILTER, TEM2027D
L204	23103852	COIL, FILTER, TEM2028AH
L205	23245819	COIL, TRF41R2CB
L206	23245823	INDUCTOR, TRF42R7CB
L207	23245823	INDUCTOR, TRF42R7CB
L208	23245823	INDUCTOR, TRF42R7CB
L302	23248073	COIL, CHOKE, TLN3299D
L303	23248073	COIL, CHOKE, TLN3299D
L304	23103880	COIL, CHOKE, TEM2011Y
L310	23237975	COIL, PEAKING, TRF4101AC
L311	23237975	COIL, PEAKING, TRF4101AC
L401	23289560	COIL, PEAKING, TRF4560AF
L402	23248248	COIL, CHOKE, TLN3500AH
L403	23103880	COIL, CHOKE, TEM2011Y
L406	23248191	COIL, CHOKE, TLN3351AD
L407	23103775	COIL, FERRITE CHOKE, TEM2014
L408	23103775	COIL, FERRITE CHOKE, TEM2014
L409	23237975	COIL, PEAKING, TRF4101AC
L441	23233995	COIL, LINEARITY, TLN2215AG
L462	23231346	DEFLECTION YOKE, TDY707PDE
L463	23231346	DEFLECTION YOKE, TDY707PDE
L464	23231346	DEFLECTION YOKE, TDY707PDE
L472	23102441	MAGNET, CONVERGENCE, MAG1094
L473	23102499	MAGNET, CPM29.1VM, MAG-1119
L474	23102441	MAGNET, CONVERGENCE, MAG1094
L501	23289470	COIL, PEAKING, TRF4470AF
L501	23103828	INDUCTOR, BEAD, TEM2121M
L502	23103828	INDUCTOR, BEAD, TEM2121M (42WT29B)
L502	23103828	INDUCTOR, BEAD, TEM2121M (50WT29B)
L503	23289470	COIL, PEAKING, TRF4470AF
L503	23103887	INDUCTOR, CHIP BEAD, TEM2130AM
L504	23238714	COIL, PEAKING, TRF4100AJ
L505	23280022	COIL, PEAKING, TRF4101AZ
L506	23280022	COIL, PEAKING, TRF4101AZ
L510	23103852	COIL, FILTER, TEM2028AH
L511	23103845	COIL, COMMONMODE, TEM2030AY
L512	23103845	COIL, COMMONMODE, TEM2030AY
L513	23103845	COIL, COMMONMODE, TEM2030AY
L514	23103852	COIL, FILTER, TEM2028AH
L515	23103845	COIL, COMMONMODE, TEM2030AY
L516	23103845	COIL, COMMONMODE, TEM2030AY
L601	23103823	COIL, FILTER, TEM2027D
L602	23103823	COIL, FILTER, TEM2027D
L605	23248073	COIL, CHOKE, TLN3299D
L671	23103887	INDUCTOR, CHIP BEAD, TEM2130AM
L672	23103887	INDUCTOR, CHIP BEAD, TEM2130AM
L673	23103887	INDUCTOR, CHIP BEAD, TEM2130AM
L674	23103887	INDUCTOR, CHIP BEAD, TEM2130AM
L701	23248035	COIL, CHOKE, TLN3278D
L701	23289840	COIL, PEAKING, TRF4100AT
L702	23248031	COIL, CHOKE, TLN3274D
L702	23261974	COIL, FERRITE BEAD, HC5-035

Location No.	Parts No.	Description
L703	23248031	COIL, CHOKE, TLN3274D
L704	23103859	COIL, CHOKE, TEM2011
L704	23248035	COIL, CHOKE, TLN3278D
L705	23103859	COIL, CHOKE, TEM2011
L705	23248031	COIL, CHOKE, TLN3274D
L764	23103859	COIL, CHOKE, TEM2011
L765	23103859	COIL, CHOKE, TEM2011
L766	23261974	COIL, FERRITE BEAD, HC5-035
L769	23289840	COIL, PEAKING, TRF4100AT
L780	23289840	COIL, PEAKING, TRF4100AT
L781	23103859	COIL, CHOKE, TEM2011
L782	23103859	COIL, CHOKE, TEM2011
L783	23261974	COIL, FERRITE BEAD, HC5-035
L801	23217472	TRANSFORMER, CHOKE, TPW2027AZ
L821	23103880	COIL, CHOKE, TEM2011Y
L822	23103880	COIL, CHOKE, TEM2011Y
L828	70211045	COIL, CHOKE, 0.02MH-2.5, 20MMH
L829	70211045	COIL, CHOKE, 0.02MH-2.5, 20MMH
L840	23289842	COIL, PEAKING, TRF4220AT
L841	23289842	COIL, PEAKING, TRF4220AT
L850	23103880	COIL, CHOKE, TEM2011Y
L851	23103880	COIL, CHOKE, TEM2011Y
L852	23248195	COIL, CHOKE, TLN3441AT
L853	23248195	COIL, CHOKE, TLN3441AT
L854	70211045	COIL, CHOKE, 0.02MH-2.5, 20MMH
L855	70211045	COIL, CHOKE, 0.02MH-2.5, 20MMH
L861	23103880	COIL, CHOKE, TEM2011Y
L862	23103880	COIL, CHOKE, TEM2011Y
L881	23103880	COIL, CHOKE, TEM2011Y
L882	23103880	COIL, CHOKE, TEM2011Y
L885	23248073	COIL, CHOKE, TLN3299D
L888	23103880	COIL, CHOKE, TEM2011Y
L889	23103880	COIL, CHOKE, TEM2011Y
L891	23103880	COIL, CHOKE, TEM2011Y
L892	23103880	COIL, CHOKE, TEM2011Y
L893	23103880	COIL, CHOKE, TEM2011Y
L894	23103880	COIL, CHOKE, TEM2011Y
L895	70211045	COIL, CHOKE, 0.02MH-2.5, 20MMH
L896	70211045	COIL, CHOKE, 0.02MH-2.5, 20MMH
L897	23222694	COIL, HORIZ WIDTH, TLN2026
L898	23222694	COIL, HORIZ WIDTH, TLN2026
L901	23237975	COIL, PEAKING, TRF4101AC
L903	23289845	COIL, PEAKING 68.00MMHJ, COLTRF4680AT
L911	23289840	COIL, PEAKING, TRF4100AT
L912	23289845	COIL, PEAKING 68.00MMHJ, COLTRF4680AT
L913	23238714	COIL, PEAKING, TRF4100AJ
L915	23289834	COIL, PEAKING, TRF41R0AT
L922	23289845	COIL, PEAKING 68.00MMHJ, COLTRF4680AT
L925	23289834	COIL, PEAKING, TRF41R0AT
L961	23238714	COIL, PEAKING, TRF4100AJ
L962	23289834	COIL, PEAKING, TRF41R0AT
L4401	23289470	COIL, PEAKING, TRF4470AF
L7701	23103880	COIL, CHOKE, TEM2011Y
L7702	23103880	COIL, CHOKE, TEM2011Y
L7703	23103880	COIL, CHOKE, TEM2011Y
L7704	23103880	COIL, CHOKE, TEM2011Y
L7705	23103880	COIL, CHOKE, TEM2011Y
L7706	23103880	COIL, CHOKE, TEM2011Y
L7708	23103880	COIL, CHOKE, TEM2011Y
L7709	23103880	COIL, CHOKE, TEM2011Y
L7712	23248195	COIL, CHOKE, TLN3441AT
L7713	23248195	COIL, CHOKE, TLN3441AT
LA01	23289840	COIL, PEAKING, TRF4100AT
LA01	23245843	COIL, TRF4121CB
LA03	23245843	COIL, TRF4121CB
LA06	23245843	COIL, TRF4121CB
LA08	23245843	COIL, TRF4121CB

Location No.	Parts No.	Description
LA09	23103831	INDUCTOR, BEAD, TEM2124M
LA21	23103887	INDUCTOR, CHIP BEAD, TEM2130AM
LA29	23103831	INDUCTOR, BEAD, TEM2124M
LA30	23103831	INDUCTOR, BEAD, TEM2124M
LA31	23103831	INDUCTOR, BEAD, TEM2124M
LA32	23103831	INDUCTOR, BEAD, TEM2124M
LA35	23103887	INDUCTOR, CHIP BEAD, TEM2130AM
LA36	23103831	INDUCTOR, BEAD, TEM2124M
LC01	23103152	FILTER, CHIP BEAD 1.5A 600OHM BLM31PG601SN1
LC01	23103828	INDUCTOR, BEAD, TEM2121M
LC02	23103831	INDUCTOR, BEAD, TEM2124M
LC02	23103828	INDUCTOR, BEAD, TEM2121M
LC03	23103831	INDUCTOR, BEAD, TEM2124M
LC03	23103828	INDUCTOR, BEAD, TEM2121M
LC04	23103831	INDUCTOR, BEAD, TEM2124M
LC04	23103828	INDUCTOR, BEAD, TEM2121M
LC05	23103152	FILTER, CHIP BEAD 1.5A 600OHM BLM31PG601SN1
LC05	23103828	INDUCTOR, BEAD, TEM2121M
LC06	23103152	FILTER, CHIP BEAD 1.5A 600OHM BLM31PG601SN1
LC06	23103828	INDUCTOR, BEAD, TEM2121M
LC07	23238562	COIL, PEAKING, TRF4109AJ
LC07	23103152	FILTER, CHIP BEAD 1.5A 600OHM BLM31PG601SN1
LC08	23238562	COIL, PEAKING, TRF4109AJ
LC08	23103887	INDUCTOR, CHIP BEAD, TEM2130AM
LC09	23103831	INDUCTOR, BEAD, TEM2124M
LC09	23103828	INDUCTOR, BEAD, TEM2121M
LC10	23103831	INDUCTOR, BEAD, TEM2124M
LC10	23103828	INDUCTOR, BEAD, TEM2121M
LC11	23103152	FILTER, CHIP BEAD 1.5A 600OHM BLM31PG601SN1
LC11	23103828	INDUCTOR, BEAD, TEM2121M
LC12	23238562	COIL, PEAKING, TRF4109AJ
LC12	23103831	INDUCTOR, BEAD, TEM2124M
LC12	23103828	INDUCTOR, BEAD, TEM2121M
LC13	23103831	INDUCTOR, BEAD, TEM2124M
LC14	23103831	INDUCTOR, BEAD, TEM2124M
LC15	23103152	FILTER, CHIP BEAD 1.5A 600OHM BLM31PG601SN1
LC16	23103152	FILTER, CHIP BEAD 1.5A 600OHM BLM31PG601SN1
LC17	23103152	FILTER, CHIP BEAD 1.5A 600OHM BLM31PG601SN1
LC18	23103887	INDUCTOR, CHIP BEAD, TEM2130AM
LC19	23103831	INDUCTOR, BEAD, TEM2124M
LC20	23103831	INDUCTOR, BEAD, TEM2124M
LC20	23103832	INDUCTOR, BEAD, TEM2125M
LC21	23103775	COIL, FERRITE CHOKE, TEM2014
LC22	23103775	COIL, FERRITE CHOKE, TEM2014
LC43	23103828	INDUCTOR, BEAD, TEM2121M
LC45	23238562	COIL, PEAKING, TRF4109AJ
LC66	23289100	COIL, PEAKING, TRF4100AF
LC83	23289109	COIL, PEAKING, TRF41R0AF
LD81	23103828	INDUCTOR, BEAD, TEM2121M
LD82	23289470	COIL, PEAKING, TRF4470AF
LD84	23103845	COIL, COMMONMODE, TEM2030AY
LE01	23103880	COIL, CHOKE, TEM2011Y
LE02	23103880	COIL, CHOKE, TEM2011Y
LE10	23103880	COIL, CHOKE, TEM2011Y
LE11	23103880	COIL, CHOKE, TEM2011Y
LE14	23103880	COIL, CHOKE, TEM2011Y
LE22	70211045	COIL, CHOKE, 0.02MH-2.5, 20MMH
LE23	70211045	COIL, CHOKE, 0.02MH-2.5, 20MMH
LE30	23289842	COIL, PEAKING, TRF4220AT

Location No.	Parts No.	Description
LG102	23103828	INDUCTOR, BEAD, TEM2121M
LH001	23103864	FILTER, TEM2103T
LH003	23103859	COIL, CHOKE, TEM2011
LH004	23103859	COIL, CHOKE, TEM2011
LH005	23103859	COIL, CHOKE, TEM2011
LH007	23103795	IMPEDER, MMZ2012S301A
LH009	23103795	IMPEDER, MMZ2012S301A
LH010	23103795	IMPEDER, MMZ2012S301A
LH012	23103859	COIL, CHOKE, TEM2011
LH063	23103864	FILTER, TEM2103T
LH064	23103864	FILTER, TEM2103T
LH065	23103864	FILTER, TEM2103T
LH068	23103832	INDUCTOR, BEAD, TEM2125M
LH069	23103832	INDUCTOR, BEAD, TEM2125M
LH120	23103864	FILTER, TEM2103T
LH122	23103864	FILTER, TEM2103T
LH123	23103864	FILTER, TEM2103T
LR01	23289109	COIL, PEAKING, TRF41R0AF
LR02	23289109	COIL, PEAKING, TRF41R0AF
LT01	23103828	INDUCTOR, BEAD, TEM2121M
LT02	23103828	INDUCTOR, BEAD, TEM2121M
LT03	23103828	INDUCTOR, BEAD, TEM2121M
LT04	23103828	INDUCTOR, BEAD, TEM2121M
LT05	23103828	INDUCTOR, BEAD, TEM2121M
LT07	23103828	INDUCTOR, BEAD, TEM2121M
LT08	23103828	INDUCTOR, BEAD, TEM2121M
LT09	23103828	INDUCTOR, BEAD, TEM2121M
LT11	23103828	INDUCTOR, BEAD, TEM2121M
LT12	23103828	INDUCTOR, BEAD, TEM2121M
LV02	23103845	COIL, COMMONMODE, TEM2030AY
LV09	23280022	COIL, PEAKING, TRF4101AZ
LV42	23289840	COIL, PEAKING, TRF4100AT
LV43	23289840	COIL, PEAKING, TRF4100AT
LX101	23103822	INDUCTOR, BEAD, TEM2117T
LX104	23245827	COIL, CHIP 5.6MMHJ
LX105	23103822	INDUCTOR, BEAD, TEM2117T
LX106	23103822	INDUCTOR, BEAD, TEM2117T
LX107	23103822	INDUCTOR, BEAD, TEM2117T
LX110	23103822	INDUCTOR, BEAD, TEM2117T
LX143	23245835	COIL, CHIP INDUCTOR, TRF4270CB
LX144	23103822	INDUCTOR, BEAD, TEM2117T
LX145	23103822	INDUCTOR, BEAD, TEM2117T
LX150	23103822	INDUCTOR, BEAD, TEM2117T
LX152	23103822	INDUCTOR, BEAD, TEM2117T
LX153	23103822	INDUCTOR, BEAD, TEM2117T
LX163	23245835	COIL, CHIP INDUCTOR, TRF4270CB
LX201	23103886	INDUCTOR, CHIP BEAD 3A 60OHM
LX221	23103822	INDUCTOR, BEAD, TEM2117T
LX222	23103822	INDUCTOR, BEAD, TEM2117T
LX223	23103822	INDUCTOR, BEAD, TEM2117T
LX226	23103822	INDUCTOR, BEAD, TEM2117T
LX227	23103822	INDUCTOR, BEAD, TEM2117T
LX231	23103822	INDUCTOR, BEAD, TEM2117T
LX232	23103822	INDUCTOR, BEAD, TEM2117T
LX233	23103822	INDUCTOR, BEAD, TEM2117T
LX236	23103822	INDUCTOR, BEAD, TEM2117T
LX237	23103822	INDUCTOR, BEAD, TEM2117T
LX261	23103822	INDUCTOR, BEAD, TEM2117T
LX271	23103822	INDUCTOR, BEAD, TEM2117T
LX301	23103822	INDUCTOR, BEAD, TEM2117T
LX321	23103822	INDUCTOR, BEAD, TEM2117T
LX322	23245825	INDUCTOR, TRF43R9CB
LX342	23245826	COIL, TRF44R7CB
LX362	23245826	COIL, TRF44R7CB
LX401	23103886	INDUCTOR, CHIP BEAD 3A 60OHM
LX402	23103822	INDUCTOR, BEAD, TEM2117T
LX403	23103822	INDUCTOR, BEAD, TEM2117T

Location No.	Parts No.	Description
LX404	23103822	INDUCTOR, BEAD, TEM2117T
LX405	23103822	INDUCTOR, BEAD, TEM2117T
LX407	23103822	INDUCTOR, BEAD, TEM2117T
LX421	23238562	COIL, PEAKING, TRF4109AJ
LX422	23238562	COIL, PEAKING, TRF4109AJ
LX423	23238562	COIL, PEAKING, TRF4109AJ
LX424	23238562	COIL, PEAKING, TRF4109AJ
LX425	23238562	COIL, PEAKING, TRF4109AJ
LX426	23238562	COIL, PEAKING, TRF4109AJ
LX427	23238562	COIL, PEAKING, TRF4109AJ
LX428	23238718	COIL, PEAKING, TRF4479AJ
LX429	23238718	COIL, PEAKING, TRF4479AJ
LX430	23238562	COIL, PEAKING, TRF4109AJ
LX431	23103880	COIL, CHOKE, TEM2011Y
LX601	23103822	INDUCTOR, BEAD, TEM2117T
LX611	23103822	INDUCTOR, BEAD, TEM2117T
LZ01	23238710	COIL, PEAKING, TRF4220AJ
LZ02	23280022	COIL, PEAKING, TRF4101AZ
LZ03	23280022	COIL, PEAKING, TRF4101AZ
LZ04	23289844	COIL, PEAKING, TRF4470AT
LZ05	23289844	COIL, PEAKING, TRF4470AT
LZ06	23103852	COIL, FILTER, TEM2028AH
LZ07	23103827	INDUCTOR, BEAD, TEM2120M
LZ09	23103827	INDUCTOR, BEAD, TEM2120M
LZ10	23103827	INDUCTOR, BEAD, TEM2120M
T400	23224364	TRANSFORMER, FOCUS, TLN2168AH
T401	23224371	TRANSFORMER, HORIZ DRIVE, TLN1080AH
△ T461A	23192961	ANODE CAP ASSY, TCC5605AU
△ T461Z	23236685	TRANSFORMER, HORIZ OUTPUT, TFB3089ZD
T501	23210338	TRANSFORMER, LINE MATCHING TRA
T801	23211717	COIL, LINE FILTER, TRF3164AM
T821	23211661	COIL, LINE FILTER, TRF3192
T822	23211661	COIL, LINE FILTER, TRF3192
△ T824	23217438	TRANSFORMER, CONVERTER, TPW3431AR
△ T862	23217467	TRANSFORMER, CONVERTER, TPW3450AS
△ TE01	23217538	TRANSFORMER, CONVERTER, TPW3487AE
TE02	23211661	COIL, LINE FILTER, TRF3192
SEMICONDUCTORS		
Q200	70128490	IC, MM1031XMR
Q201	23114433	TRANSISTOR, 2SC1815-Y
Q206	23314993	TRANSISTOR, 2SC4081 Q
Q237	23314993	TRANSISTOR, 2SC4081 Q
Q241	23114756	TRANSISTOR, 2SC2482
Q274	23314993	TRANSISTOR, 2SC4081 Q
Q301	23319787	IC, LA7833S
Q301B	70391355	SCREW, 3X8MM
Q302	23905266	IC, TA8859CP
Q304	70119059	IC, OP AMP, TA75902P(J)
Q305	23314994	TRANSISTOR, 2SA1576A106
Q306	70119059	IC, OP AMP, TA75902P(J)
Q307	23314993	TRANSISTOR, 2SC4081 Q
Q370	23314993	TRANSISTOR, 2SC4081 Q
Q371	23314994	TRANSISTOR, 2SA1576A106
Q372	23314993	TRANSISTOR, 2SC4081 Q
Q400	23205079	TRANSISTOR, 2SC4686A
Q402	23205166	TRANSISTOR, FET VDSS=100V, 2SK2962
Q404	23205149	TRANSISTOR, 2SC5859(FA)
Q404B	23850638	INSULATOR, TRANSISTOR, AC263
Q404D	72471082	SCREW, 3X10MM
Q405	23314994	TRANSISTOR, 2SA1576A106
Q406	23314993	TRANSISTOR, 2SC4081 Q
Q420	23114756	TRANSISTOR, 2SC2482
Q425	23205031	TRANSISTOR, FET, 2SK2920
Q426	23119747	IC, OPE AMP, TA75358P
Q427	70128158	IC, BA10393

Location No.	Parts No.	Description
Q428	23314993	TRANSISTOR, 2SC4081 Q
Q501	23000624	IC, TB1274F(J)
Q502	23000821	IC, YUV PICTURE IMPROVEMENT, TDA9178TN1
Q504	23000899	IC, V22BIS MODEM, 73M2901C-32IH
Q504	23314994	TRANSISTOR, 2SA1576A106
Q505	23314994	TRANSISTOR, 2SA1576A106
Q506	23114433	TRANSISTOR, 2SC1815-Y
Q507	23114501	TRANSISTOR, RN1402
Q507	23318559	IC, PHOTO COUPLER, TLP627
Q508	23318559	IC, PHOTO COUPLER, TLP627
Q509	23205128	TRANSISTOR, DARLINGTON NPN VCB, ZTX601
Q510	23000584	IC, TA1316AN
Q510	23314596	TRANSISTOR, FET, 2SK982
Q516	23318559	IC, PHOTO COUPLER, TLP627
Q517	23318559	IC, PHOTO COUPLER, TLP627
Q518	23318559	IC, PHOTO COUPLER, TLP627
Q581	23314993	TRANSISTOR, 2SC4081 Q
Q582	23314993	TRANSISTOR, 2SC4081 Q
Q583	23314993	TRANSISTOR, 2SC4081 Q
Q584	23314993	TRANSISTOR, 2SC4081 Q
Q585	23314993	TRANSISTOR, 2SC4081 Q
Q586	23314993	TRANSISTOR, 2SC4081 Q
Q587	23314993	TRANSISTOR, 2SC4081 Q
Q588	23314993	TRANSISTOR, 2SC4081 Q
Q589	23314994	TRANSISTOR, 2SA1576A106
Q605	23319553	IC, OP.AMP 4 14P TLO84CNS, TL084CNS
Q610	23000269	IC, TA8216H
Q610B	70391355	SCREW, 3X8MM
Q611	70114396	TRANSISTOR, 2SC3326B
Q612	70114396	TRANSISTOR, 2SC3326B
Q614	23114499	TRANSISTOR, RN1404
Q615	23314994	TRANSISTOR, 2SA1576A106
Q616	23314994	TRANSISTOR, 2SA1576A106
Q617	23119690	IC, OP AMP, TA75458P
Q618	23314993	TRANSISTOR, 2SC4081 Q
Q619	23314993	TRANSISTOR, 2SC4081 Q
Q620	23114493	TRANSISTOR, RN2404
Q621	70114396	TRANSISTOR, 2SC3326B
Q622	70114396	TRANSISTOR, 2SC3326B
Q623	23114493	TRANSISTOR, RN2404
Q624	70114396	TRANSISTOR, 2SC3326B
Q625	23114493	TRANSISTOR, RN2404
Q626	23314993	TRANSISTOR, 2SC4081 Q
Q627	70114396	TRANSISTOR, 2SC3326B
Q628	70114396	TRANSISTOR, 2SC3326B
Q629	70114396	TRANSISTOR, 2SC3326B
Q630	23318814	IC, TA8211AH
Q630B	70391355	SCREW, 3X8MM
Q640	23318814	IC, TA8211AH
Q640B	70391355	SCREW, 3X8MM
Q701	23000774	IC, DVB_T_OFDM_DEMO 2K_ONLY, CX22707-11
Q701	23319808	IC, M5218AP
Q702	23114433	TRANSISTOR, 2SC1815-Y
Q703	23114817	TRANSISTOR, 2SA817-Y(TEM)
Q704	23114442	TRANSISTOR, 2SC1627-Y(TEM)
Q705	23114442	TRANSISTOR, 2SC1627-Y(TEM)
Q706	23114433	TRANSISTOR, 2SC1815-Y
Q706	23114817	TRANSISTOR, 2SA817-Y(TEM)
Q707	23114437	TRANSISTOR, 2SC752GTM-Y
Q707	23205109	TRANSISTOR, KTC2028-Y
Q707B	23035310	SCREW, BTB3X10SZN
Q708	23205107	TRANSISTOR, KTA1049-Y
Q708B	23035310	SCREW, BTB3X10SZN
Q709	23114433	TRANSISTOR, 2SC1815-Y

Location No.	Parts No.	Description
Q710	23114425	TRANSISTOR, 2SA1015-Y(TE
Q711	23314701	TRANSISTOR, 2SB1186A, E
Q711	23319808	IC, M5218AP
Q711B	70391355	SCREW, 3X8MM
Q712	23114433	TRANSISTOR, 2SC1815-Y
Q712	23314705	TRANSISTOR, 2SD1763A, V07 E
Q712B	70391355	SCREW, 3X8MM
Q713	23114817	TRANSISTOR, 2SA817-Y(TEM)
Q714	23114442	TRANSISTOR, 2SC1627-Y(TEM)
Q715	23114442	TRANSISTOR, 2SC1627-Y(TEM)
Q716	23114817	TRANSISTOR, 2SA817-Y(TEM)
Q717	23205109	TRANSISTOR, KTC2028-Y
Q717B	23035310	SCREW, BTB3X10SZN
Q718	23205107	TRANSISTOR, KTA1049-Y
Q718B	23035310	SCREW, BTB3X10SZN
Q719	23114433	TRANSISTOR, 2SC1815-Y
Q720	23114433	TRANSISTOR, 2SC1815-Y
Q722	23114433	TRANSISTOR, 2SC1815-Y
Q723	23114817	TRANSISTOR, 2SA817-Y(TEM)
Q724	23114442	TRANSISTOR, 2SC1627-Y(TEM)
Q725	23114442	TRANSISTOR, 2SC1627-Y(TEM)
Q726	23114817	TRANSISTOR, 2SA817-Y(TEM)
Q727	23205109	TRANSISTOR, KTC2028-Y
Q727B	23035310	SCREW, BTB3X10SZN
Q728	23205107	TRANSISTOR, KTA1049-Y
Q728B	23035310	SCREW, BTB3X10SZN
Q732	23114433	TRANSISTOR, 2SC1815-Y
Q733	23114817	TRANSISTOR, 2SA817-Y(TEM)
Q734	23114442	TRANSISTOR, 2SC1627-Y(TEM)
Q735	23114442	TRANSISTOR, 2SC1627-Y(TEM)
Q736	23114817	TRANSISTOR, 2SA817-Y(TEM)
Q737	23205109	TRANSISTOR, KTC2028-Y
Q737B	23035310	SCREW, BTB3X10SZN
Q738	23205107	TRANSISTOR, KTA1049-Y
Q738B	23035310	SCREW, BTB3X10SZN
Q741	23319808	IC, M5218AP
Q742	23114433	TRANSISTOR, 2SC1815-Y
Q743	23114817	TRANSISTOR, 2SA817-Y(TEM)
Q744	23114442	TRANSISTOR, 2SC1627-Y(TEM)
Q745	23114442	TRANSISTOR, 2SC1627-Y(TEM)
Q746	23114817	TRANSISTOR, 2SA817-Y(TEM)
Q747	23205109	TRANSISTOR, KTC2028-Y
Q747B	23035310	SCREW, BTB3X10SZN
Q748	23205107	TRANSISTOR, KTA1049-Y
Q748B	23035310	SCREW, BTB3X10SZN
Q749	23114442	TRANSISTOR, 2SC1627-Y(TEM)
Q750	23114442	TRANSISTOR, 2SC1627-Y(TEM)
Q751	23114817	TRANSISTOR, 2SA817-Y(TEM)
Q752	23114433	TRANSISTOR, 2SC1815-Y
Q753	23114817	TRANSISTOR, 2SA817-Y(TEM)
Q754	23904268	IC, PQ05RR1
Q756	23318840	IC, AN79M05F
Q756B	70391356	SCREW, BITTB3X10 SZN
Q760	23114425	TRANSISTOR, 2SA1015-Y(TE
Q760	23205109	TRANSISTOR, KTC2028-Y
Q760B	23035310	SCREW, BTB3X10SZN
Q761	23314701	TRANSISTOR, 2SB1186A, E
Q761	70119306	IC, TA75393P
Q761B	70391355	SCREW, 3X8MM
Q762	23000044	IC, TC4066BP(N)
Q763	23114735	TRANSISTOR, 2SA102-Y(C)
Q764	23319372	IC, TC74HC14AP
Q765	23205107	TRANSISTOR, KTA1049-Y
Q765B	23035310	SCREW, BTB3X10SZN
Q767	23000044	IC, TC4066BP(N)
Q769	23114433	TRANSISTOR, 2SC1815-Y
Q771	23314705	TRANSISTOR, 2SD1763A, V07 E

Location No.	Parts No.	Description
Q771B	70391355	SCREW, 3X8MM
Q772	23314289	TRANSISTOR, 2SA1586-Y
Q773	23314993	TRANSISTOR, 2SC4081 Q
Q774	23314993	TRANSISTOR, 2SC4081 Q
Q775	23114817	TRANSISTOR, 2SA817-Y(TEM)
Q776	23114501	TRANSISTOR, RN1402
Q779	23114433	TRANSISTOR, 2SC1815-Y
Q781	23114433	TRANSISTOR, 2SC1815-Y
Q782	23114425	TRANSISTOR, 2SA1015-Y(TE
Q783	23114433	TRANSISTOR, 2SC1815-Y
Q784	23314701	TRANSISTOR, 2SB1186A, E
Q784B	70391355	SCREW, 3X8MM
Q785	23314705	TRANSISTOR, 2SD1763A, V07 E
Q785B	70391355	SCREW, 3X8MM
Q790	23205014	TRANSISTOR, 2SC4667-O
Q791	23314994	TRANSISTOR, 2SA1576A106
Q792	23314993	TRANSISTOR, 2SC4081 Q
Q793	23205031	TRANSISTOR, FET, 2SK2920
Q794	23205014	TRANSISTOR, 2SC4667-O
Q795	23314289	TRANSISTOR, 2SA1586-Y
Q796	23314993	TRANSISTOR, 2SC4081 Q
Q797	23205098	TRANSISTOR, FET, 2SJ377
Q798	23314993	TRANSISTOR, 2SC4081 Q
Q801	23135015	IC, STR-Z4369
Q821	23135008	IC, STR-F6668B
Q821B	70391356	SCREW, BITTB3X10 SZN
△ Q822	23904427	IC, PHOTO COUPLER, TLP621(GR-LF2
Q823	23905251	IC, SE024N
Q830	23905977	IC, PQ09RD11
Q830B	70391355	SCREW, 3X8MM
Q831	23905977	IC, PQ09RD11
Q831B	70391355	SCREW, 3X8MM
Q832	23905976	IC, PQ05RD11
Q832B	70391355	SCREW, 3X8MM
Q833	23905976	IC, PQ05RD11
Q833B	70391355	SCREW, 3X8MM
Q834	23905976	IC, PQ05RD11
Q834B	70391355	SCREW, 3X8MM
Q840	23904268	IC, PQ05RR1
Q840B	70391355	SCREW, 3X8MM
Q842	23114433	TRANSISTOR, 2SC1815-Y
Q843	23114433	TRANSISTOR, 2SC1815-Y
Q848	23114733	TRANSISTOR, 2SC2655-Y
△ Q862	23904427	IC, PHOTO COUPLER, TLP621(GR-LF2
Q901	23000466	IC, 5V REGULATOR, BA05SFP
Q901	23314971	TRANSISTOR, 2SC5360(FA)
Q902	23114433	TRANSISTOR, 2SC1815-Y
Q902	23114500	TRANSISTOR, RN1403
Q903	23000913	IC, CMOS OCTAL BUF/DRV, SN74AHCT541PW
Q904	23000089	IC, SN74AHCT244PW
Q907	23000089	IC, SN74AHCT244PW
Q908	23000089	IC, SN74AHCT244PW
Q909	23000089	IC, SN74AHCT244PW
Q910	23000914	IC, CMOS OCTAL TRANSCEIVERS, SN74AHCT245PW
Q911	23114497	TRANSISTOR, RN1406
Q911	23314971	TRANSISTOR, 2SC5360(FA)
Q912	23114433	TRANSISTOR, 2SC1815-Y
Q912	70114224	TRANSISTOR, 2SA1213-Y
Q913	23114425	TRANSISTOR, 2SA1015-Y(TE
Q914	23114433	TRANSISTOR, 2SC1815-Y
Q921	23314971	TRANSISTOR, 2SC5360(FA)
Q922	23114433	TRANSISTOR, 2SC1815-Y
Q961	23114433	TRANSISTOR, 2SC1815-Y
Q962	23114425	TRANSISTOR, 2SA1015-Y(TE
Q963	23114433	TRANSISTOR, 2SC1815-Y

Location No.	Parts No.	Description
Q964	23114425	TRANSISTOR, 2SA1015-Y(TE
Q965	23114433	TRANSISTOR, 2SC1815-Y
Q966	23114425	TRANSISTOR, 2SA1015-Y(TE
Q968	23114433	TRANSISTOR, 2SC1815-Y
Q971	23114425	TRANSISTOR, 2SA1015-Y(TE
Q972	23114425	TRANSISTOR, 2SA1015-Y(TE
Q973	23114425	TRANSISTOR, 2SA1015-Y(TE
Q974	23114433	TRANSISTOR, 2SC1815-Y
Q975	23114437	TRANSISTOR, 2SC752GTM-Y
Q2104	23114425	TRANSISTOR, 2SA1015-Y(TE
Q2105	23114425	TRANSISTOR, 2SA1015-Y(TE
Q2106	23114425	TRANSISTOR, 2SA1015-Y(TE
Q4451	23314475	TRANSISTOR, 2SC2712-Y
Q4452	23114497	TRANSISTOR, RN1406
Q4453	23114497	TRANSISTOR, RN1406
Q4454	23114497	TRANSISTOR, RN1406
Q4460	23314993	TRANSISTOR, 2SC4081 Q
QA01	23000895	IC, MPEG2 DECODER, SC2010
QA01	23009198	IC, 8BIT MICRO COMPUTER, 750010-192S
QA02	23000886	IC, 1MX16 3.3V SYN DRAM, MT48LC1M16A1T
QA02	23906642	IC, AT24C64-10PC
QA03	23000885	IC, 4MX16 3.3V SYN DRAM, MT48LC4M16A2T
QA04	23000906	IC, PPROM 16M 3.3V, MR27C1602E-U6
QA05	23009224	IC, MBM29LV160BE90TN
QA05	23205014	TRANSISTOR, 2SC4667-O
QA09	23009204	IC, PROGRAMABLE LOGIC 128, CY37128VP160
QA13	23000203	IC, RS-232 TRANCEIVERS, SP213ECA
QA14	23000904	IC, REGULATOR +2.5V TO252-3, BA25BC0FP
QA15	23000902	IC, REGULATOR +3.3V MTP-5, NJM2870F33
QA17	23906835	IC, 24LC64-I/SN
QA18	23000888	IC, VCXO IC, KA5SDJAS01
QA19	23906764	IC, FET BUS SWITCH, SN74CBTD3306PW
QA23	23000905	IC, REGULATOR +3.3V TO-252, NJM2391DL1-33
QA25	23906697	IC, VHC OCTAL BUFFER TSSOP, MC74VHC244DT
QB01	23000896	IC, 8BITCPU FLASH, HD64F3664FP
QB01	23314791	TRANSISTOR, 2PA1015Y
QB03	23314791	TRANSISTOR, 2PA1015Y
QB04	23314791	TRANSISTOR, 2PA1015Y
QB04	23314994	TRANSISTOR, 2SA1576A106
QB05	23314993	TRANSISTOR, 2SC4081 Q
QB06	23314994	TRANSISTOR, 2SA1576A106
QB42	23314994	TRANSISTOR, 2SA1576A106
QB43	23314993	TRANSISTOR, 2SC4081 Q
QB81	70114396	TRANSISTOR, 2SC3326B
QB82	70114396	TRANSISTOR, 2SC3326B
QB83	23314994	TRANSISTOR, 2SA1576A106
QB92	23314993	TRANSISTOR, 2SC4081 Q
QB93	23314994	TRANSISTOR, 2SA1576A106
QB94	23314994	TRANSISTOR, 2SA1576A106
QB95	23314994	TRANSISTOR, 2SA1576A106
QB96	23314994	TRANSISTOR, 2SA1576A106
QD81	23314993	TRANSISTOR, 2SC4081 Q
QD83	23314993	TRANSISTOR, 2SC4081 Q
QE01	23135010	IC, STR-G6653
QE01B	70391355	SCREW, 3X8MM
△ QE02	23904427	IC, PHOTO COUPLER, TLP621(GR-LF2
QE10	23000701	IC, NJM431L
QE22	23319941	IC, SI-3050C
QE22B	70391355	SCREW, 3X8MM
QE24	23000469	IC, PQ5EV3
QE24B	70391355	SCREW, 3X8MM
QE25	23114433	TRANSISTOR, 2SC1815-Y
QE26	23114433	TRANSISTOR, 2SC1815-Y
QE27	23114433	TRANSISTOR, 2SC1815-Y

Location No.	Parts No.	Description
QE30	23319871	IC, PQ12RF1
QE31	23904525	IC, AN7809
QE32	23114433	TRANSISTOR, 2SC1815-Y
QF71	23314994	TRANSISTOR, 2SA1576A106
QH001	23000380	IC, TC190C060AF-301(Z)
QH004	23319595	IC, TC74HC244AF
QH005	23905013	IC, TLC2932IPW
QH006	23906908	IC, MC33078D
QH120	23318897	IC, PCM56P-L,
QH121	23318897	IC, PCM56P-L,
QH140	23318897	IC, PCM56P-L,
QH141	23318897	IC, PCM56P-L,
QH160	23318897	IC, PCM56P-L,
QH161	23318897	IC, PCM56P-L,
QH170	23906909	IC, MC33079D
QH171	23906909	IC, MC33079D
QH172	23906909	IC, MC33079D
QH173	23906924	IC, CAT24WC16P
QH174	23906924	IC, CAT24WC16P
QH175	23906924	IC, CAT24WC16P
QH176	23318977	IC, MC14052BF
QR01	23000879	IC, OSD 28SDIP 512CHR, MB90096P-G-22
QR03	23314994	TRANSISTOR, 2SA1576A106
QR35	23314993	TRANSISTOR, 2SC4081 Q
QR36	23314993	TRANSISTOR, 2SC4081 Q
QR38	23314993	TRANSISTOR, 2SC4081 Q
QR40	23314993	TRANSISTOR, 2SC4081 Q
QS01	70114396	TRANSISTOR, 2SC3326B
QS02	70114396	TRANSISTOR, 2SC3326B
QS03	23314993	TRANSISTOR, 2SC4081 Q
QS04	23314993	TRANSISTOR, 2SC4081 Q
QS05	70114396	TRANSISTOR, 2SC3326B
QS06	70114396	TRANSISTOR, 2SC3326B
QS07	70114396	TRANSISTOR, 2SC3326B
QS08	70114396	TRANSISTOR, 2SC3326B
QS09	23114493	TRANSISTOR, RN2404
QS10	23114493	TRANSISTOR, RN2404
QS11	23114493	TRANSISTOR, RN2404
QS12	23314994	TRANSISTOR, 2SA1576A106
QT01	23009169	IC, 8BIT TV/TEXT MCU 128K, SAA5665/0606
QT02	23314993	TRANSISTOR, 2SC4081 Q
QT03	70114402	TRANSISTOR, 2SC3437-Y
QT05	23314993	TRANSISTOR, 2SC4081 Q
QT06	23000283	IC, R1121N
QT08	23314993	TRANSISTOR, 2SC4081 Q
QT09	23009124	IC, M5M5V108DVP-7
QT10	23314993	TRANSISTOR, 2SC4081 Q
QT11	23009114	IC, BD4746G
QT12	23314994	TRANSISTOR, 2SA1576A106
QT13	23314994	TRANSISTOR, 2SA1576A106
QT14	23314994	TRANSISTOR, 2SA1576A106
QT15	23314994	TRANSISTOR, 2SA1576A106
QV01	23906887	IC, AV-SW IC QFP64PIN, CXA2069Q
QV02	23314993	TRANSISTOR, 2SC4081 Q
QV03	23314993	TRANSISTOR, 2SC4081 Q
QV04	23314993	TRANSISTOR, 2SC4081 Q
QV06	23314994	TRANSISTOR, 2SA1576A106
QV09	23114433	TRANSISTOR, 2SC1815-Y
QV12	23114433	TRANSISTOR, 2SC1815-Y
QV14	23114433	TRANSISTOR, 2SC1815-Y
QX01	23906921	IC, NR+FRAME DOUBLE SCAN, TC90A61F
QX03	23905013	IC, TLC2932IPW
QX04	23906951	IC, SN74AHCT1G32DCK
QX05	23906951	IC, SN74AHCT1G32DCK
QX07	23905939	IC, TLC2933IPW
QX08	23906951	IC, SN74AHCT1G32DCK
QX09	23906951	IC, SN74AHCT1G32DCK

Location No.	Parts No.	Description
QX11	23906318	IC, ADS932E
QX12	23906318	IC, ADS932E
QX15	23314345	TRANSISTOR, IMZ1
QX16	23314345	TRANSISTOR, IMZ1
QX17	23314345	TRANSISTOR, IMZ1
QX18	23314345	TRANSISTOR, IMZ1
QX19	23314163	TRANSISTOR, 2SA1162-Y
QX20	23904676	IC, TC7S66F
QX22	23314345	TRANSISTOR, IMZ1
QX24	23314345	TRANSISTOR, IMZ1
QX25	23000197	IC, SN74AHC2G53HDCT
QX26	23314163	TRANSISTOR, 2SA1162-Y
QX27	23904676	IC, TC7S66F
QX29	23314345	TRANSISTOR, IMZ1
QX31	23314345	TRANSISTOR, IMZ1
QX33	23314163	TRANSISTOR, 2SA1162-Y
QX34	23904676	IC, TC7S66F
QX35	23314345	TRANSISTOR, IMZ1
QX37	23314475	TRANSISTOR, 2SC2712-Y
QX38	23314475	TRANSISTOR, 2SC2712-Y
QX39	23314475	TRANSISTOR, 2SC2712-Y
QX41	23314475	TRANSISTOR, 2SC2712-Y
QX42	23314475	TRANSISTOR, 2SC2712-Y
QX44	23314475	TRANSISTOR, 2SC2712-Y
QX45	23314475	TRANSISTOR, 2SC2712-Y
QX47	23314475	TRANSISTOR, 2SC2712-Y
QX48	23314475	TRANSISTOR, 2SC2712-Y
QX49	23000095	IC, SN74AHC2G241HDCT
QX50	70129666	IC, TC74HCT541AF
QX51	23906770	IC, BA033FP
QX52	23905927	IC, TC7SH32FU(BRA
QX53	23905927	IC, TC7SH32FU(BRA
QX54	23114502	TRANSISTOR, RN1401
QX55	23318026	IC, TA78L05F
QX56	23314163	TRANSISTOR, 2SA1162-Y
QX57	23114502	TRANSISTOR, RN1401
QX58	23114502	TRANSISTOR, RN1401
QX61	23000965	IC, HY57V161610DTC-8
QX62	23000965	IC, HY57V161610DTC-8
QX63	23314344	TRANSISTOR, IMX1
QZ01	23000796	IC, TC90A69F(ELP)
QZ02	23314993	TRANSISTOR, 2SC4081 Q
QZ04	23314994	TRANSISTOR, 2SA1576A106
QZ05	23314994	TRANSISTOR, 2SA1576A106
QZ07	23314994	TRANSISTOR, 2SA1576A106
QZ08	23314993	TRANSISTOR, 2SC4081 Q
D101	23316755	DIODE, ZENER, MTZJ33C
D267	23118040	DIODE, 1SS302
D271	23118040	DIODE, 1SS302
D272	23118040	DIODE, 1SS302
D273	23118040	DIODE, 1SS302
D301	23357165	DIODE, ZENER, UDZS7.5B
D302	23118094	DIODE, EU2A
D303	23118041	DIODE, MA111
D304	23316794	DIODE, SC570A
D305	23118822	DIODE, ERB12-02
D306	23118822	DIODE, ERB12-02
D308	23118041	DIODE, MA111
D370	23118041	DIODE, MA111
D401	23118094	DIODE, EU2A
D402	23118094	DIODE, EU2A
D404	23316254	DIODE, ERC06-15
D406	23115910	DIODE, S5295G
D411	23118275	DIODE, ZENER, RD18MB2
D412	23118707	DIODE, RP-1H
D413	23118707	DIODE, RP-1H
D414	23118094	DIODE, EU2A

Location No.	Parts No.	Description
D415	23118094	DIODE, EU2A
D420	23115599	DIODE, 1N4148
D421	23118094	DIODE, EU2A
D425	23118094	DIODE, EU2A
D426	23118275	DIODE, ZENER, RD18MB2
D461	23224366	DIODE, FMQ-3GU
D475	23115774	DIODE, ZENER, RD6.2E(FA-1)
D502	23118041	DIODE, MA111
D504	23357205	DIODE, ZENNER 1.3W DO-41, BZV85C36
D505	23115599	DIODE, 1N4148
D505	23316726	DIODE, ZENER, MTZJ15C
D506	23316726	DIODE, ZENER, MTZJ15C
D506	23316673	DIODE, ZENER, MTZJ5.6C
D507	23316732	DIODE, ZENER, MTZJ18C
D508	23316685	DIODE, ZENER, MTZJ8.2C
D509	23357359	DIODE, 1A 600V BRIDGE DIP, S1NB60 DIP
D510	23316685	DIODE, ZENER, MTZJ8.2C
D511	23316685	DIODE, ZENER, MTZJ8.2C
D511	23357037	DIODE, ZENER, UDZS5.6B
D512	24000316	VARISTOR, TNR7G271K
D513	23118642	DIODE, ZENER, RD2.0ES B1
D514	23118642	DIODE, ZENER, RD2.0ES B1
D514	23357037	DIODE, ZENER, UDZS5.6B
D515	23118859	DIODE, 1SS133
D515	23357037	DIODE, ZENER, UDZS5.6B
D520	23316647	DIODE, ZENER, MTZJ2.0B
D601	23118040	DIODE, 1SS302
D601	23118041	DIODE, MA111
D602	23118040	DIODE, 1SS302
D602	23118041	DIODE, MA111
D603	23118041	DIODE, MA111
D604	23118041	DIODE, MA111
D605	23118041	DIODE, MA111
D606	23118041	DIODE, MA111
D607	23118041	DIODE, MA111
D608	23118041	DIODE, MA111
D609	23118041	DIODE, MA111
D610	23118041	DIODE, MA111
D611	23118041	DIODE, MA111
D612	23118041	DIODE, MA111
D613	23118041	DIODE, MA111
D614	23118041	DIODE, MA111
D615	23118041	DIODE, MA111
D616	23118041	DIODE, MA111
D617	23118041	DIODE, MA111
D618	23118041	DIODE, MA111
D619	23118041	DIODE, MA111
D620	23118041	DIODE, MA111
D621	23118041	DIODE, MA111
D622	23118041	DIODE, MA111
D623	23118041	DIODE, MA111
D624	23118041	DIODE, MA111
D625	23118041	DIODE, MA111
D626	23118041	DIODE, MA111
D627	23118041	DIODE, MA111
D628	23118269	DIODE, ZENER, RD22MB2
D704	23115599	DIODE, 1N4148
D704	23118041	DIODE, MA111
D705	23115599	DIODE, 1N4148
D705	23118041	DIODE, MA111
D714	23118041	DIODE, MA111
D715	23115599	DIODE, 1N4148
D715	23118041	DIODE, MA111
D721	23115599	DIODE, 1N4148
D724	23118041	DIODE, MA111
D725	23118041	DIODE, MA111
D734	23118041	DIODE, MA111

Location No.	Parts No.	Description
D735	23118041	DIODE, MA111
D744	23118041	DIODE, MA111
D745	23118041	DIODE, MA111
D754	23118041	DIODE, MA111
D755	23118041	DIODE, MA111
D760	23118041	DIODE, MA111
D761	23115599	DIODE, 1N4148
D761	23118350	DIODE, ZENER, RD4.7MB1
D762	23115599	DIODE, 1N4148
D762	23357168	DIODE, ZENER, UDZS6.2B
D763	23115599	DIODE, 1N4148
D763	23118041	DIODE, MA111
D764	23115599	DIODE, 1N4148
D764	23115599	DIODE, 1N4148
D781	23115599	DIODE, 1N4148
D782	23115599	DIODE, 1N4148
D783	23115599	DIODE, 1N4148
D784	23115599	DIODE, 1N4148
D798	23115599	DIODE, 1N4148
D799	23115599	DIODE, 1N4148
D801	23357041	DIODE, LN6SB60-F05
D801B	72471082	SCREW, 3X10MM
D815	23316753	DIODE, ZENER, MTZJ33A
D816	23115599	DIODE, 1N4148
D817	23115599	DIODE, 1N4148
D818	23115599	DIODE, 1N4148
D819	23316653	DIODE, ZENER, MTZJ2.7B
D820	23316184	DIODE, FML-G12S
D820B	70391355	SCREW, 3X8MM
D821	23316390	DIODE, D3SB60(4101)
D822	23316381	DIODE, RU1P
D824	23118479	DIODE, BYD33J
D825	23115599	DIODE, 1N4148
D826	23115599	DIODE, 1N4148
D827	23115599	DIODE, 1N4148
D828	23316749	DIODE, ZENER, MTZJ30A
D829	23118188	DIODE, ZENER, 1Z6.2
D830	23115910	DIODE, S5295G
D832	23115532	DIODE, ERB12-01
D841	23115599	DIODE, 1N4148
D845	23115599	DIODE, 1N4148
D848	23316689	DIODE, ZENER, MTZJ10A
D850	23357215	DIODE, D4SBS6
D850B	70391355	SCREW, 3X8MM
D851	23316399	DIODE, EL1Z
D852	23316399	DIODE, EL1Z
D853	23316399	DIODE, EL1Z
D854	23316399	DIODE, EL1Z
D855	23316399	DIODE, EL1Z
D862	23118057	DIODE, AG01A
D864	23118060	DIODE, AL01Z
D873	23316747	DIODE, ZENER, MTZJ27C
D875	23316688	DIODE, ZENER, MTZJ9.1C
D876	23316759	DIODE, ZENER, MTZ J 36C
D877	23316747	DIODE, ZENER, MTZJ27C
D878	23316686	DIODE, ZENER, MTZJ9.1A
D881	23115599	DIODE, 1N4148
D884	23357217	DIODE, D4SBL40
D884B	70391355	SCREW, 3X8MM
D885	23357216	DIODE, D4SBL20U
D891	23357214	DIODE, D4SBS4
D892	23316768	DIODE, FMB-26L
D892B	70391355	SCREW, 3X8MM
D893	23115599	DIODE, 1N4148
D894	23115599	DIODE, 1N4148
D901	70115202	DIODE, 1SS187
D901	23115599	DIODE, 1N4148

Location No.	Parts No.	Description
D902	23115599	DIODE, 1N4148
D911	23115599	DIODE, 1N4148
D912	23115599	DIODE, 1N4148
D921	23115599	DIODE, 1N4148
D922	23115599	DIODE, 1N4148
D924	23115599	DIODE, 1N4148
D925	23115599	DIODE, 1N4148
D931	23115599	DIODE, 1N4148
D932	23115599	DIODE, 1N4148
D933	23115599	DIODE, 1N4148
D934	23115599	DIODE, 1N4148
D936	23115337	DIODE, 1S1834
D941	23115599	DIODE, 1N4148
D942	23115599	DIODE, 1N4148
D943	23115599	DIODE, 1N4148
D945	23115337	DIODE, 1S1834
D946	23115599	DIODE, 1N4148
D963	23115599	DIODE, 1N4148
D964	23115599	DIODE, 1N4148
D965	23115599	DIODE, 1N4148
D966	23115599	DIODE, 1N4148
D967	23115337	DIODE, 1S1834
D3402	23118041	DIODE, MA111
D4451	23115532	DIODE, ERB12-01
D4452	23357170	DIODE, ZENER, UDZS8.2B
D4453	23118041	DIODE, MA111
D4460	23118041	DIODE, MA111
D7703	23118041	DIODE, MA111
D7705	23118041	DIODE, MA111
D7706	23118041	DIODE, MA111
D7707	23118041	DIODE, MA111
D7708	23118041	DIODE, MA111
D7710	23115599	DIODE, 1N4148
D7711	23316675	DIODE, ZENER, MTZJ6.2B
D7725	23118041	DIODE, MA111
D7732	23316766	DIODE, RU2YX
D7733	23118275	DIODE, ZENER, RD18MB2
D7734	23118275	DIODE, ZENER, RD18MB2
D7735	23316766	DIODE, RU2YX
D7736	23118041	DIODE, MA111
DA01	70115202	DIODE, 1SS187
DA02	70115202	DIODE, 1SS187
DA02	23118041	DIODE, MA111
DA03	23118040	DIODE, 1SS302
DA03	23118041	DIODE, MA111
DA04	23118040	DIODE, 1SS302
DA05	23118040	DIODE, 1SS302
DA06	23118040	DIODE, 1SS302
DA42	23316673	DIODE, ZENER, MTZJ5.6C
DB01	23118040	DIODE, 1SS302
DB01	23358564	DIODE, LED, SLR-56VC3FPQ
DB02	23358563	LED, LAMP GREEN, SLR-56MC3FPQR
DB03	23358563	LED, LAMP GREEN, SLR-56MC3FPQR
DB04	23358562	LED, LAMP ORANGE, SLR-56DC3FPQ
DD81	23118310	DIODE, ZENER, RD5.6MB2
DE01	23316711	DIODE, S1WBA60
DE02	23316269	DIODE, AK04
DE03	23118060	DIODE, AL01Z
DE04	23115599	DIODE, 1N4148
DE05	23316381	DIODE, RU1P
DE06	23115599	DIODE, 1N4148
DE07	23316746	DIODE, ZENER, MTZJ27B
DE08	23115599	DIODE, 1N4148
DE09	23316672	DIODE, ZENER, MTZJ5.6B
DE12	23316768	DIODE, FMB-26L
DE12B	72471082	SCREW, 3X10MM
DE13	23316768	DIODE, FMB-26L

Location No.	Parts No.	Description
DE13B	72471082	SCREW, 3X10MM
DE14	23316399	DIODE, EL1Z
DE21	23118057	DIODE, AG01A
DE22	23316728	DIODE, ZENER, MTZJ16B
DE23	23316728	DIODE, ZENER, MTZJ16B
DH001	23316675	DIODE, ZENER, MTZJ6.2B
DH002	23316675	DIODE, ZENER, MTZJ6.2B
DH003	23316675	DIODE, ZENER, MTZJ6.2B
DR01	23118041	DIODE, MA111
DR02	23118041	DIODE, MA111
DR03	23118041	DIODE, MA111
DR12	23357172	DIODE, ZENER, UDZS10B
DR13	23357172	DIODE, ZENER, UDZS10B
DR14	23357172	DIODE, ZENER, UDZS10B
DR61	23118041	DIODE, MA111
DR62	23118041	DIODE, MA111
DR63	23118041	DIODE, MA111
DR70	23357037	DIODE, ZENER, UDZS5.6B
DS05	23118041	DIODE, MA111
DS06	23118041	DIODE, MA111
DS08	23118041	DIODE, MA111
DS10	23118041	DIODE, MA111
DS11	23118041	DIODE, MA111
DV02	23357172	DIODE, ZENER, UDZS10B
DV09	23357172	DIODE, ZENER, UDZS10B
DV14	23357168	DIODE, ZENER, UDZS6.2B
MISCELLANEOUS		
B224	23035412	SCREW, BTB4X12SZN
B230	23037312	SCREW, BTBW3X12SZN
B231	23845856	WIRE CLAMP, POF COAT) L=70MM
B232	23035412	SCREW, BTB4X12SZN
B233	23035412	SCREW, BTB4X12SZN
B234	23037312	SCREW, BTBW3X12SZN
B235	23037312	SCREW, BTBW3X12SZN
B236	23037312	SCREW, BTBW3X12SZN
B237	23037312	SCREW, BTBW3X12SZN
B238	23037312	SCREW, BTBW3X12SZN
B240	23035412	SCREW, BTB4X12SZN
B241	23035412	SCREW, BTB4X12SZN
B256	23035412	SCREW, BTB4X12SZN
BB20A	23903022	CONNECTOR, BASE B-B 8P 2.5 JST
BB20B	23903022	CONNECTOR, BASE B-B 8P 2.5 JST
BB20C	23368627	CONNECTOR, BRIDGE B-B 8P 2.5JST 08TM-2.5FJ-E
BB21A	23713013	BASE SOCKET 16P 1.5
BB21B	23713014	CONNECTOR, BRIDGE PLUG 16P 1.5
BB23A	23902749	CONNECTOR, SOCKET, B-B 6P
BB23B	23368517	CONNECTOR, PLUG, B-B 6P
BB24A	23713013	BASE SOCKET 16P 1.5
BB24B	23713014	CONNECTOR, BRIDGE PLUG 16P 1.5
BB80A	23713013	BASE SOCKET 16P 1.5
BB80B	23713014	CONNECTOR, BRIDGE PLUG 16P 1.5
BB82A	23713013	BASE SOCKET 16P 1.5
BB82B	23713014	CONNECTOR, BRIDGE PLUG 16P 1.5
BB85A	23903022	CONNECTOR, BASE B-B 8P 2.5 JST
BB85B	23903022	CONNECTOR, BASE B-B 8P 2.5 JST
BB85C	23368627	CONNECTOR, BRIDGE B-B 8P 2.5JST 08TM-2.5FJ-E
BB86A	23368517	CONNECTOR, PLUG, B-B 6P
BB86B	23902749	CONNECTOR, SOCKET, B-B 6P
E921	23964147	COOLANT, COOLANT
E951	23964147	COOLANT, COOLANT
E981	23964147	COOLANT, COOLANT
△ F801	23144507	FUSE, CARTRIDGE 5.2X20 250V 3.15A
F801A	23165433	FUSE HOLDER, 5.2 SOC
F801B	23165433	FUSE HOLDER, 5.2 SOC

Location No.	Parts No.	Description
G103	23103828	INDUCTOR, BEAD, TEM2121M
G601	24000445	CHIP JUMPER, 1608TYPE
G602	24000445	CHIP JUMPER, 1608TYPE
G603	24000445	CHIP JUMPER, 1608TYPE
G604	24000445	CHIP JUMPER, 1608TYPE
GC01	24000445	CHIP JUMPER, 1608TYPE
GC02	24000445	CHIP JUMPER, 1608TYPE
GC03	24000445	CHIP JUMPER, 1608TYPE
GC04	24000445	CHIP JUMPER, 1608TYPE
GC80	24000824	JUMPER CHIP, 2125TYPE
GC81	24000824	JUMPER CHIP, 2125TYPE
GC82	24000824	JUMPER CHIP, 2125TYPE
GC83	24000824	JUMPER CHIP, 2125TYPE
GC84	24000824	JUMPER CHIP, 2125TYPE
GC85	24000824	JUMPER CHIP, 2125TYPE
GD07	24000445	CHIP JUMPER, 1608TYPE
GJ02	24000445	CHIP JUMPER, 1608TYPE
GJ03	24000445	CHIP JUMPER, 1608TYPE
GJ03	24000824	JUMPER CHIP, 2125TYPE
GJ04	24000445	CHIP JUMPER, 1608TYPE
GJ05	24000824	JUMPER CHIP, 2125TYPE
GJ06	24000445	CHIP JUMPER, 1608TYPE
GJ07	24000824	JUMPER CHIP, 2125TYPE
GJ08	24000824	JUMPER CHIP, 2125TYPE
GJ09	24000824	JUMPER CHIP, 2125TYPE
GJ10	24000576	JUMPER CHIP, 3216TYPE
GJ11	24000576	JUMPER CHIP, 3216TYPE
GJ12	24000445	CHIP JUMPER, 1608TYPE
GJ14	24000445	CHIP JUMPER, 1608TYPE
GJ15	24000445	CHIP JUMPER, 1608TYPE
GJ30	24000445	CHIP JUMPER, 1608TYPE
GJ31	24000445	CHIP JUMPER, 1608TYPE
GJ33	24000445	CHIP JUMPER, 1608TYPE
GJ44	24000445	CHIP JUMPER, 1608TYPE
GJ46	24000445	CHIP JUMPER, 1608TYPE
GJ48	24000445	CHIP JUMPER, 1608TYPE
GJ49	24000445	CHIP JUMPER, 1608TYPE
GJ50	24000445	CHIP JUMPER, 1608TYPE
GJ51	24000445	CHIP JUMPER, 1608TYPE
GJ56	24000445	CHIP JUMPER, 1608TYPE
GJ62	24000445	CHIP JUMPER, 1608TYPE
GJ63	24000445	CHIP JUMPER, 1608TYPE
GJ768	24000445	CHIP JUMPER, 1608TYPE
GJ769	24000445	CHIP JUMPER, 1608TYPE
GJ770	24000445	CHIP JUMPER, 1608TYPE
GJ771	24000445	CHIP JUMPER, 1608TYPE
GJ775	24000445	CHIP JUMPER, 1608TYPE
GJ776	24000445	CHIP JUMPER, 1608TYPE
GJ777	24000445	CHIP JUMPER, 1608TYPE
GJ778	24000445	CHIP JUMPER, 1608TYPE
GL01	23103859	COIL, CHOKE, TEM2011
GL02	23103859	COIL, CHOKE, TEM2011
GT03	24011472	CHIP, METAL FILM, 1/20W 4.7K OHM J
GT04	24011472	CHIP, METAL FILM, 1/20W 4.7K OHM J
GT05	24011472	CHIP, METAL FILM, 1/20W 4.7K OHM J
GT07	24000445	CHIP JUMPER, 1608TYPE
GT09	24011103	CHIP, METAL FILM, 1/20W 10K OHM J
GV03	24011101	CHIP, METAL FILM, 1/20W 100 OHM J
GV04	24011101	CHIP, METAL FILM, 1/20W 100 OHM J
GV05	24011101	CHIP, METAL FILM, 1/20W 100 OHM J
GV06	24011391	CHIP, METAL FILM, 1/20W 390 OHM J
GV35	24011101	CHIP, METAL FILM, 1/20W 100 OHM J
GV42	24011101	CHIP, METAL FILM, 1/20W 100 OHM J
H002	23148732	MODULE, NICAM/IGR A-PRO AC3, MPSA11A
H002A	23960136	ADHESIVE, SILICONE, TSE3843-W
H004	23124052	ANTENNA DIVIDER, 3D1CH A&E NAT DAE211B

Location No.	Parts No.	Description
JR01	24000445	CHIP JUMPER, 1608TYPE
KB01	23000852	IC, REMOCON RECEIVER, PIC-37043TE2
MD02A	23103839	FERRITE CORE, TFE1012
P004	23161702	PUSH TERMINAL, 8P
P501	23365981	MODULAR JACK 6-2P HOS
P661	23365444	JACK, EARPHONE, D3.5 HOSIDEN
P708	23902655	CONNECTOR, 15P
P709	23902655	CONNECTOR, 15P
P713	23164787	CONNECTOR, PLUG, 7P
P714	23164787	CONNECTOR, PLUG, 7P
P715	23164787	CONNECTOR, PLUG, 7P
P800	23368013	CONNECTOR, PLUG, 2P 11.88MM W VT-JST
△ P801	23372012	POWER CORD, POWER CORD
PA02	23713004	9P D-SUB JST-JHE
PA05	23365994	10P 2.54MM PLUG
PD04	23364092	PIN JACK, SW ORANGE PIN JACK
PD05	23906206	IC, TORX176
PF01	23902655	CONNECTOR, 15P
PH001	23367724	CONNECTOR, PLUG, B-B 15P
PH002	23367724	CONNECTOR, PLUG, B-B 15P
PH02	23365598	21 PIN CONNECTOR 2100RFT 21 PIN CONNECTOR
PT01	23367724	CONNECTOR, PLUG, B-B 15P
PX01A	23902655	CONNECTOR, 15P
PX01B	23367724	CONNECTOR, PLUG, B-B 15P
PX02A	23902781	CONNECTOR, SOCKET, B-B 12P 2.5MM JST
PX02B	23368531	CON PLUG B-B 12P2.5MM JST, CONNECTOR12P
S601	23344367	SWITCH, SLIDE
△ S801	23145434	SWITCH, POWER 2C2P
SA01	23145226	SWITCH, 1C1P, PUSH
SA02	23145226	SWITCH, 1C1P, PUSH
SA03	23145226	SWITCH, 1C1P, PUSH
SA04	23145226	SWITCH, 1C1P, PUSH
SA06	23145226	SWITCH, 1C1P, PUSH
SA07	23145226	SWITCH, 1C1P, PUSH
SA08	23145226	SWITCH, 1C1P, PUSH
△ SR81	23146574	RELAY, DLS5D1-O(M) 0.15W
V901A	23903148	SOCKET, ISH-44S-E ICE #5
V902A	23903148	SOCKET, ISH-44S-E ICE #5
V903A	23903148	SOCKET, ISH-44S-E ICE #5
W661	23351167	SPEAKER, SPK1390AE (42WT29B)
W661	23151232	SPEAKER, SPK-1235, 160X160, 65HZ, 8 OHM (50WT29B)
W662	23351167	SPEAKER, SPK1390AE (42WT29B)
W662	23151232	SPEAKER, SPK-1235, 160X160, 65HZ, 8 OHM (50WT29B)
X500	23153461	CRYSTAL, 11.0592 50PPM 50OHM CRYSTAL
X501	23153438	CRYSTAL, 16.200 25PPM 25OHM
X701	23153547	CRYSTAL RESONATOR, 20.48 40PPM CRYSTAL
XA01	23153549	CRYSTAL RESONATOR, 27.00 20PPM CRYSTAL 27M 1
X4402	23153721	CERAMIC RESONATOR, 503KHZ
XA03	23153394	CRYSTAL, 16.000000MHZ AT-51
XB01	23153752	CRYSTAL, 8.000 40PPM 50OHM
XT01	23153930	CRYSTAL, 12.000 25PPM 40OHM 7PF
Z410	23110841	FOCUS PACK, TPA6030
Z410A	23505177	CABLE, FOCUS
△ Z450	24083013	COMPOSITE PARTS, CR-BLOCK, TPA5010AH
△ Z450A	23501755	ANODE CABLE, 400LD FBT-C
Z501	24019436	CHIP BLOCK, 1/16W P-8 22 OHM J
Z502	24019443	JUMPER CHIP, BLOCK P-8 P-8 000
Z503	24019443	JUMPER CHIP, BLOCK P-8 P-8 000
Z801	23148734	MODULE, PROTECTOR, HIC1026A
Z821	23144605	PROTECTOR, PRT SERIES, DC60V/AC90V 2000MA

Location No.	Parts No.	Description
Z822	23144609	PROTECTOR, PRT SERIES, DC60V/AC90V 5000MA
Z850	23144608	PROTECTOR, PRT SERIES, DC60V/AC90V 4000MA
Z851	23144608	PROTECTOR, PRT SERIES, DC60V/AC90V 4000MA
Z852	23144605	PROTECTOR, PRT SERIES, DC60V/AC90V 2000MA
Z853	23144604	PROTECTOR, PRT SERIES DC60V/AC90V 1
Z854	23144604	PROTECTOR, PRT SERIES DC60V/AC90V 1
Z860	23144542	PROTECTOR, 491SERIES 125V 4A
Z885	23144605	PROTECTOR, PRT SERIES, DC60V/AC90V 2000MA
Z889	23144608	PROTECTOR, PRT SERIES, DC60V/AC90V 4000MA
Z890	23144607	PROTECTOR, PRT SERIES, DC60V/AC90V 3150MA
Z891	23144609	PROTECTOR, PRT SERIES, DC60V/AC90V 5000MA
Z902	24019434	CHIP BLOCK, 1/16W 10 OHM J P-8
Z903	24019434	CHIP BLOCK, 1/16W 10 OHM J P-8
Z904	24019434	CHIP BLOCK, 1/16W 10 OHM J P-8
Z905	24019439	CHIP BLOCK, 1/16W P-8 47 OHM J
Z906	24019439	CHIP BLOCK, 1/16W P-8 47 OHM J
Z907	24019439	CHIP BLOCK, 1/16W P-8 47 OHM J
Z908	24019434	CHIP BLOCK, 1/16W 10 OHM J P-8
Z909	24019434	CHIP BLOCK, 1/16W 10 OHM J P-8
Z910	24019434	CHIP BLOCK, 1/16W 10 OHM J P-8
Z911	24019434	CHIP BLOCK, 1/16W 10 OHM J P-8
Z912	24019434	CHIP BLOCK, 1/16W 10 OHM J P-8
Z913	24019434	CHIP BLOCK, 1/16W 10 OHM J P-8
Z914	24019434	CHIP BLOCK, 1/16W 10 OHM J P-8
Z915	24019434	CHIP BLOCK, 1/16W 10 OHM J P-8
Z916	24019434	CHIP BLOCK, 1/16W 10 OHM J P-8
ZA01	24019436	CHIP BLOCK, 1/16W P-8 22 OHM J
ZA02	24019436	CHIP BLOCK, 1/16W P-8 22 OHM J
ZA03	24019436	CHIP BLOCK, 1/16W P-8 22 OHM J
ZA04	24019436	CHIP BLOCK, 1/16W P-8 22 OHM J
ZA05	24019436	CHIP BLOCK, 1/16W P-8 22 OHM J
ZA06	24019436	CHIP BLOCK, 1/16W P-8 22 OHM J
ZA07	24019436	CHIP BLOCK, 1/16W P-8 22 OHM J
ZA08	24019436	CHIP BLOCK, 1/16W P-8 22 OHM J
ZA09	24019436	CHIP BLOCK, 1/16W P-8 22 OHM J
ZA10	24019436	CHIP BLOCK, 1/16W P-8 22 OHM J
ZA11	24019436	CHIP BLOCK, 1/16W P-8 22 OHM J
ZA12	24019436	CHIP BLOCK, 1/16W P-8 22 OHM J
ZA13	24019436	CHIP BLOCK, 1/16W P-8 22 OHM J
ZA15	24019436	CHIP BLOCK, 1/16W P-8 22 OHM J
ZA16	24019436	CHIP BLOCK, 1/16W P-8 22 OHM J
ZA17	24019436	CHIP BLOCK, 1/16W P-8 22 OHM J
ZA18	24019436	CHIP BLOCK, 1/16W P-8 22 OHM J
ZA19	24019436	CHIP BLOCK, 1/16W P-8 22 OHM J
ZA20	24019436	CHIP BLOCK, 1/16W P-8 22 OHM J
ZA21	24019436	CHIP BLOCK, 1/16W P-8 22 OHM J
ZA22	24019436	CHIP BLOCK, 1/16W P-8 22 OHM J
ZA23	24019436	CHIP BLOCK, 1/16W P-8 22 OHM J
ZA24	24019436	CHIP BLOCK, 1/16W P-8 22 OHM J
ZA25	24019436	CHIP BLOCK, 1/16W P-8 22 OHM J
ZA26	24019436	CHIP BLOCK, 1/16W P-8 22 OHM J
ZA27	24019436	CHIP BLOCK, 1/16W P-8 22 OHM J
ZA28	24019434	CHIP BLOCK, 1/16W 10 OHM J P-8
ZA29	24019434	CHIP BLOCK, 1/16W 10 OHM J P-8
ZA32	24019434	CHIP BLOCK, 1/16W 10 OHM J P-8
ZA33	24019434	CHIP BLOCK, 1/16W 10 OHM J P-8
ZA34	24019434	CHIP BLOCK, 1/16W 10 OHM J P-8
ZA35	24019434	CHIP BLOCK, 1/16W 10 OHM J P-8
ZA44	24019434	CHIP BLOCK, 1/16W 10 OHM J P-8

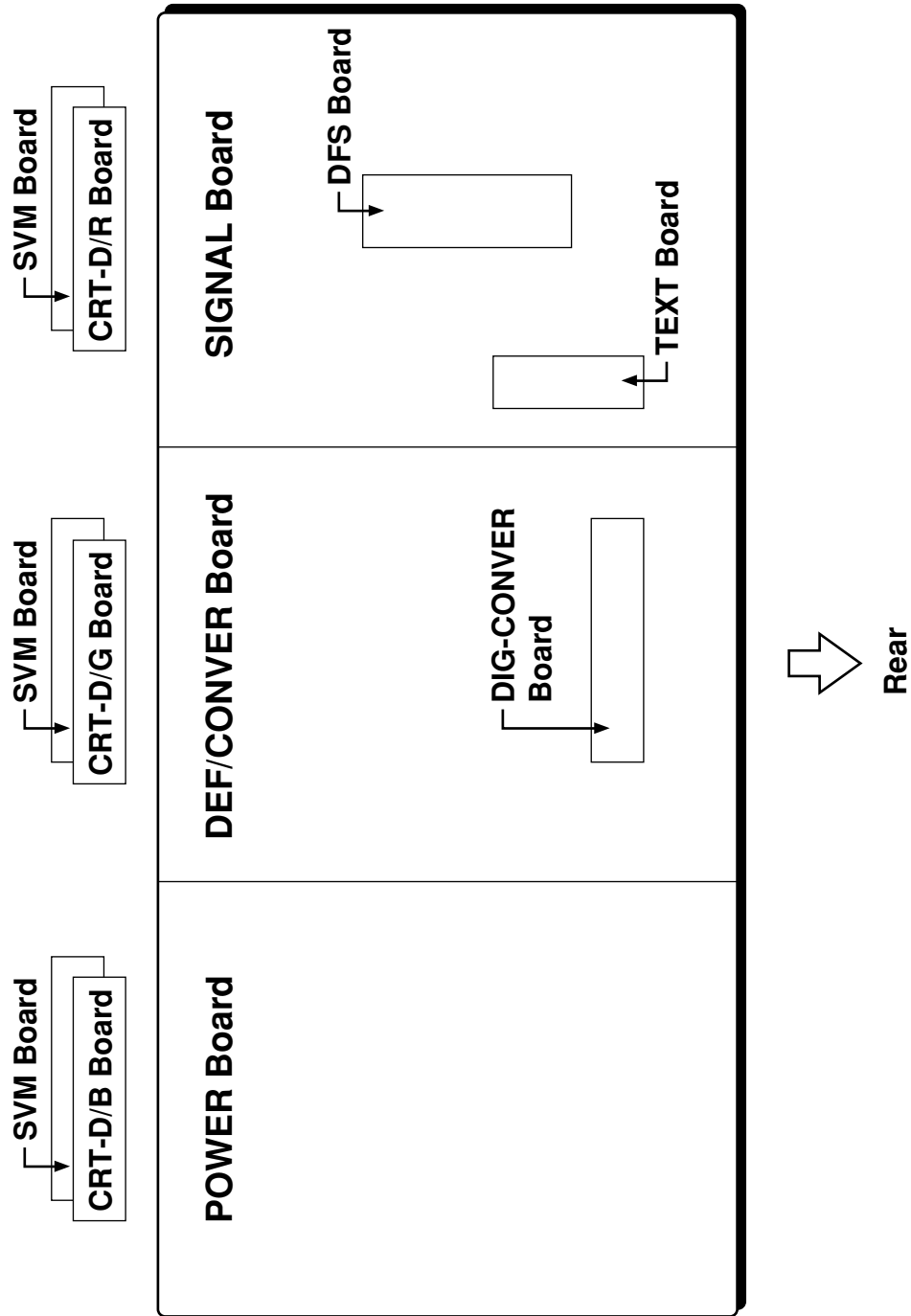
Location No.	Parts No.	Description
ZA45	24019404	CHIP BLOCK, 1/16W P-8 10K OHM J
ZA46	24019404	CHIP BLOCK, 1/16W P-8 10K OHM J
ZA47	24019404	CHIP BLOCK, 1/16W P-8 10K OHM J
ZA48	24019404	CHIP BLOCK, 1/16W P-8 10K OHM J
ZB03	24019404	CHIP BLOCK, 1/16W P-8 10K OHM J
ZC01A	23103839	FERRITE CORE, TFE1012
ZC02A	23103839	FERRITE CORE, TFE1012
ZC25	23303229	EMI FILTER, CHIP EMI FILTER 3, TEM1052AD
ZC26	23303229	EMI FILTER, CHIP EMI FILTER 3, TEM1052AD
ZC27	23303229	EMI FILTER, CHIP EMI FILTER 3, TEM1052AD
ZC28	23303229	EMI FILTER, CHIP EMI FILTER 3, TEM1052AD
ZC29	23303229	EMI FILTER, CHIP EMI FILTER 3, TEM1052AD
ZC30	24019436	CHIP BLOCK, 1/16W P-8 22 OHM J
ZC31	24019436	CHIP BLOCK, 1/16W P-8 22 OHM J
ZC32	24019436	CHIP BLOCK, 1/16W P-8 22 OHM J
ZC33	24019436	CHIP BLOCK, 1/16W P-8 22 OHM J
ZC34	24019436	CHIP BLOCK, 1/16W P-8 22 OHM J
ZC35	24019436	CHIP BLOCK, 1/16W P-8 22 OHM J
ZE01	23144450	PROTECTOR, PRF2000, 125V, 2.0A
ZE21	23144536	PROTECTOR, 491SERIES 125V 1A
ZE22	23144543	PROTECTOR, 491SERIES 125V 5A
ZE23	23144543	PROTECTOR, 491SERIES 125V 5A
ZE24	23144536	PROTECTOR, 491SERIES 125V 1A
ZH001	23103823	COIL, FILTER, TEM2027D
ZH002	23103823	COIL, FILTER, TEM2027D
ZH121	23103823	COIL, FILTER, TEM2027D
ZH122	23103823	COIL, FILTER, TEM2027D
ZH141	23103823	COIL, FILTER, TEM2027D
ZH142	23103823	COIL, FILTER, TEM2027D
ZH161	23103823	COIL, FILTER, TEM2027D
ZH162	23103823	COIL, FILTER, TEM2027D
ZX101	23103852	COIL, FILTER, TEM2028AH
ZX201	23103823	COIL, FILTER, TEM2027D
ZX202	23103823	COIL, FILTER, TEM2027D
ZX321	23103823	COIL, FILTER, TEM2027D
ZX341	23103823	COIL, FILTER, TEM2027D
ZX361	23103823	COIL, FILTER, TEM2027D
ZX401	23303181	EMI FILTER, TEM1012N
ZX402	23303181	EMI FILTER, TEM1012N
PC BOARD ASSEMBLIES		
* U101	23787496	SIGNAL BOARD, PD0128H (42WT29B)
* U101	23787615	SIGNAL BOARD, PD0128L (50WT29B)
* U102	23787659	DEF-CONVER BOARD, PD0129G (42WT29B)
* U102	23787660	DEF CONVER BOARD, PD0129H (50WT29B)
* U103	23787820	D-CONVER BOARD, PB9486K (42WT29B)
* U103	23786967	D-CONVER BOARD, PB9486H (50WT29B)
* U104	23786696	TEXT-P2 BOARD, PD0267
* U105	23785888	DFS BOARD, PB9954
* U106	23786440	EXT-SP BOARD, PD0206A
* U108	23787589	UK-DIGITAL BOARD, PD0677
* U901A	23786629	CRTD RED BOARD, PD0131B1
* U901B	23786630	CRTD GREEN BOARD, PD0131B2
* U901C	23786631	CRTD BLUE BOARD, PD0131B3
* U901D	23786632	SVM GREEN BOARD, PD0131B4
* U901E	23786633	SVM RED BOARD, PD0131B5
* U901F	23786634	SVM BLUE BOARD, PD0131B6
* U902	23786635	MAIN-POWER BOARD, PD0132C
* U903A	23786442	FRONT IN BOARD, PD0208A1
* U903B	23786443	RMT IN BOARD, PD0208A2
* U903C	23786444	KEY-IND BOARD, PD0208A3
* U904	23787530	IDTV-POWER BOARD, PD0204B
* U905	23786437	AC3-POWER BOARD, PD0203A
* U907	23786697	ANT.DIVIDER BOARD, PB9069B
PICTURE TUBE		
△ V911R	23588750	SERVICE KIT, PJTV CRT-R (42WT29B)

Location No.	Parts No.	Description
△ V911R	23588758	SERVICE KIT, PJTV CRT-R (50WT29B)
△ V912B	23588751	SERVICE KIT, PJTV CRT-G (42WT29B)
△ V912B	23588759	SERVICE KIT, PJTV CRT-G (50WT29B)
△ V913G	23588752	SERVICE KIT, PJTV CRT-B (42WT29B)
△ V913G	23588760	SERVICE KIT, PJTV CRT-B (50WT29B)
TUNER		
H001	23321403	TUNER, EURO IF ALPS DJ, TADF4-005A
H001	23321405	TUNER, UK_OFDM_TUNER 36.166MHZ, TDLB7-604A
ACCESSORIES		
K902	23306433	REMOCON HAND UNIT IR, DTVPAL CT-90079
Y101E	23565622	OWNER'S MANUAL, ENGLISH, 42WT29B
Y147	23368723	SCART LEAD
CABINET PARTS		
A001	23008798	OTHER BLOCK, WOOD CABINET 42WH18P (42WT29B)
A001	23013028	OTHER BLOCK, WOOD CBINET (50WT29B)
A125	23560038	LABEL, ATTENTION SERVICE 48PJ6DB
A201	23540760	COVER, BEZEL 42WT19B (42WT29B)
A201	23540885	COVER, BEZEL (50WT29B)
A202	23450539	PANEL, CONTROL PANEL 42WT29B
A213	23427990	DOOR, DOOR 42WT19B
A214	70368125	PUSH CATCH
A223	23929540	PIECE, BUTTON POWER 42WT19B
A225	23445538	BUTTON, CONTROL KEY 42WT19B
A258	23527191	GRILLE, SPEAKER GRILLE 42WT19B (42WT29B)
A258	23527202	GRILLE, SPEAKER GRILLE (50WT29B)
A420	23540761	COVER, MIRROR COVER 42WT19B (42WT29B)
A420	23992336	LABEL (50WT29B)
A421	23411197	CABINET, REAR PLATE (50WT29B)
A424	23411597	CABINET, BENTED BACK BOARD 42WT19B (42WT29B)
A424	23411624	CABINET, VENTED BACK BOARD (50WT29B)
A505	72471068	SCREW, 4X12
A508	23035412	SCREW, BTB4X12SZN (42WT29B)
A508	23710127	SCREW (50WT29B)
A529	23037312	SCREW, BTBW3X12SZN
A529	23037312	SCREW, BTBW3X12SZN
A543	72471068	SCREW, 4X12
A547	23035010	SCREW, PBI 4X16 (42WT29B)
A547	23035010	SCREW, PBI 4X16 (50WT29B)
A701	23064584	CARTON, CASE 42WT19B (42WT29B)
A701	23064642	CARTON, CASE (50WT29B)
A702	23946233	PACKING, TOP PACKING 42WT19B (42WT29B)
A702	23946270	PACKING, BOTOM PACKING (50WT29B)
A703	23946234	PACKING, TOP PACKING 42WT19B (42WT29B)
A703	23946271	PACKING, TOP PACKING (50WT29B)
A726	23974753	POLYPROPYLENE BAND, 3327DB
A727	23974753	POLYPROPYLENE BAND, 3327DB
K101	23405101	LENS, DELTA71-A/B (42WT29B)
K101	23405006	LENS, DELTA250A/B (50WT29B)
K102	23405101	LENS, DELTA71-A/B (42WT29B)
K102	23405006	LENS, DELTA250A/B (50WT29B)
K103	23405101	LENS, DELTA71-A/B (42WT29B)
K103	23405006	LENS, DELTA250A/B (50WT29B)
K501	23311897	SCREEN, 42KL LENTICULAR SHEET, SCREEN42KL-L (42WT29B)
K501	23311890	SCREEN, 50KLH LENTICULAR SHEET, SCREEN50KLHL (50WT29B)

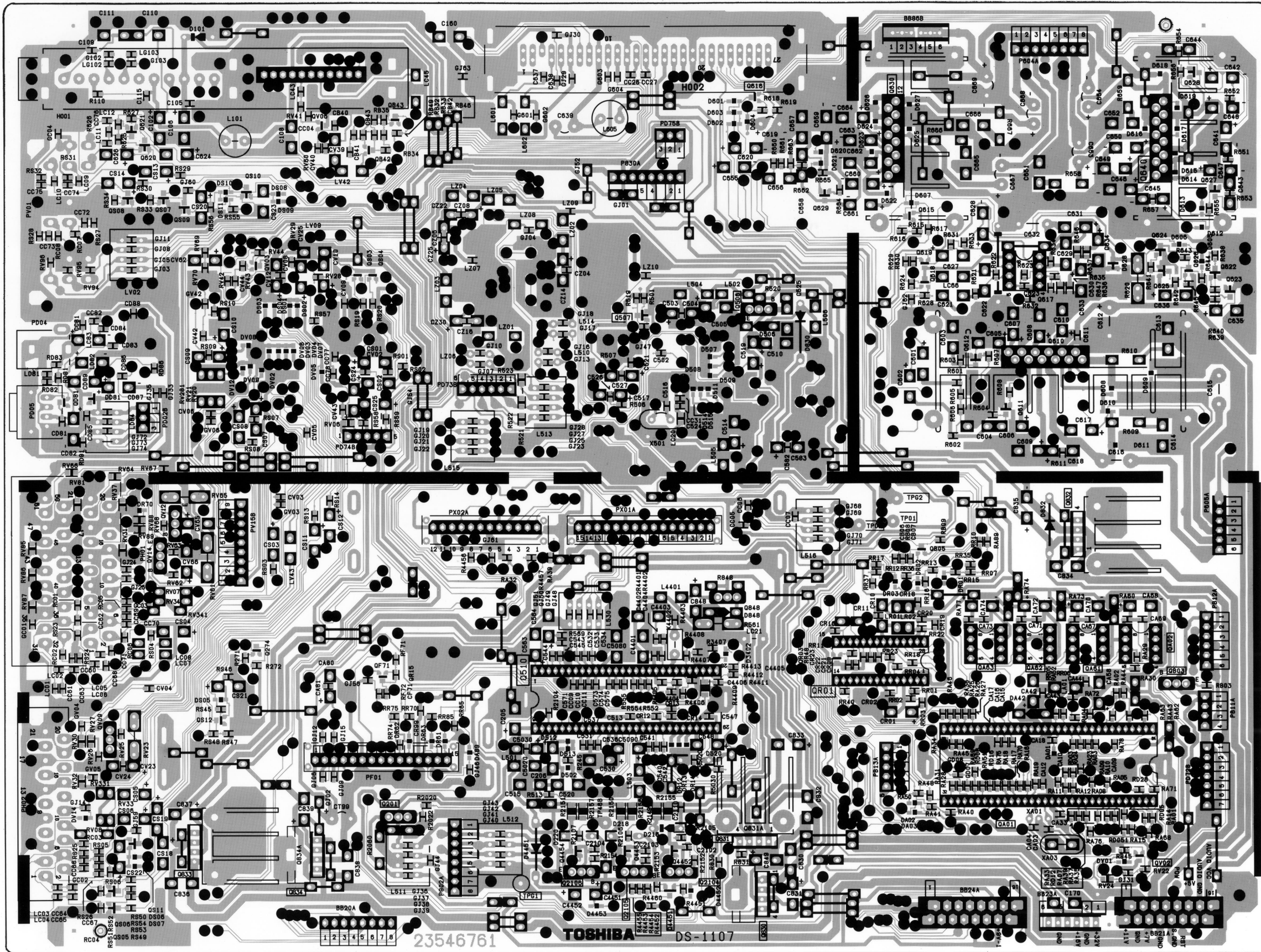
Location No.	Parts No.	Description
K502	23311921	SCREEN, 42KLU FRESNEL SHEET, SCREEN42KLUF (42WT29B)
K502	23311854	SCREEN, 50KL FRESNEL SHEET, SCREEN50KL-F (50WT29B)
K601	23405045	MIRROR, MIRROR 42W FIRST T3 42WT19B (42WT29B)
K601	23405061	MIRROR, MIRROR 50W FIRST T3 (50WT29B)

Location No.	Parts No.	Description
--------------	-----------	-------------

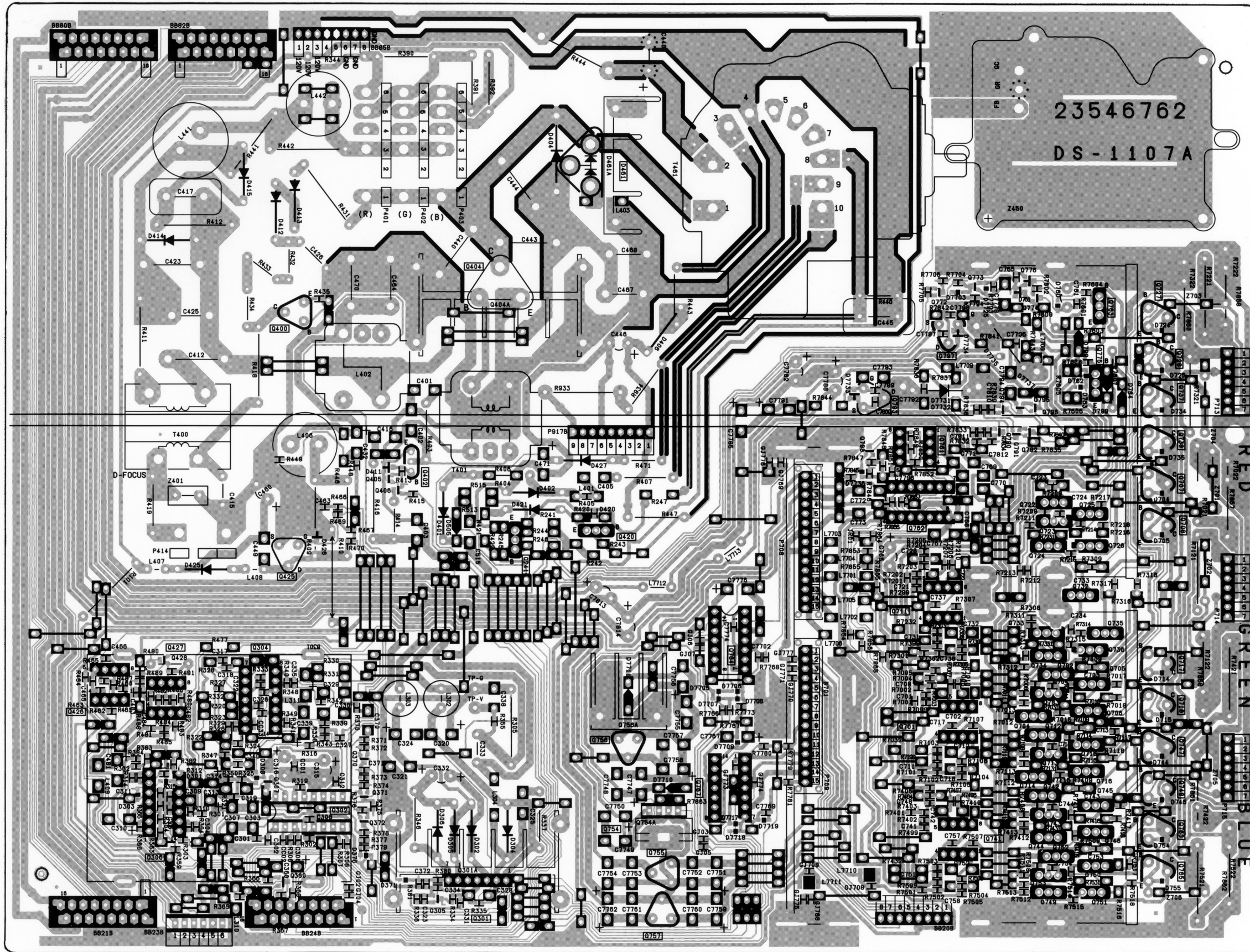
PC BOARDS LAYOUT TOP VIEW



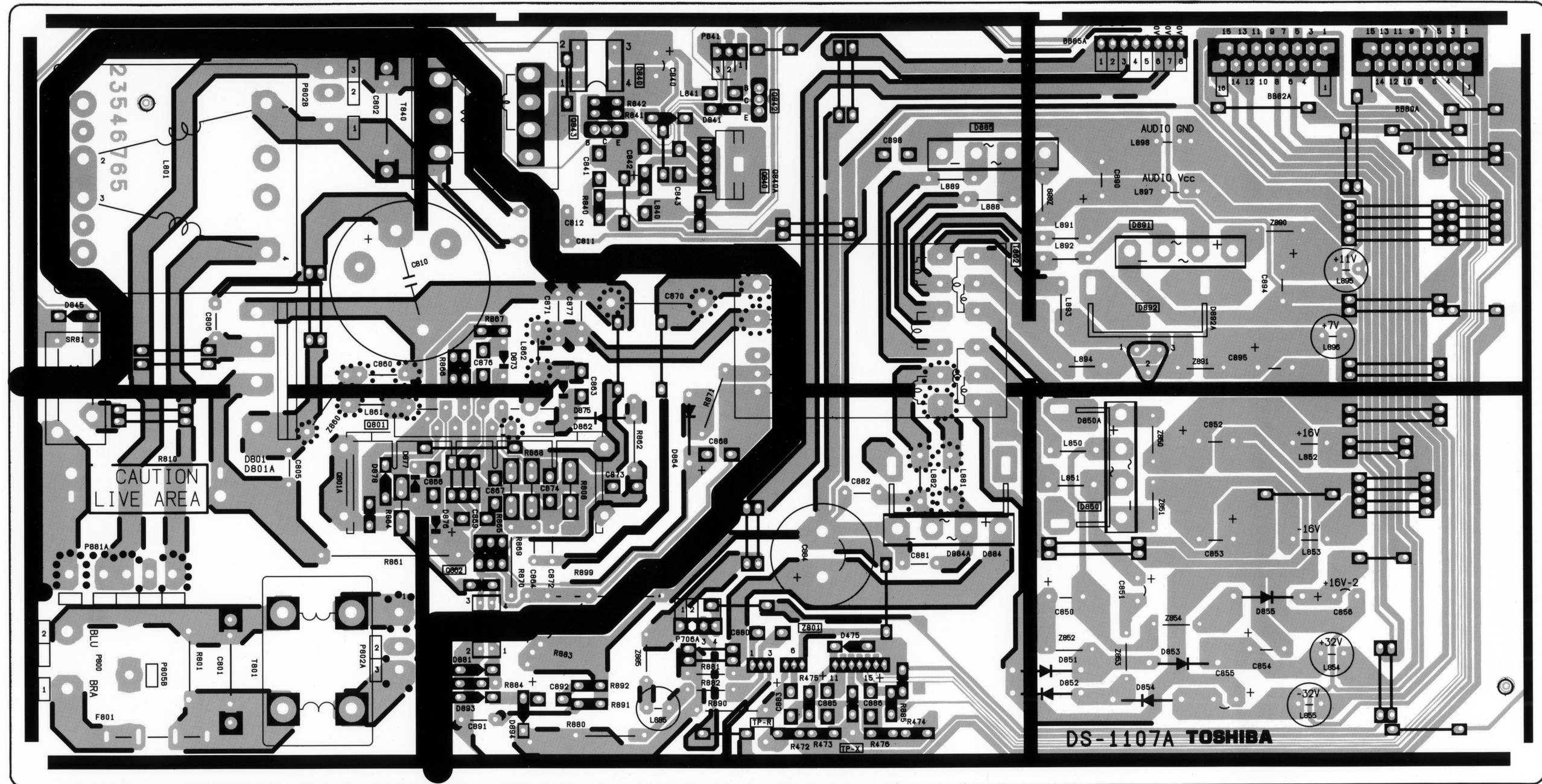
SIGNAL BOARD PD0128H (42")
SIGNAL BOARD PD0128L (50")
BOTTOM (FOIL) SIDE



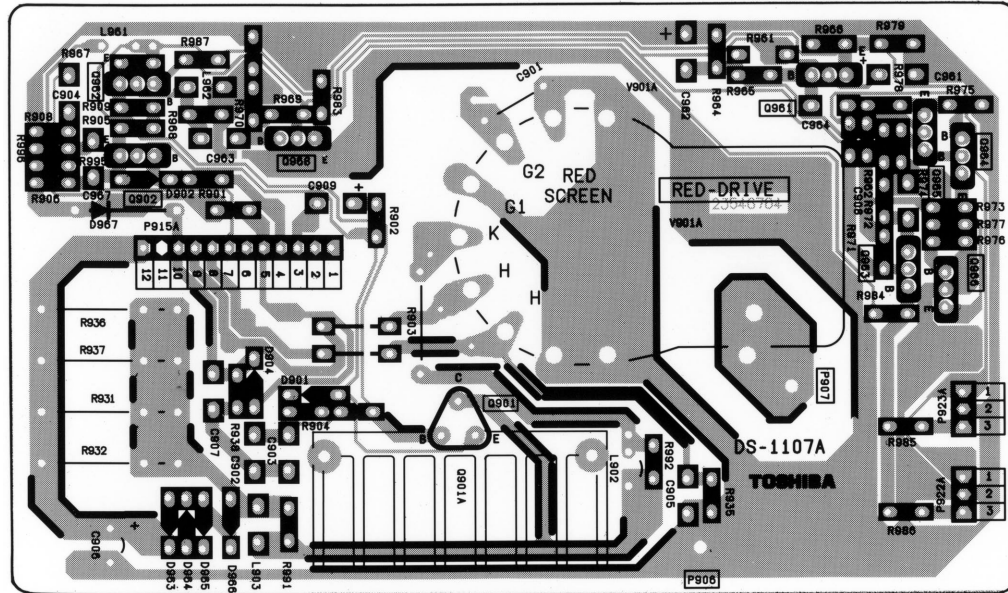
DEF/POWER BOARD PD0129G (42")
 DEF/POWER BOARD PD0129H (50")
 BOTTOM (FOIL) SIDE



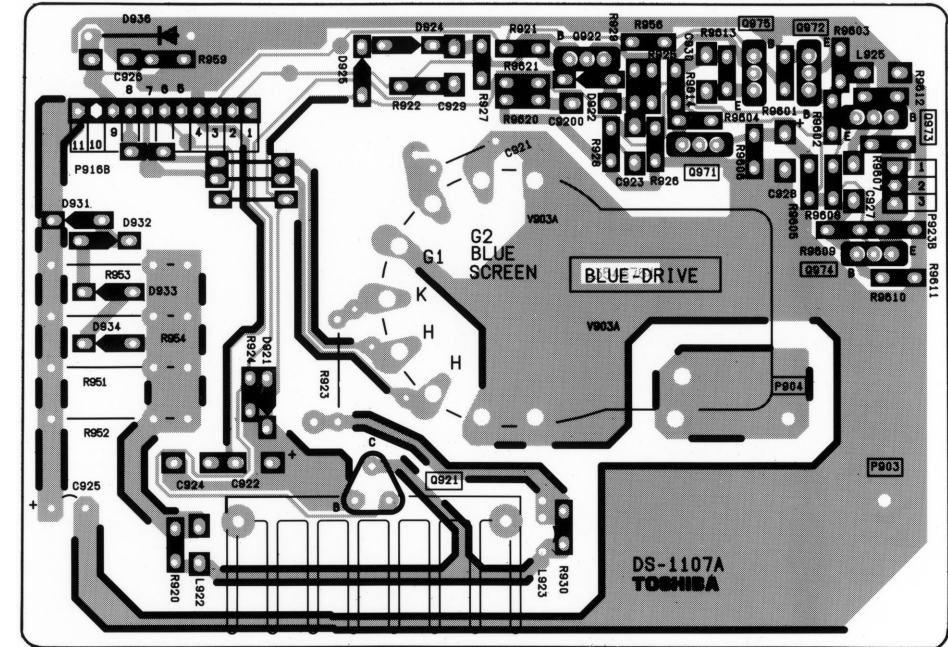
MAIN/POWER BOARD PD0132C
 BOTTOM (FOIL) SIDE



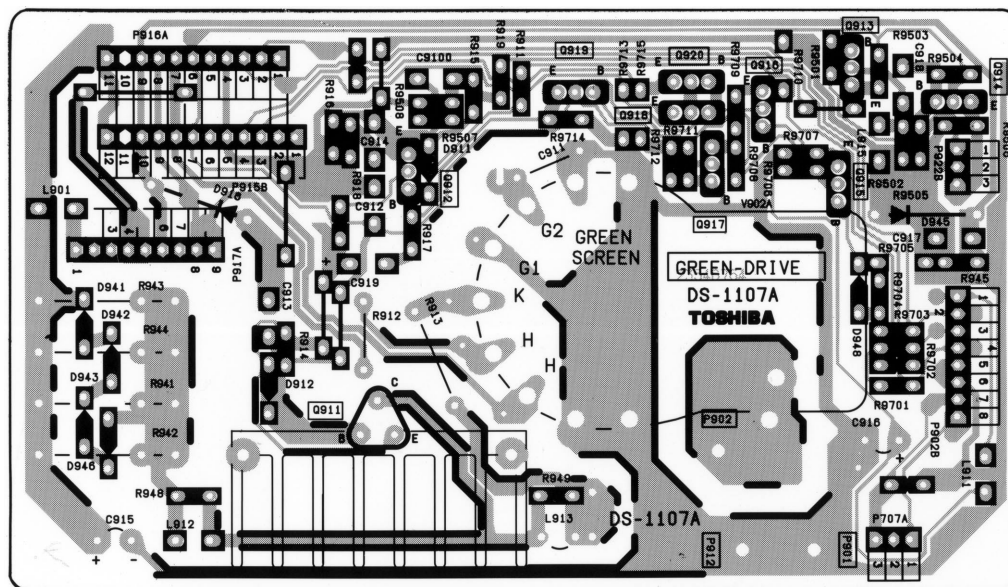
CRT-D RED BOARD PD0131B-1
BOTTOM (FOIL) SIDE



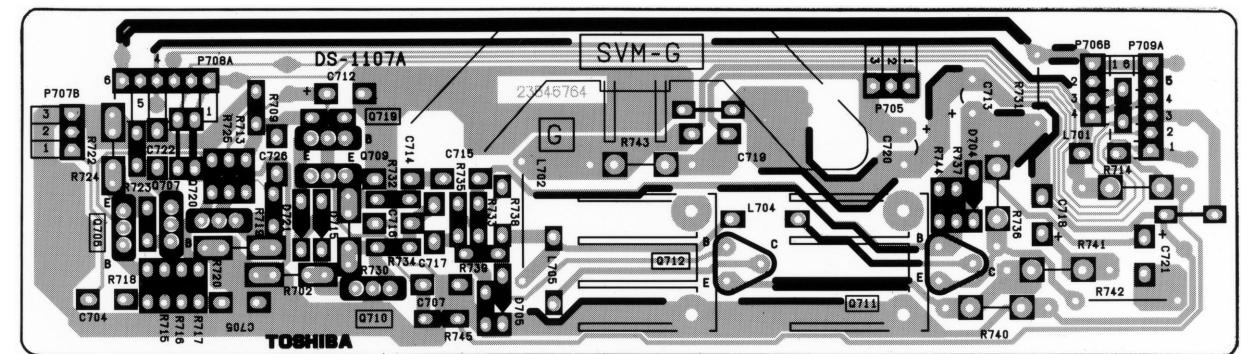
CRT-D BLUE BOARD PD0131B-3
BOTTOM (FOIL) SIDE



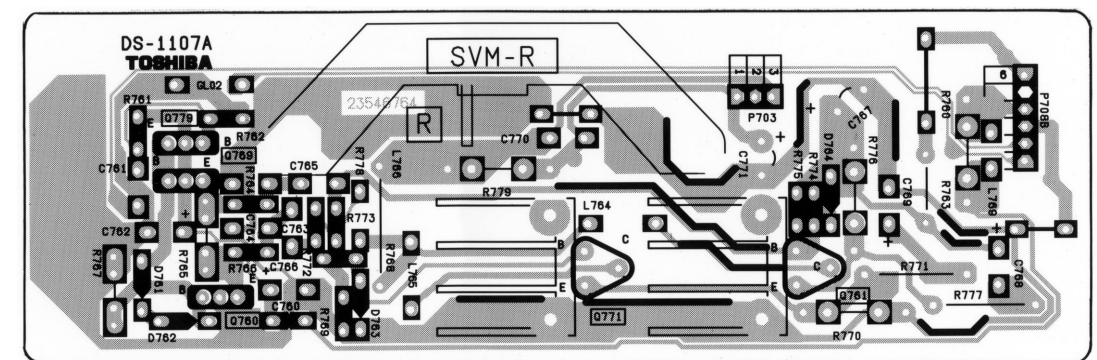
CRT-D GREEN BOARD PD0131B-2
BOTTOM (FOIL) SIDE



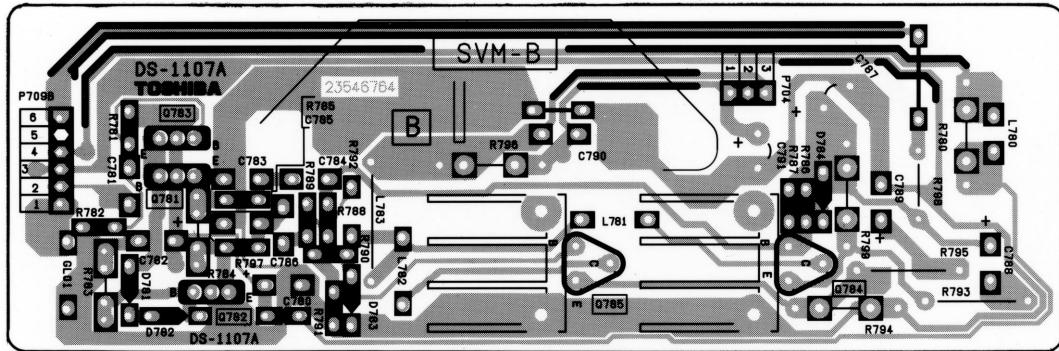
SVM GREEN BOARD PD0131B-4
BOTTOM (FOIL) SIDE



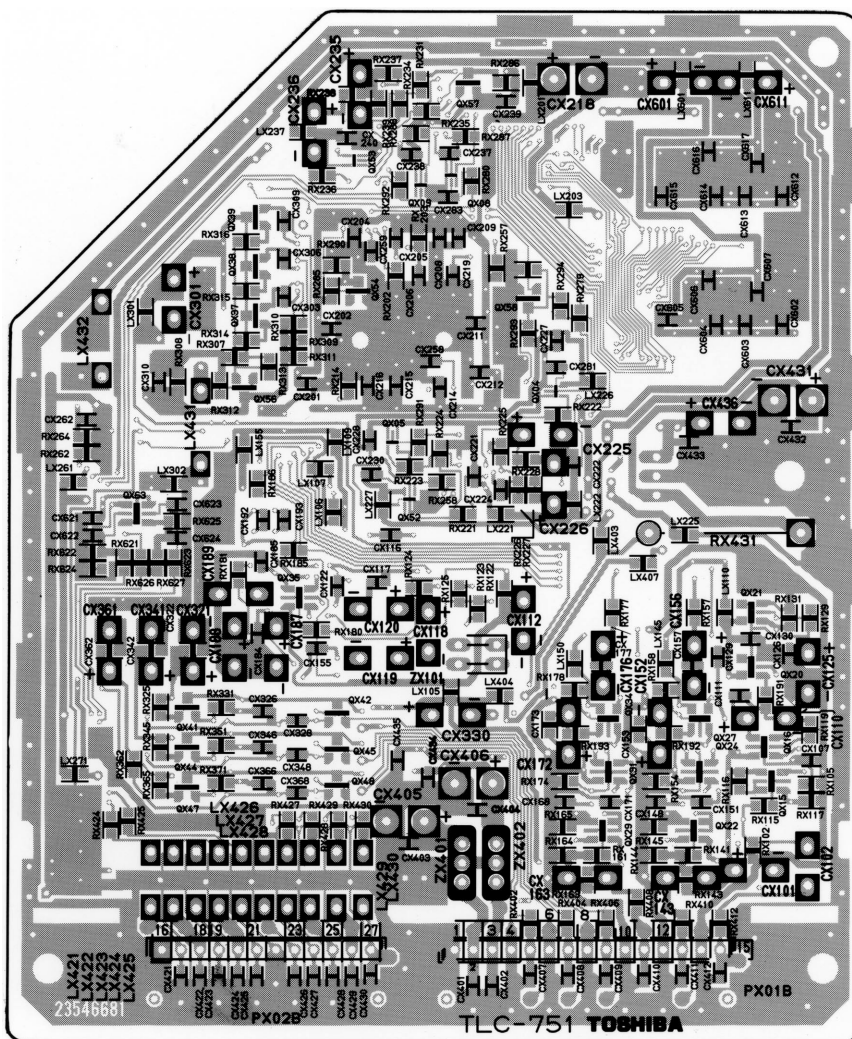
SVM RED BOARD PD0131B-5
BOTTOM (FOIL) SIDE



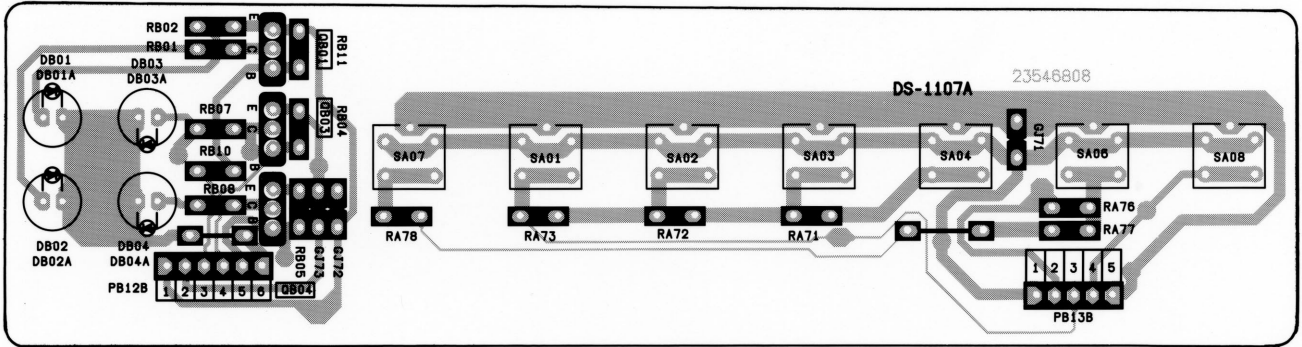
SVM BLUE BOARD PD0131B-6
BOTTOM (FOIL) SIDE



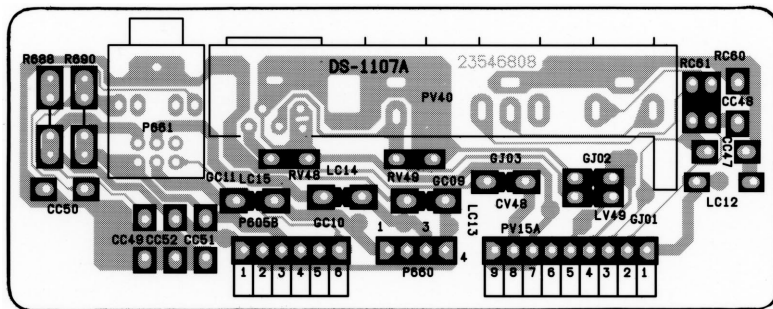
DFS BOARD PB9954
BOTTOM (FOIL) SIDE



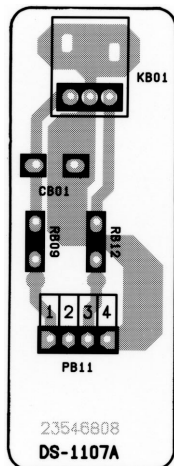
FRONT IN BOARD PD0208A-1
BOTTOM (FOIL) SIDE



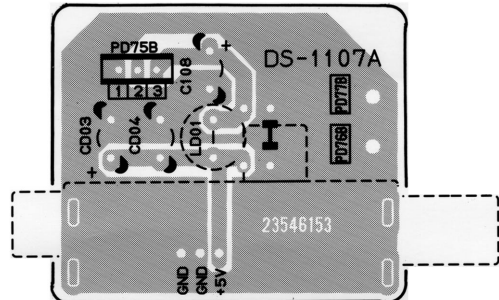
KEY-IND BOARD PD0208A-3
BOTTOM (FOIL) SIDE



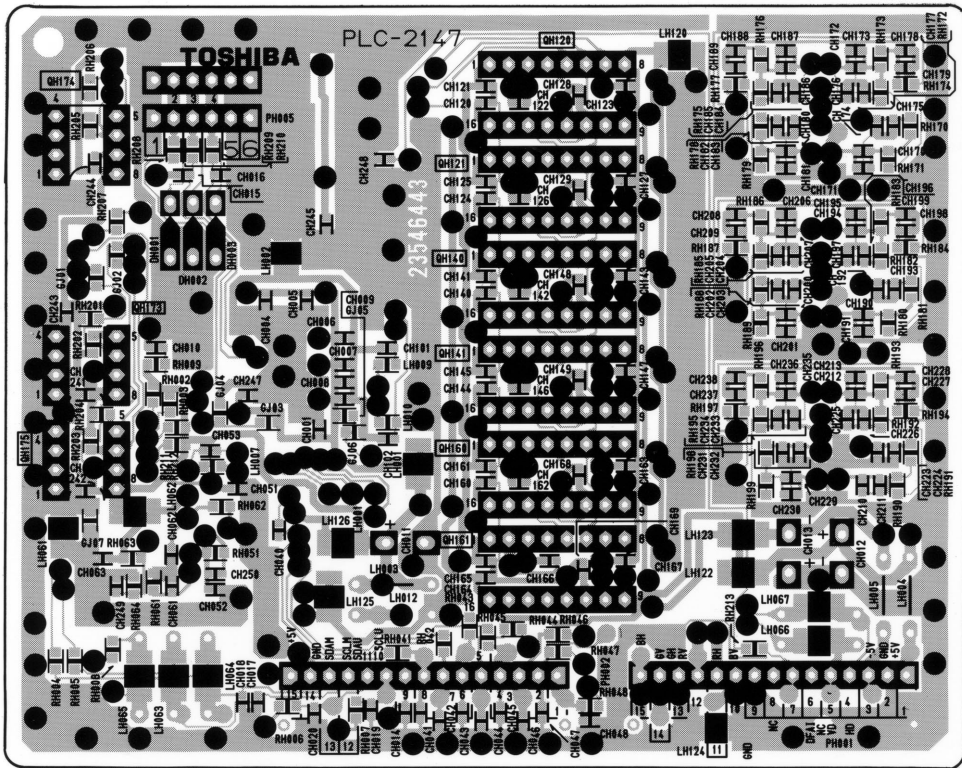
RMT IN BOARD PD0208A-3
BOTTOM (FOIL) SIDE



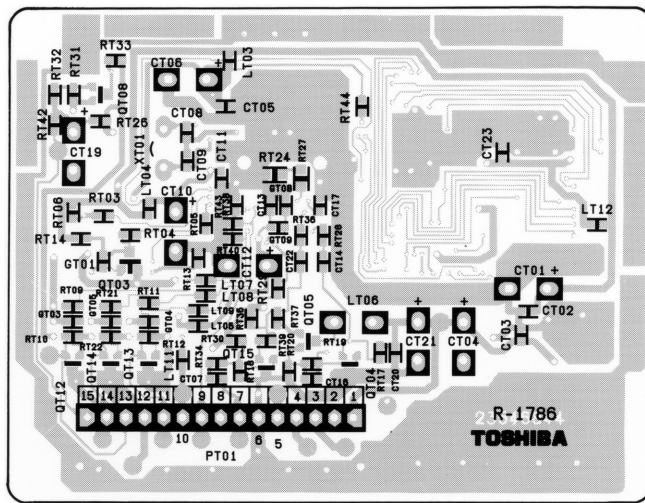
ANT DIVI. BOARD PB9069B
BOTTOM (FOIL) SIDE



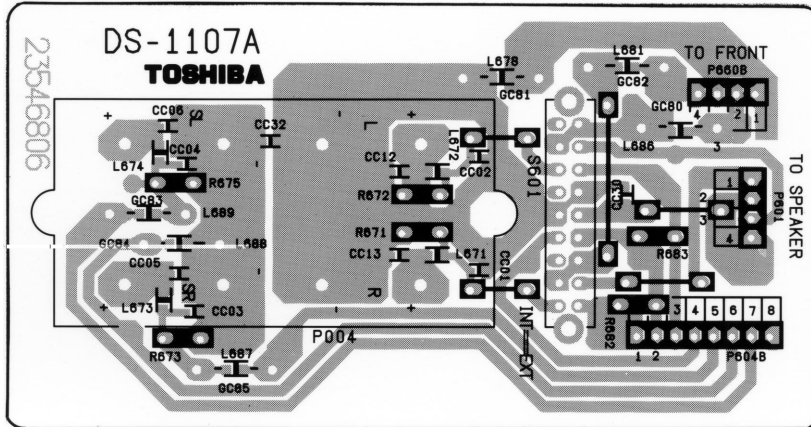
**D-CONV BOARD PB9486G (42")
D-CONV BOARD PB9486H (50")
BOTTOM (FOIL) SIDE**



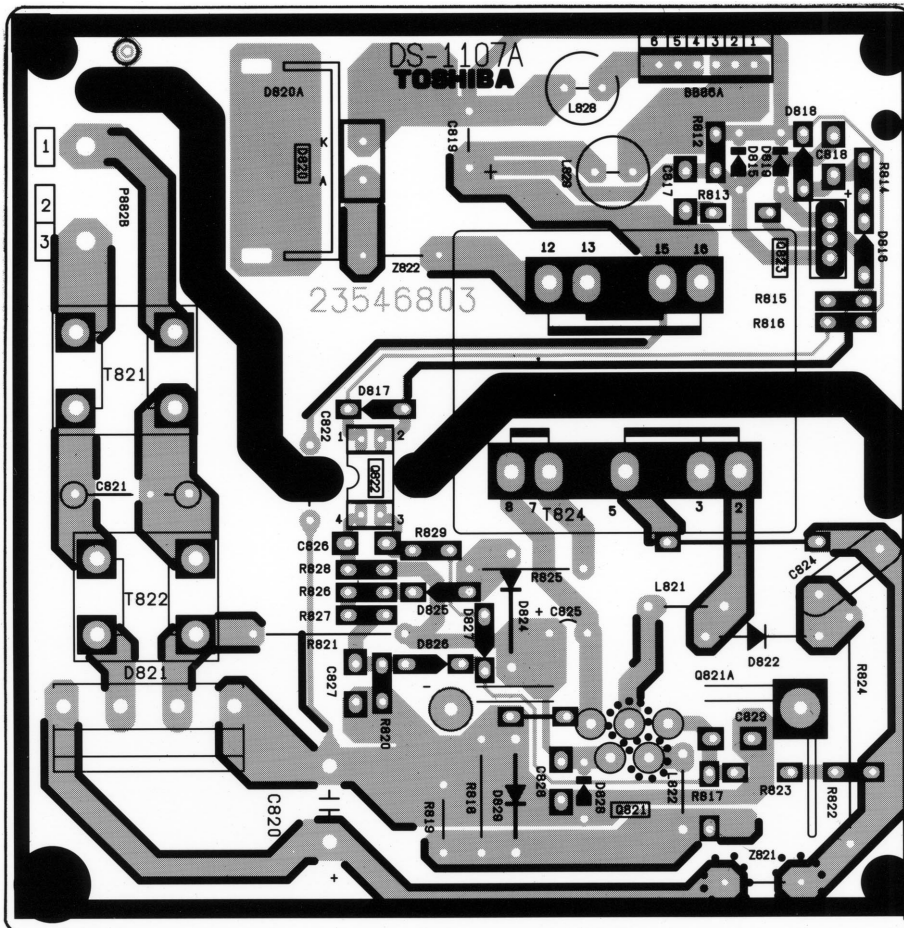
**TEXT-P2 BOARD PD0267
BOTTOM (FOIL) SIDE**



EXT-SP BOARD PD0206A
BOTTOM (FOIL) SIDE

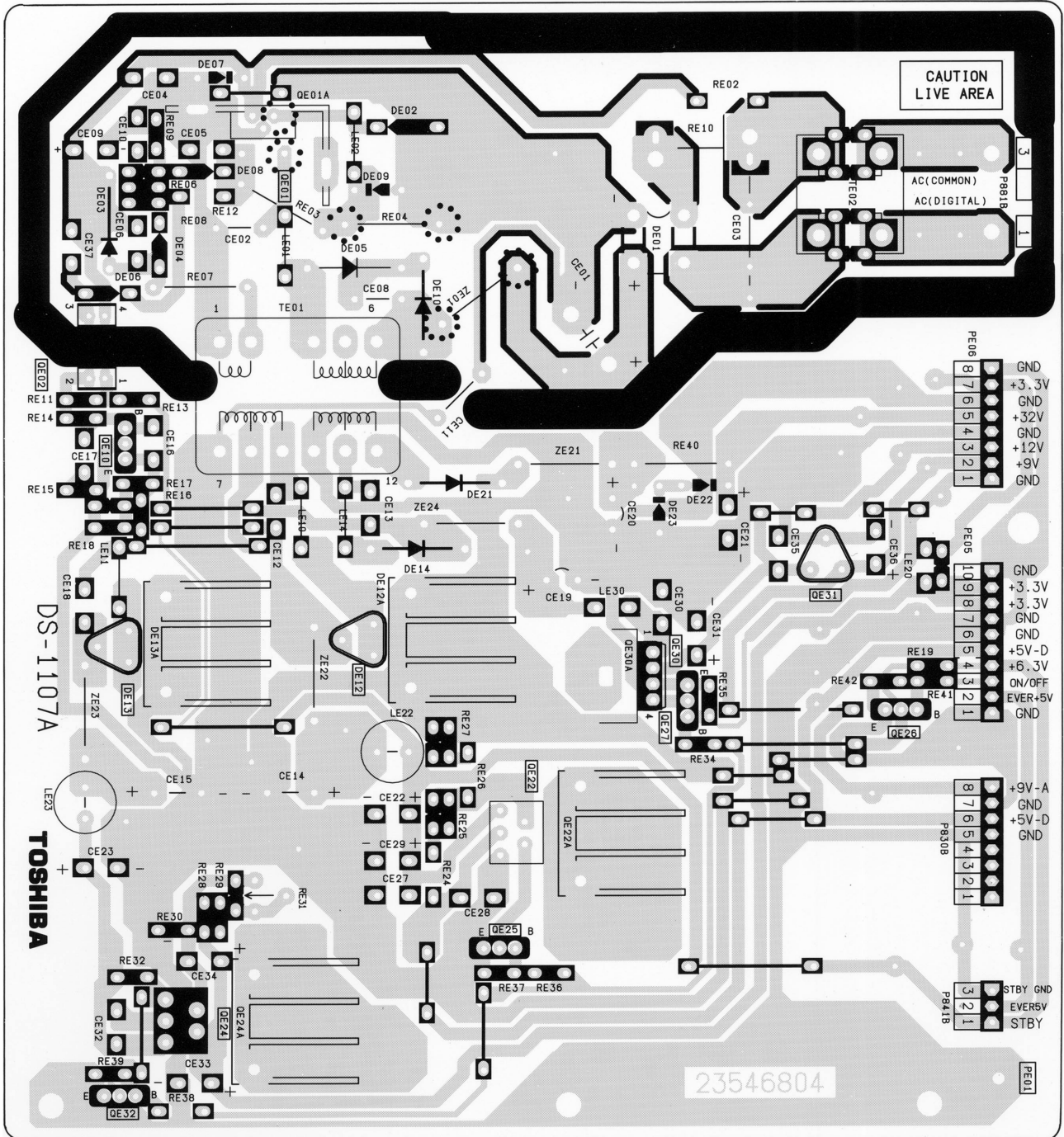


AC3 POWER BOARD PD0203A
BOTTOM (FOIL) SIDE



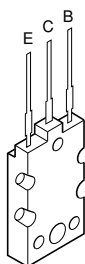
IDTV-POWER BOARD PD0204B

BOTTOM (FOIL) SIDE

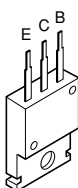


TERMINAL VIEW OF TRANSISTORS

① 2SD2253
(old)
2SC5243



② 2SC3852
2SD1763A
2SC1569
2SC4544
2SA1788
2SA1306
2SA1186A



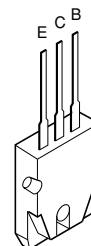
③ 2SC752GTM
2SC2482
2SC2655
2SC4721P



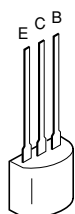
④ 2SC752
2SA562TM
2SA1015
2SC1815
2SC2878
2SC1740S
2SC2120
2SA9335



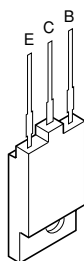
⑤ 2SA1788



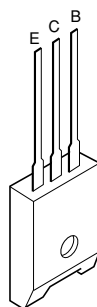
⑥ RN2203
RN2201
RN2004
RN1203
RN1204
RN2204
RN1205
RN1202
RN1201



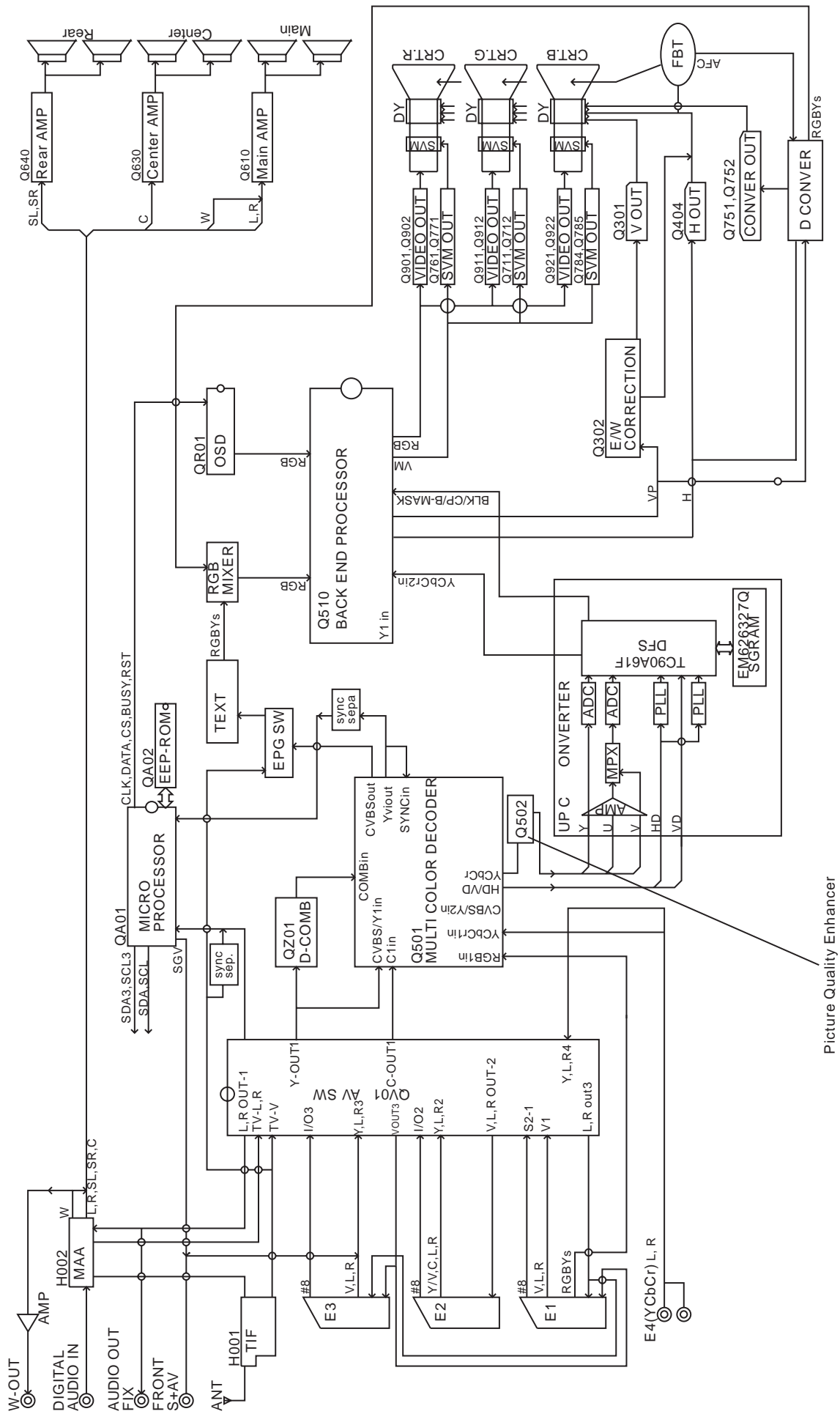
⑦ 2SD1554
2SD2253
2SD1556
2SC5143
2SD2553



⑧ ON4409



CIRCUIT BLOCK DIAGRAM



Picture Quality Enhancer

SPECIFICATIONS (Representative: 42WT29B)

Rated voltage		AC 220 V – 240 V, 50/60 Hz					
Dimensions (Width × Height × Depth)		1004 mm × 1161 mm × 415 mm					
Mass		51.1 kg					
Screen size		Type 42					
Television system (Aerial input)	Channel coverage	System	Channel	VHF	UHF	CATV	
		PAL B/G	CCIR	2 – 12	21 – 69	X ~ Z+2, S1 ~ S41	
		PAL I	UK	—	21 – 69	—	
SECAM L		CCIR	*	21 – 69	* VHF : B-C ; 1-6, B-Q, 71-86		
		SECAM D/K	OIRT	1 – 12	21 – 69	X1 ~ X19	
	Special RF signal	Colour system	Sound system				
		4.43NTSC	5.5/6.0/6.5 MHz				
		PAL 60Hz	5.5/6.0/6.5 MHz				
Colour system		PAL/SECAM/4.43NTSC/3.58NTSC					
Sound output		14 W + 14 W (Main), 20 W (Center), 10 W + 10 W (Rear)					
Accessories		<ul style="list-style-type: none"> • Remote control unit × 1 • Battery (R03, AAA) × 2 					

* Please refer to owner's manual in detail.

TOSHIBA CORPORATION
1-1, SHIBAURA 1-CHOME, MINATO-KU, TOKYO 105-8001, JAPAN